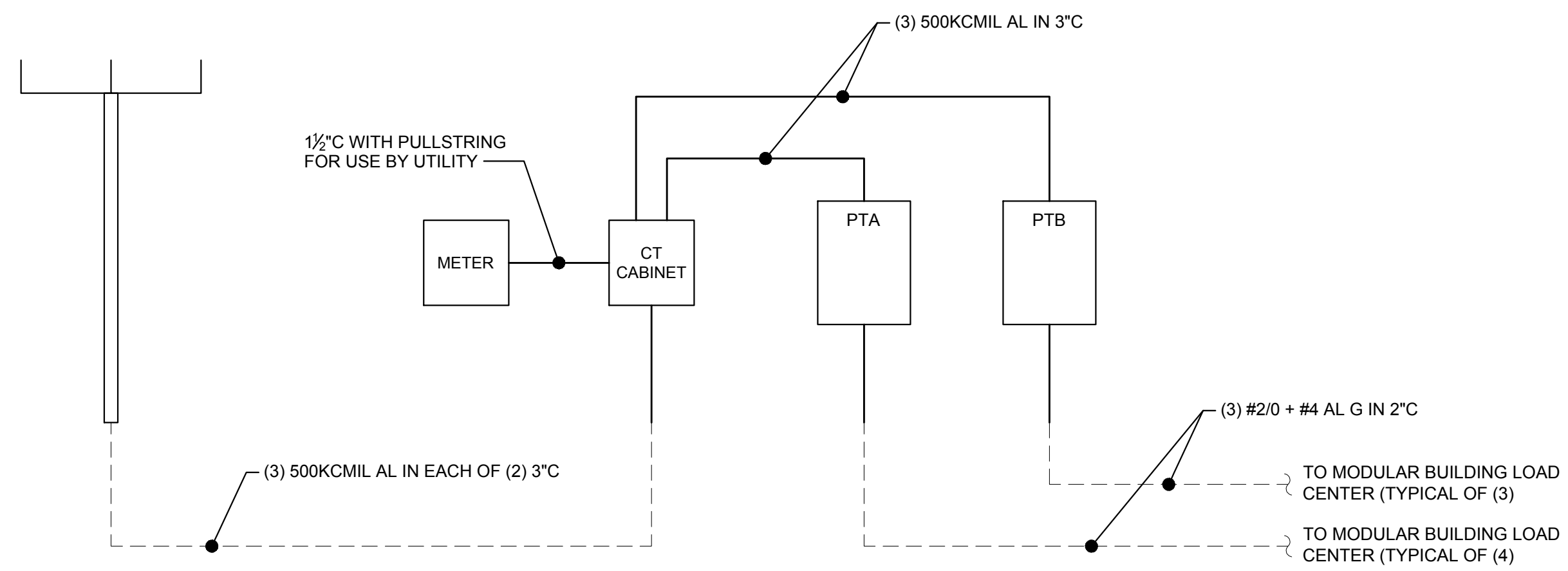


PANEL SCHEDULE ~ PTA						
VOLTAGE: 240/120V		MCB: 350A		AIC: 14KA		
1-PHASE, 3-WIRE						
CKT NO	BRKR SIZE	NO OF POLES	PH	CIRCUIT LOAD (KVA) CONNECTED		BRANCH CIRCUIT DESCRIPTION
				A	B	
1	150	2	A	10.02		MODULAR BUILDING LOADCENTER
3			B		9.12	
5	150	2	A	8.58		MODULAR BUILDING LOADCENTER
7			B		9.12	
9	150	2	A	10.02		MODULAR BUILDING LOADCENTER
11			B		9.12	
13	150	2	A	8.58		MODULAR BUILDING LOADCENTER
15			B		9.12	
17	100	2	A			PROVISION
19			B			
SUBTOTAL				37.20	36.48	
2						
4						
6						
8						
10						
12						
14						
16						
18						
20						
SUBTOTAL				0.00	0.00	

PANEL SCHEDULE ~ PTB						
VOLTAGE: 240/120V		MCB: 300A		AIC: 14KA		
1-PHASE, 3-WIRE						
CKT NO	BRKR SIZE	NO OF POLES	PH	CIRCUIT LOAD (KVA) CONNECTED		BRANCH CIRCUIT DESCRIPTION
				A	B	
1	150	2	A	10.02		MODULAR BUILDING LOADCENTER
3			B		9.12	
5	150	2	A	8.58		MODULAR BUILDING LOADCENTER
7			B		9.12	
9	150	2	A	10.02		MODULAR BUILDING LOADCENTER
11			B		9.12	
13	100	2	A	0.00		PROVISION
15			B		0.00	
17	100	2	A			PROVISION
19			B			
SUBTOTAL				28.62	27.36	
2						
4						
6						
8						
10						
12						
14						
16						
18						
20						
SUBTOTAL				0.00	0.00	

D1 PANEL SCHEDULES
NO SCALE

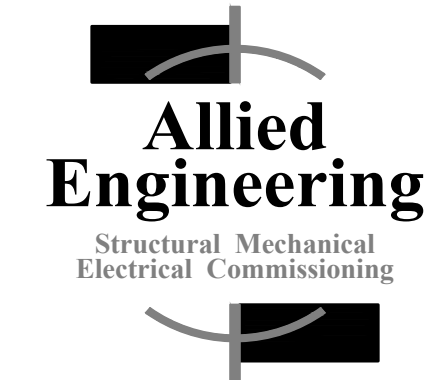


1. PROVIDE GROUNDING ELECTRODE SYSTEM AT SERVICE EQUIPMENT PER NEC 250 USING (3) 1/2"x10' GROUND RODS.
2. LOAD CENTERS WITHIN MODULAR BUILDINGS ARE PROVIDED WITH THE BUILDINGS.

A1 POWER RISER DIAGRAM
NO SCALE



75 York Street,
Portland, Maine 04101
simonsarchitects.com
207.772.4656



160 Veranda Street
Portland, Maine 04103
T: 207.221.2260
F: 207.221.2266
Web: www.allied-eng.com

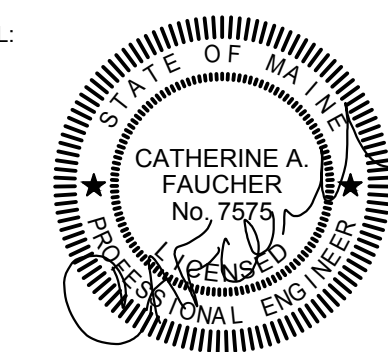
Allied Project No: 15051
Cad File: 15051E.dwg

PROJECT NAME:

**WAYNFLETE
LOWER SCHOOL**
ADDITION & RENOVATIONS

WAYNFLETE SCHOOL
360 SPRING STREET
PORTLAND, MAINE 04102

SEAL:



THIS DRAWING IS THE PROPERTY OF SCOTT SIMONS ARCHITECTS (SSA) AND IS NOT TO BE COPIED OR REPRODUCED IN PART OR WHOLE.
2015 © SCOTT SIMONS ARCHITECTS, LLC

REVISION:

1	DATE
2	DATE
3	DATE
4	DATE
5	DATE
6	DATE

DATE OF ISSUE: _____
PROJECT NUMBER: _____
STATUS: _____

**MODULAR BUILDINGS
ELECTRICAL SCHEDULES
AND DETAILS**

E500M

ISSUED FOR PERMIT ~ NOT FOR CONSTRUCTION ~ APRIL 28, 2017

N:\Projects\2015\15051 - WayneFlete School\00 Drawing Files\Temporary Modular\15051E-TRAILERS.dwg Apr 28, 2017 - 10:48am