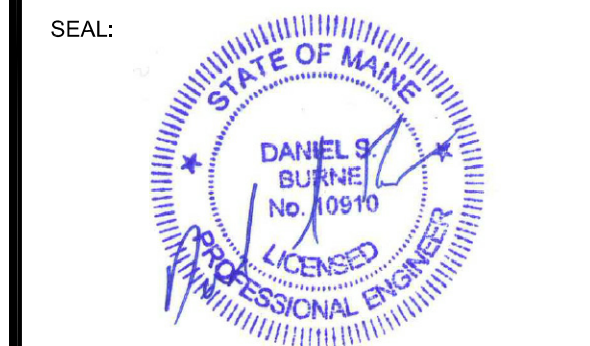


PROJECT NAME:
**WAYNFLETE
LOWER SCHOOL
ADDITION & RENOVATIONS**

WAYNFLETE SCHOOL
360 SPRING STREET
PORTLAND, MAINE 04102



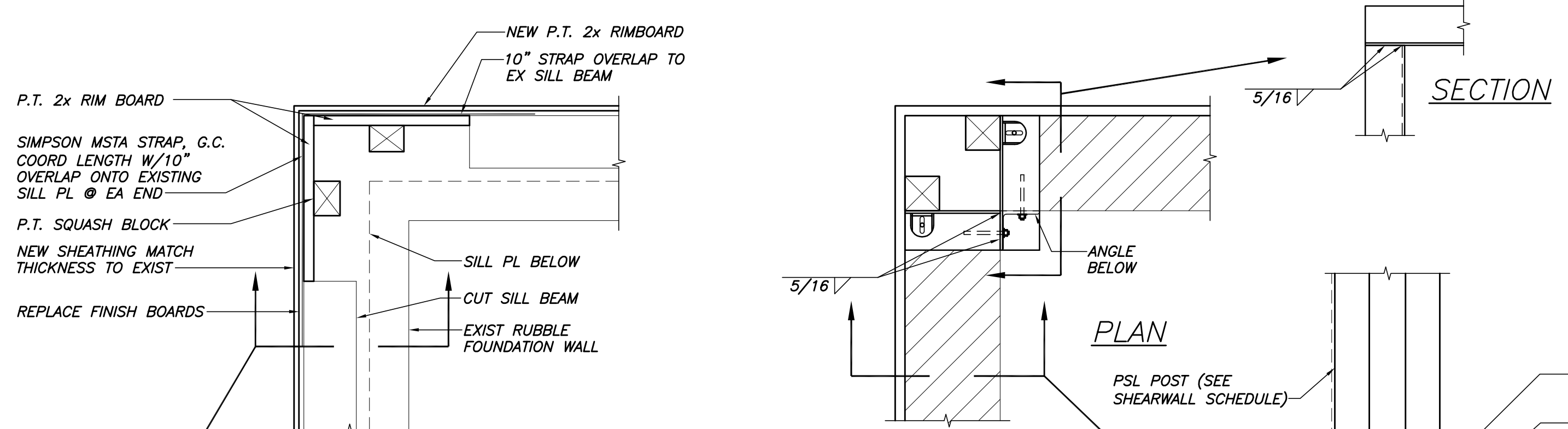
THIS DRAWING IS THE PROPERTY OF SCOTT SIMONS ARCHITECTS (SSA) AND IS NOT TO BE COPIED OR REPRODUCED IN PART OR WHOLE 2012 © SCOTT SIMONS ARCHITECTS, LLC

REVISION:
1 ADDENDUM 1 - GENERAL REVISIONS 01-30-2017

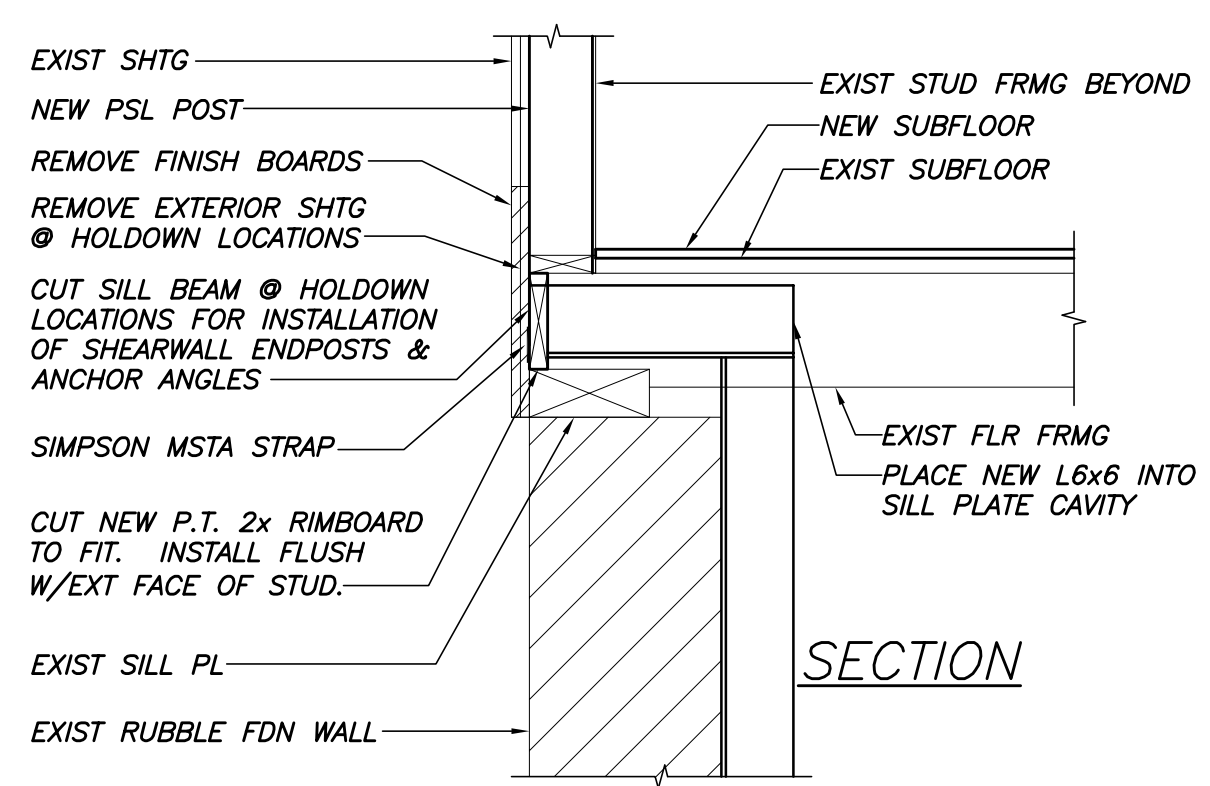
DATE OF ISSUE: 12 JANUARY 2017
PROJECT NUMBER: 3660
STATUS: ISSUED FOR BID

FRAMING SECTIONS & DETAILS

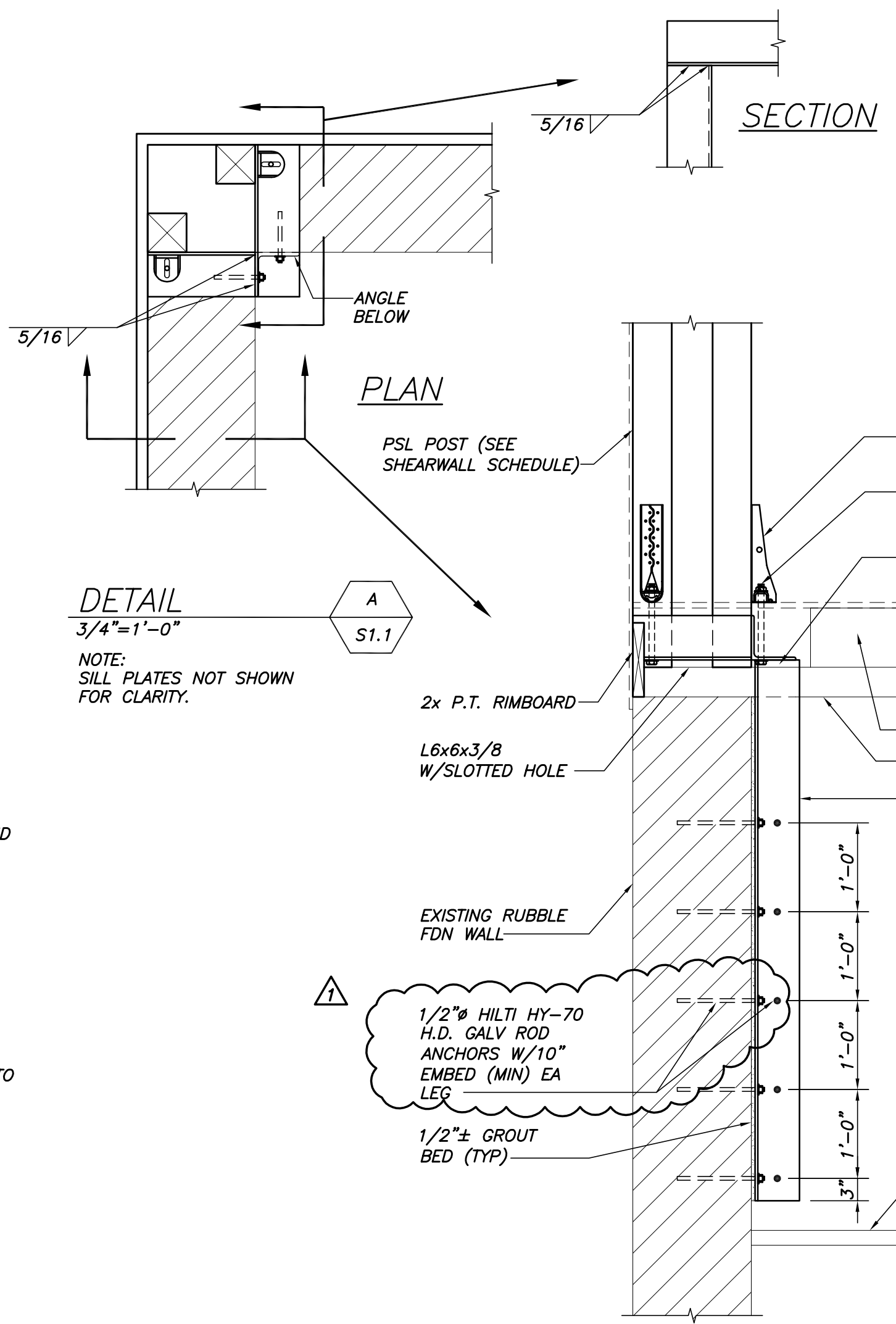
S3.6R



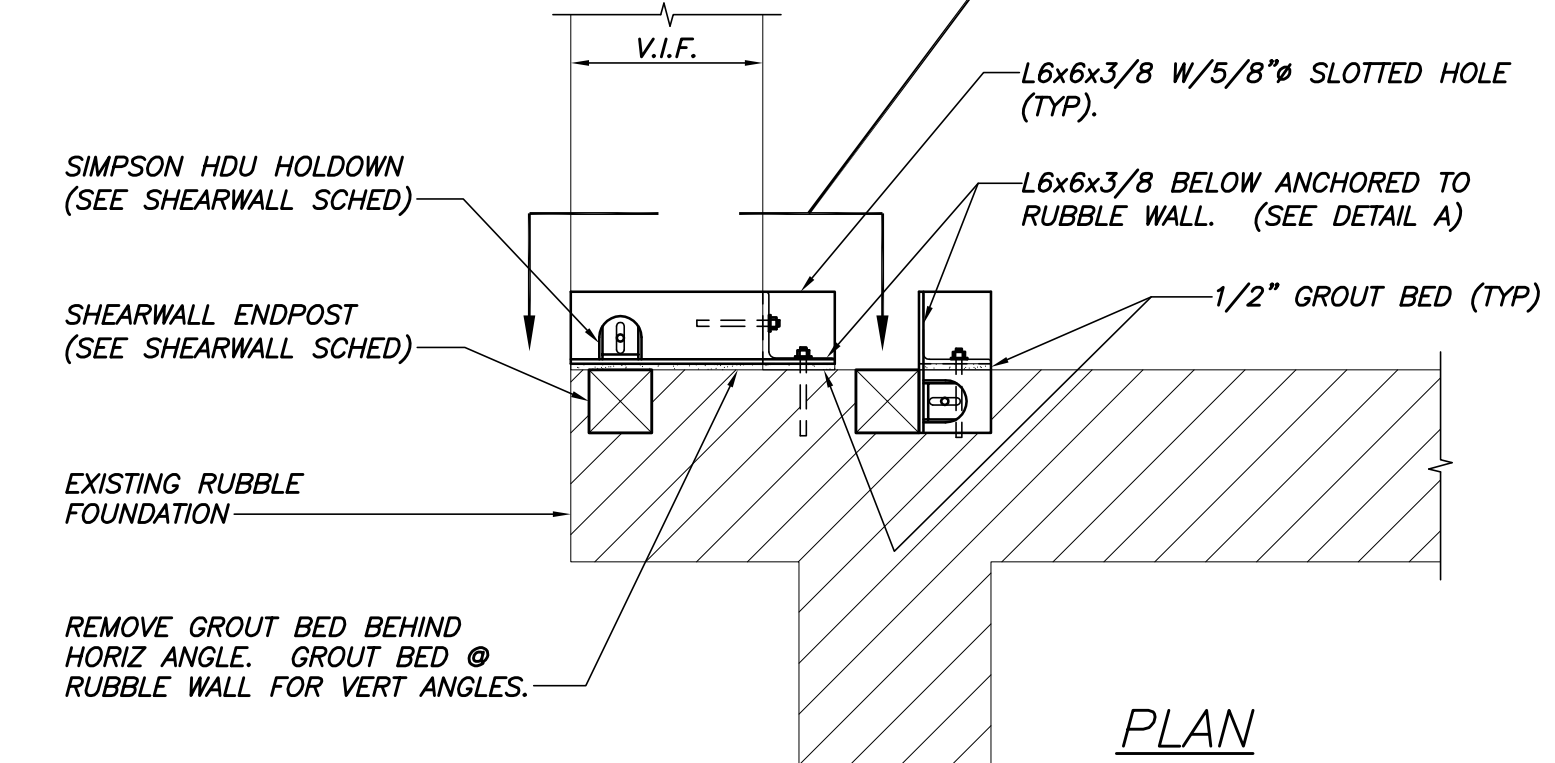
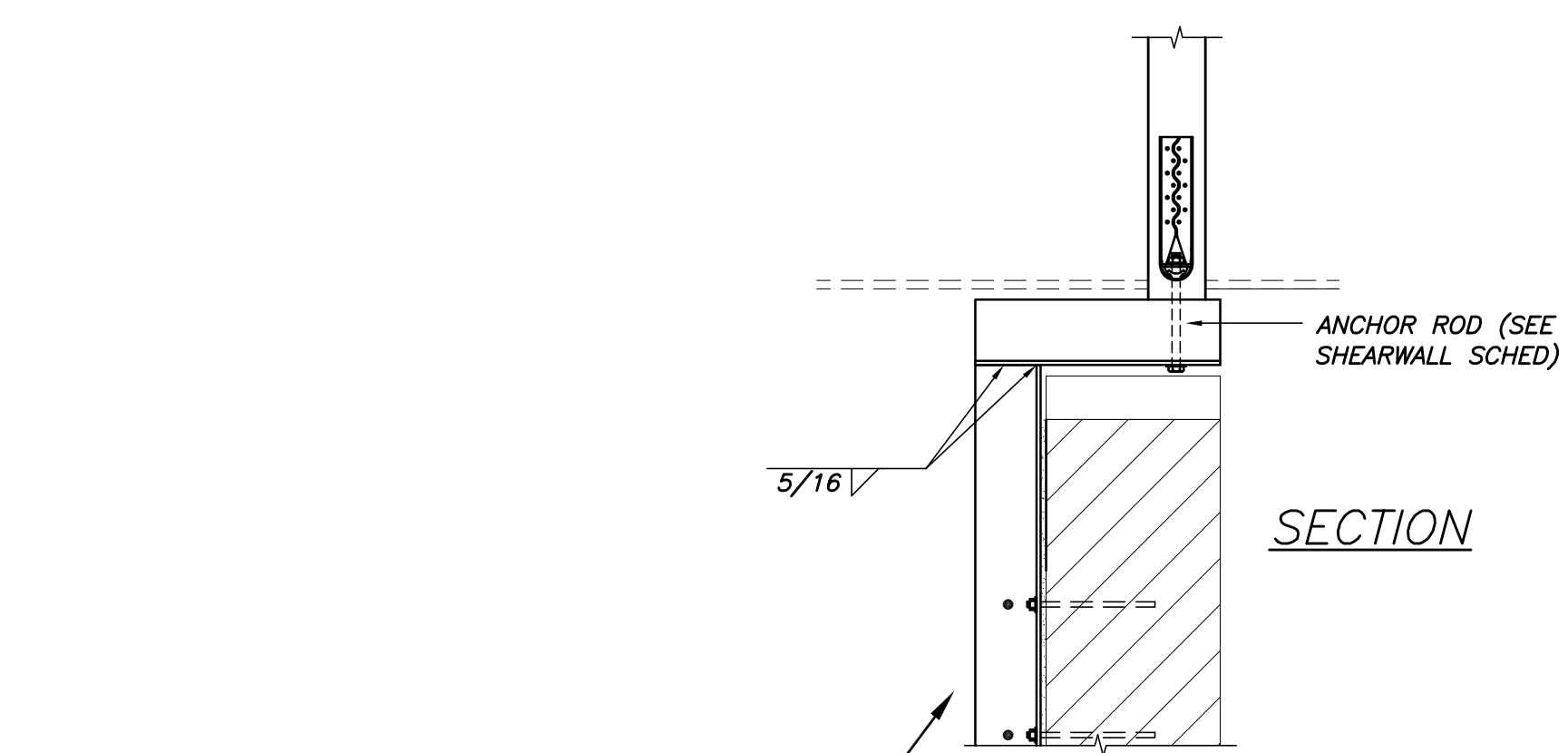
**TYPICAL SILL PLATE
MODIFICATIONS AT HOLDDOWN**



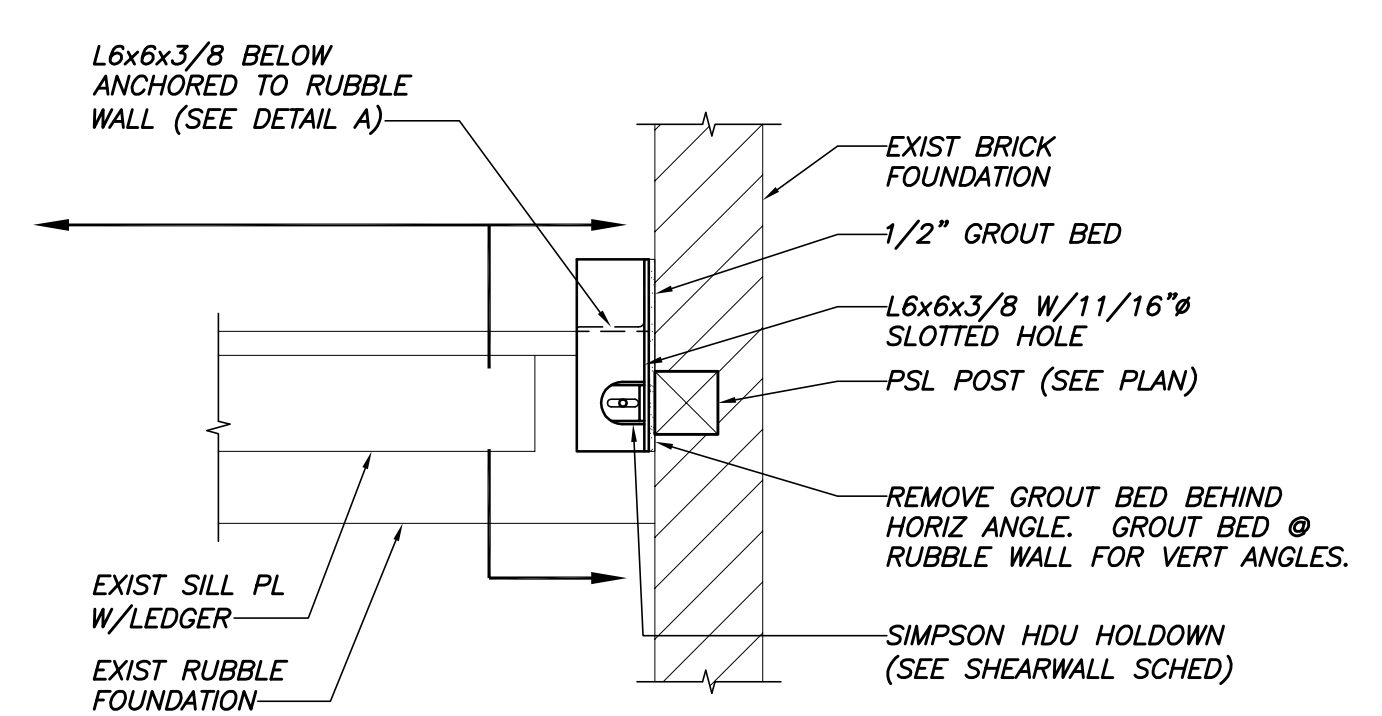
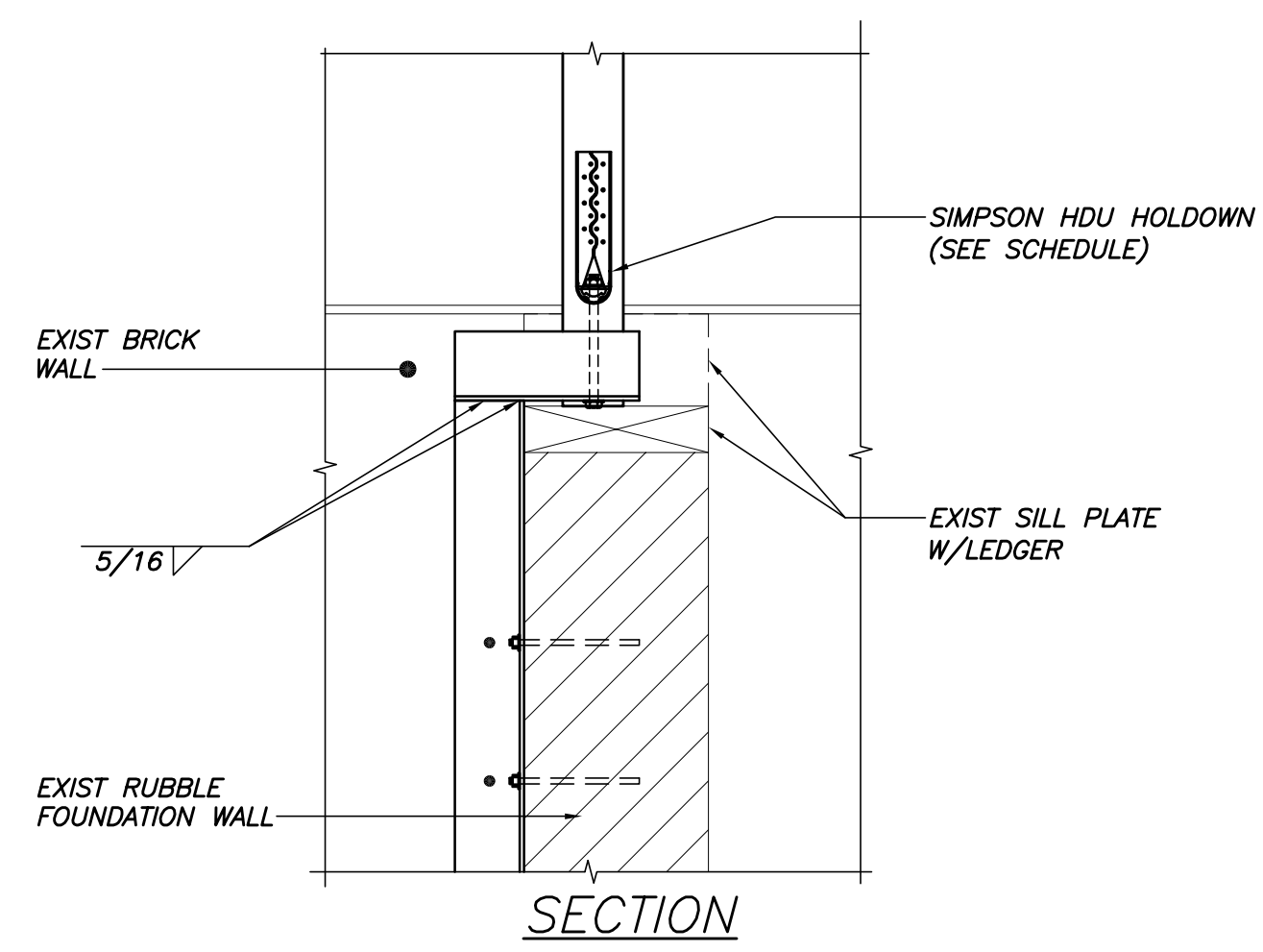
DETAIL A
3/4"=1'-0"
NOTE:
SILL PLATES NOT SHOWN FOR CLARITY.



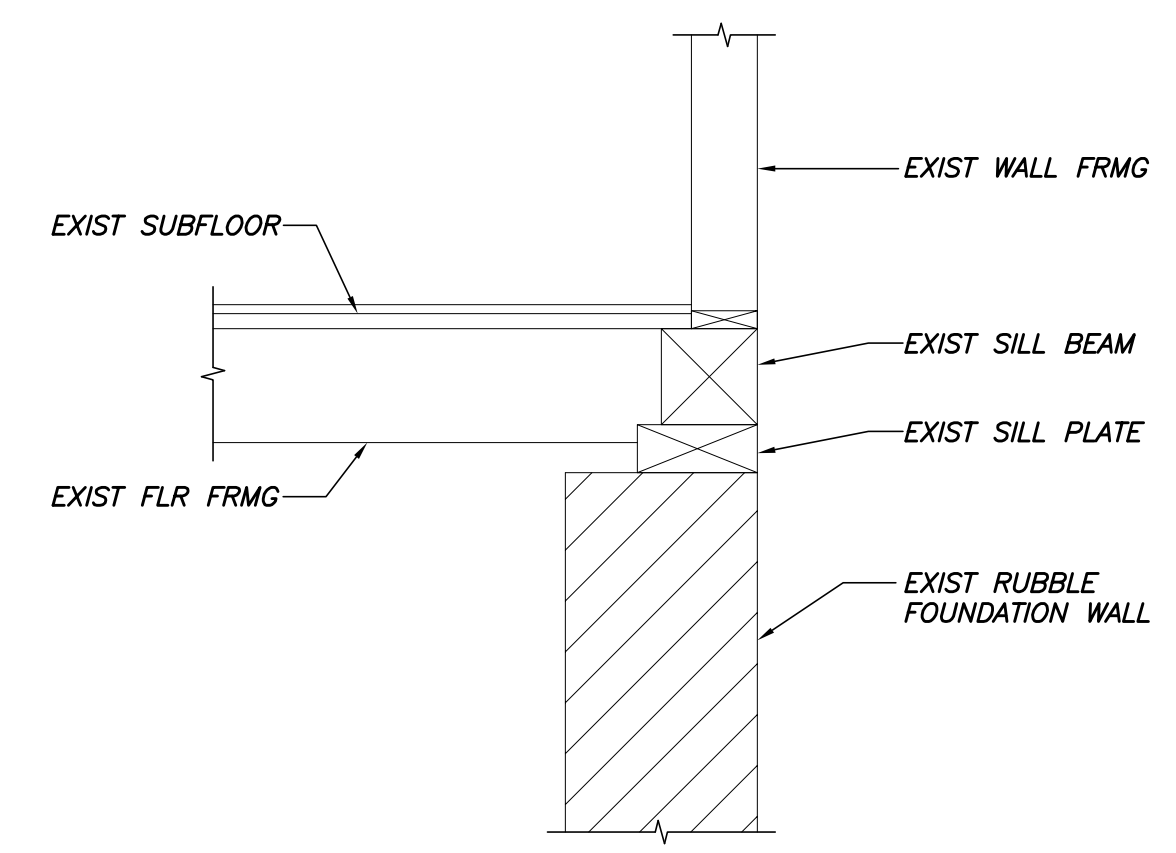
HOLDDOWN ANCHOR SECTION



DETAIL B
3/4"=1'-0"
S1.1



DETAIL C
3/4"=1'-0"
S1.1



TYP EXIST FIRST FLOOR FRAMING