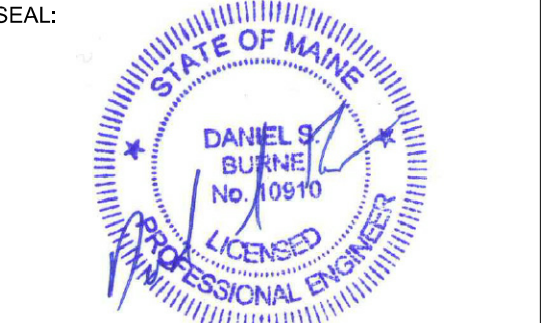


PROJECT NAME:  
**WAYNFLEET  
LOWER SCHOOL  
ADDITION & RENOVATIONS**

WAYNFLEET SCHOOL  
360 SPRING STREET  
PORTLAND, MAINE 04102



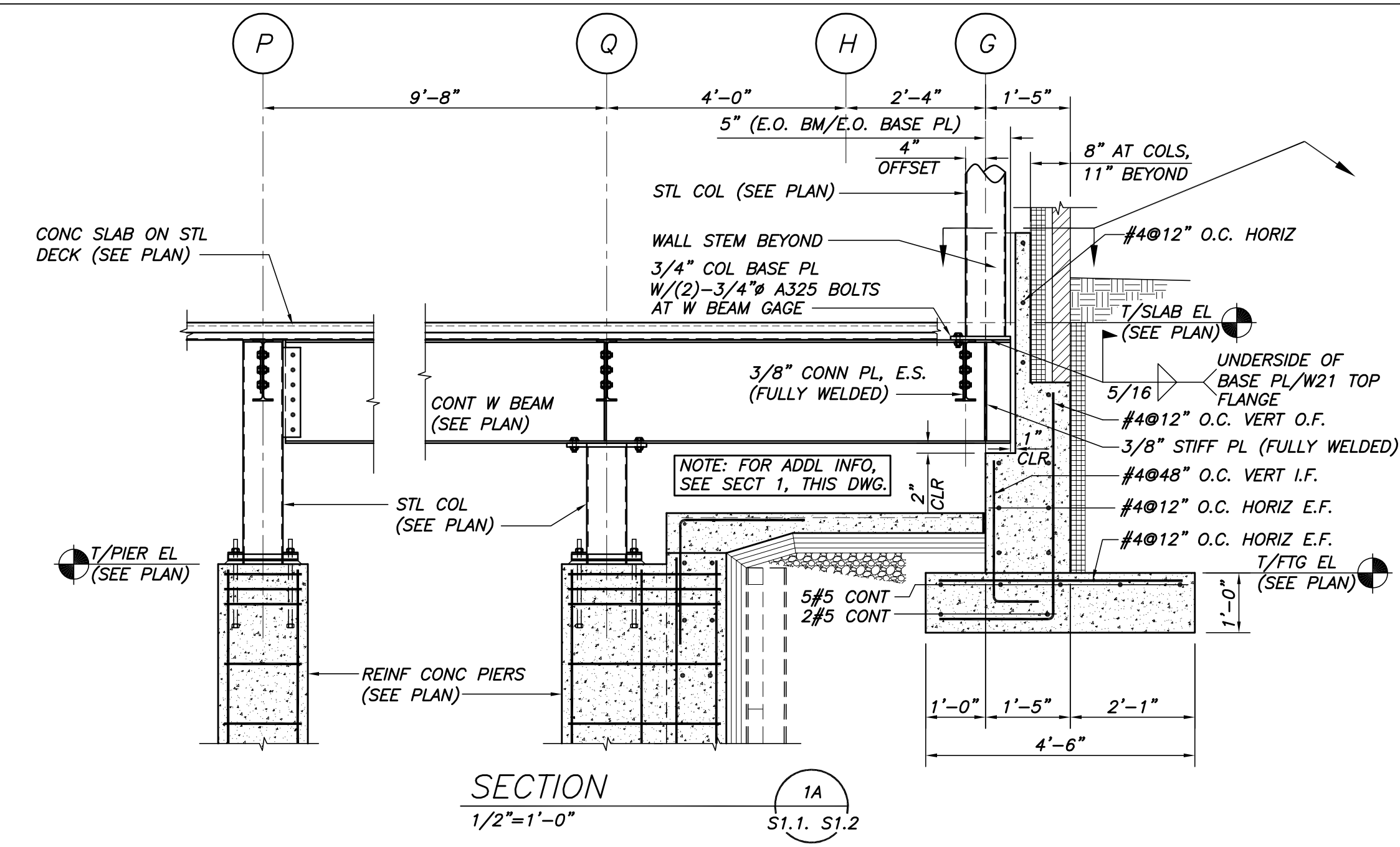
THIS DRAWING IS THE PROPERTY OF SCOTT SIMONS ARCHITECTS (SSA) AND IS NOT TO BE COPIED OR REPRODUCED IN PART OR WHOLE 2012 © SCOTT SIMONS ARCHITECTS, LLC

REVISION:  
1 ADDENDUM 1 - GENERAL REVISIONS 01-30-2017

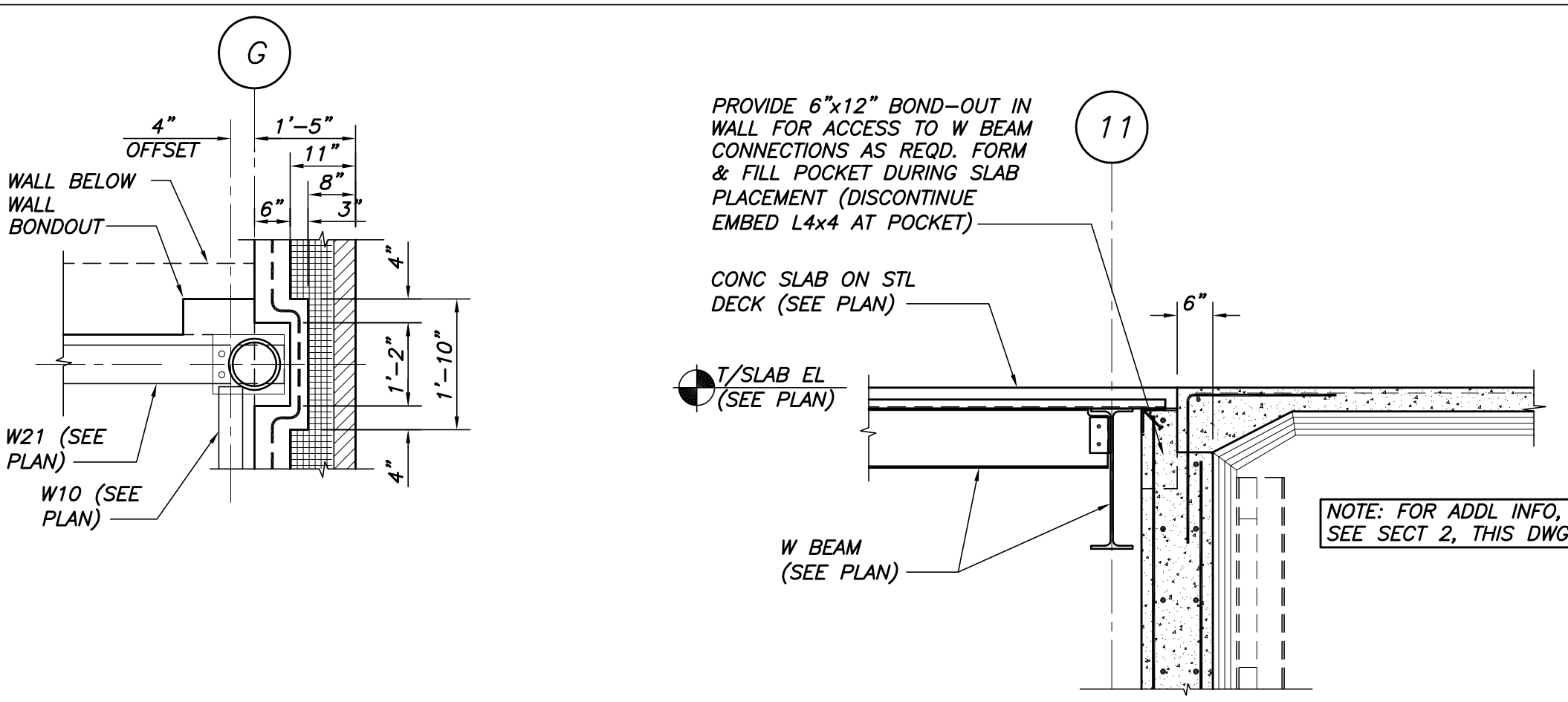
DATE OF ISSUE: 12 JANUARY 2017  
PROJECT NUMBER: 3660  
STATUS: ISSUED FOR BID

**FOUNDATION  
SECTIONS &  
DETAILS**

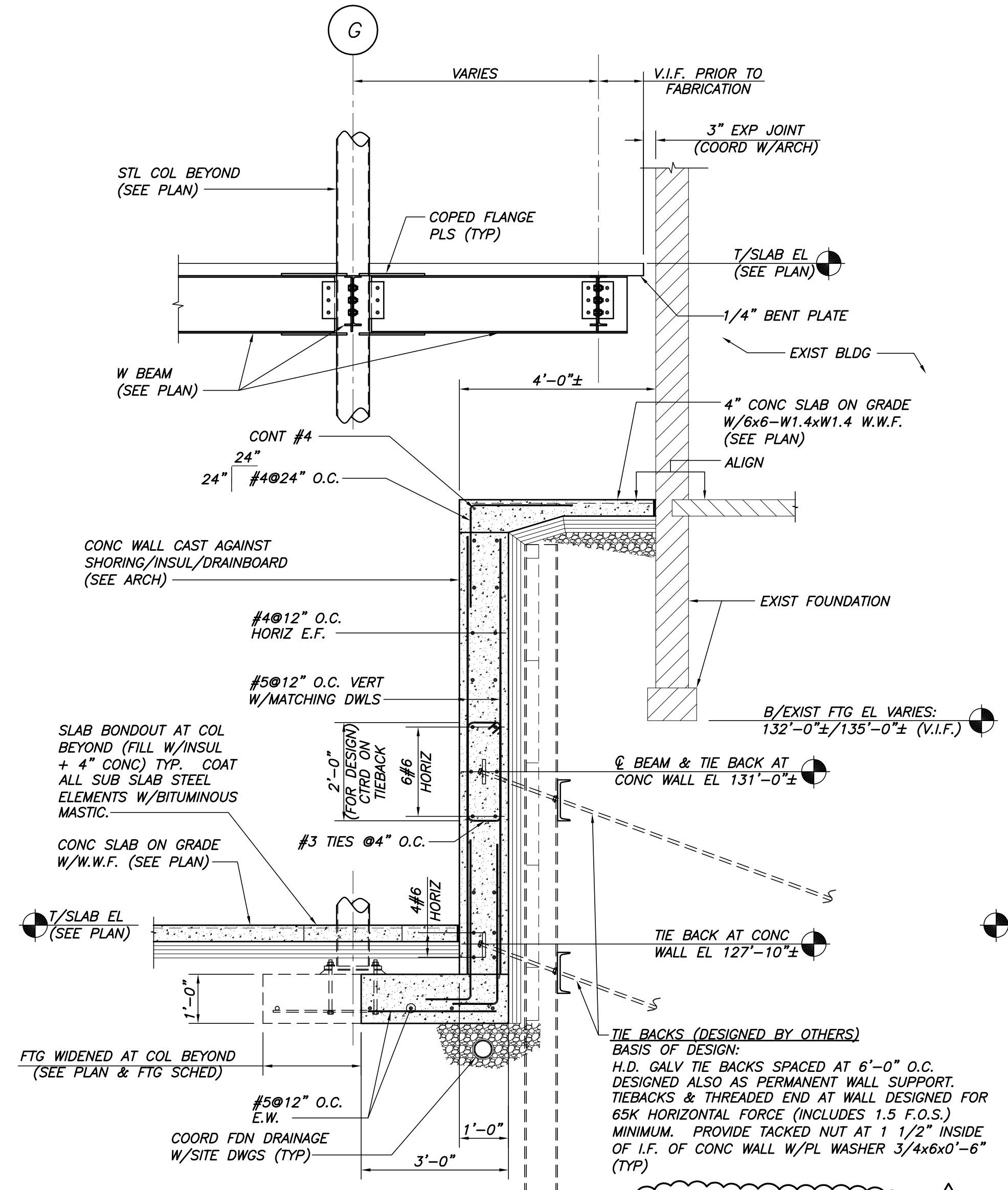
**S2.4R**



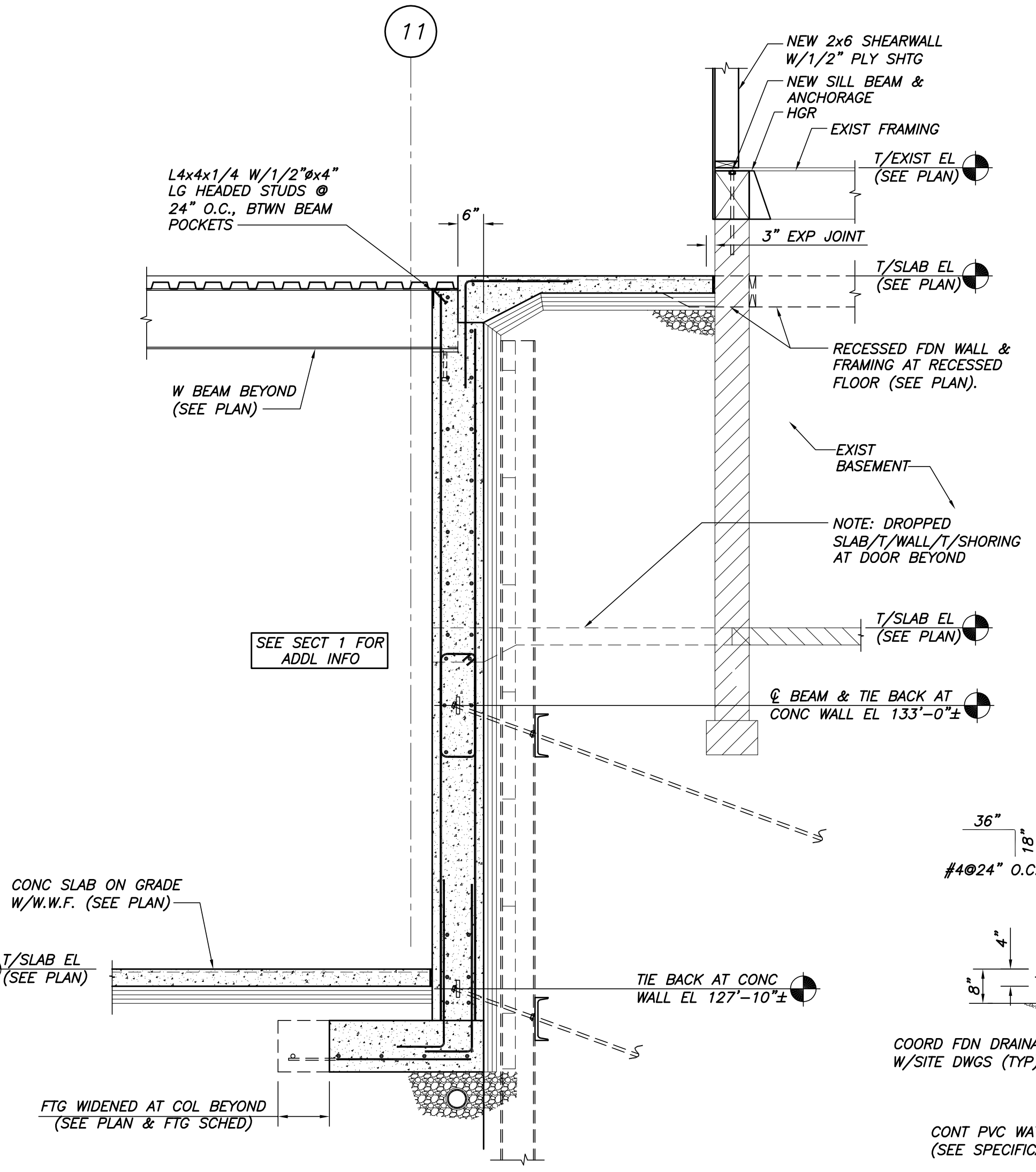
SECTION 1A  
1/2"=1'-0"  
S1.1, S1.2



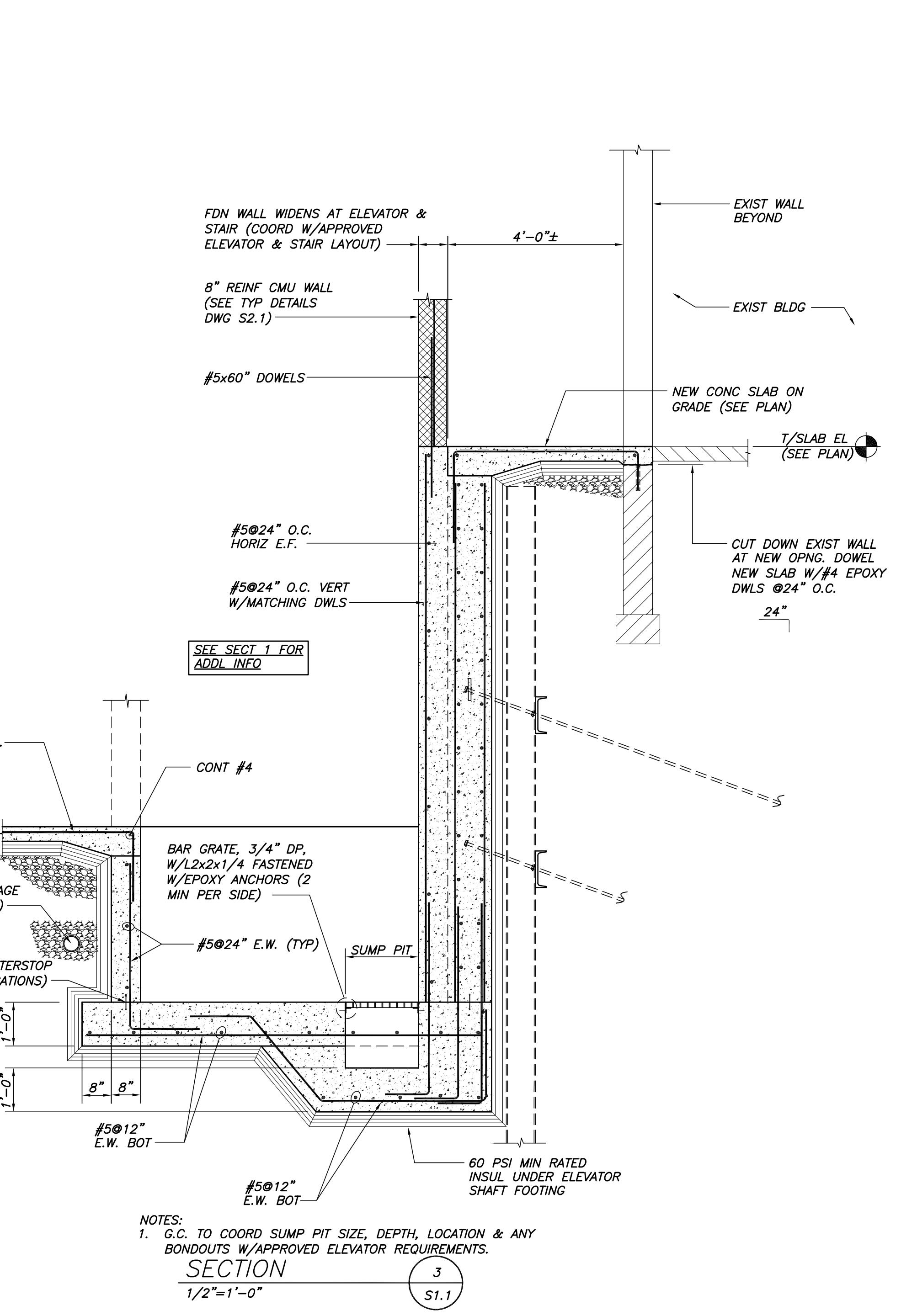
SECTION 2A  
1/2"=1'-0"  
S1.2



SECTION 1  
1/2"=1'-0"  
S1.1, S1.2



SECTION 2  
1/2"=1'-0"  
S1.1, S1.2



SECTION 3  
1/2"=1'-0"  
S1.1

**SHORING (DESIGNED BY OTHERS)**  
BASIS OF DESIGN:  
DRILLED SOLDIER PILES @6'-0" O.C. (DRIVEN PILES NOT PERMITTED).  
LAGGING: PRECAST CONCRETE (BASE BID). PROVIDE PRICING FOR PRESSURE TREATED WOOD LAGGING (DEDUCT ALTERNATE).

NOTES:  
1. O.C. TO COORD SUMP PIT SIZE, DEPTH, LOCATION & ANY BONDOUTS W/APPROVED ELEVATOR REQUIREMENTS.