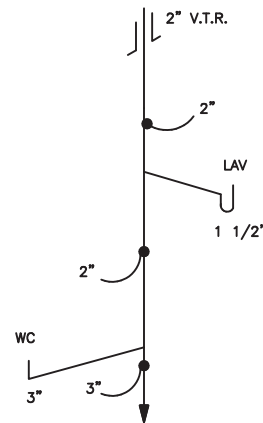
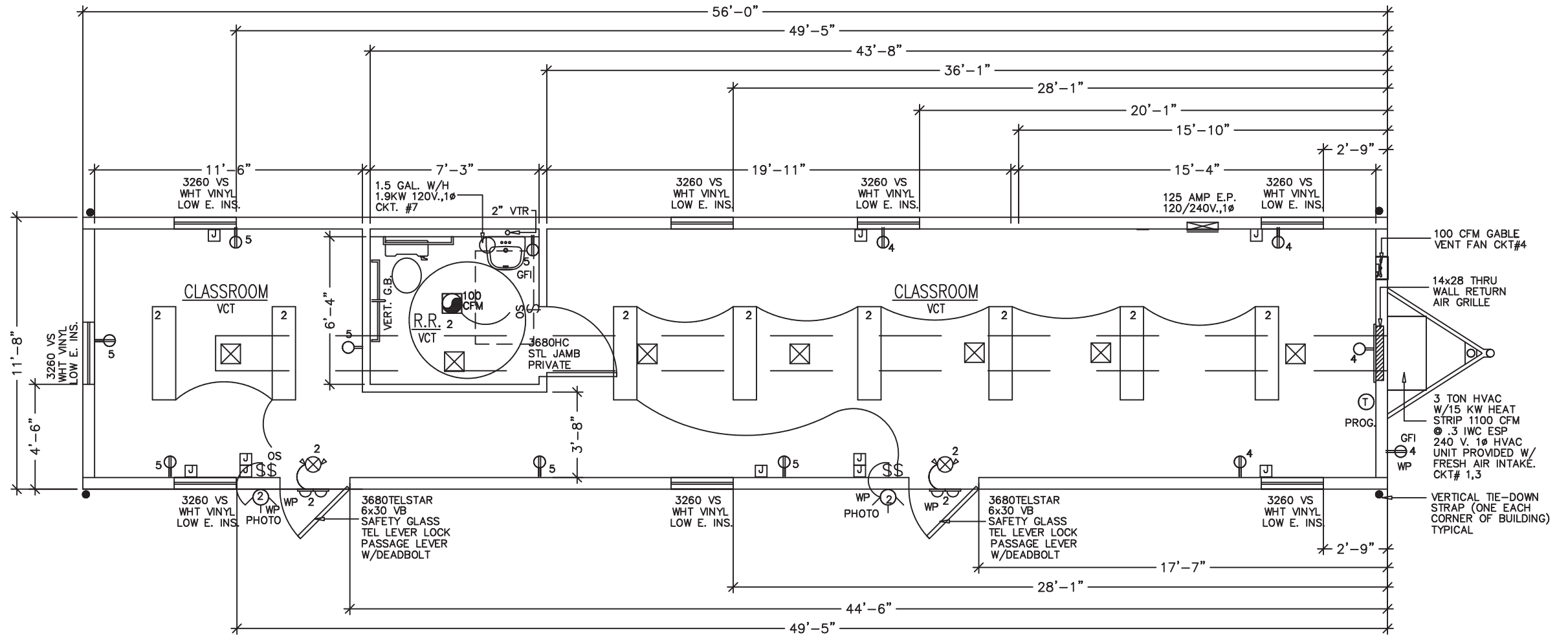


SYMBOLS	
J-BOXES ONLY	
	FIRE ALARM PULL STATION
	FIRE ALARM HORN/STROBE
	FIRE ALARM STROBE LIGHT
	JUNCTION BOX (NON POWERED UNLESS CIRCUIT NO. IS SHOWN)
	SMOKE DETECTOR
	DUPLEX RECEPTACLE 120 V.
	SINGLE RECEPTACLE 240 V.
	INCANDESCENT LIGHT WITH 1- 60 W. BULB
	COMPACT FLOURESENT LIGHT 1-60 W. BULB
	HIGH PRESSURE SODIUM LIGHT
	METAL HALIDE WALL PACK
	VENT FAN
	COMB. VENT FAN & LIGHT
	SUPPLY AIR REGISTER
	RETURN AIR REGISTER
	FLOOD LIGHT 2-150W BULBS
	THERMOSTAT
	FLUORESCENT FIXTURE WITH 2-32W TUBES
	EXIT/EMERGENCY COMBO W/BATTERY BACKUP
	EXIT/EMERGENCY COMBO W/REMOTE HEAD W/BATTERY BACKUP
	EXIT/EMERGENCY COMBO W/BATTERY BACKUP
	EXIT SIGN W/BATTERY BACKUP
	EMERGENCY LIGHT WITH BATTERY BACKUP
	TELEPHONE JACK
	SWITCH & 3 WAY SWITCH
	OCCUPANCY SENSOR SWITCH
	FIRE EXTINGUISHER F.E.

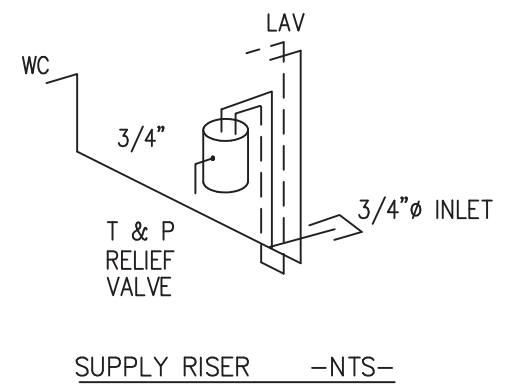


DWV RISER NTS

SUPPLY LINE SIZING IS BASED ON AN ASSUMED AVAILABLE PRESSURE OF 46 TO 60 PSI AT MAIN INLET AND SHOULD BE VERIFIED PRIOR TO CONSTRUCTION.

— COLD
— HOT

ALL SUPPLY LINES SHALL BE 3/4". ALL STUB-UPS SHALL BE 1/2" UNLESS OTHERWISE SPECIFIED.



ELECTRICAL SCHEDULE			
CIRCUIT	NOMENCLATURE	BREAKER (AMPS)	WIRE (CU.)
1, 3	HVAC	90 A (2P) HACR	4-2 #6 GRND.
7	WATER HEATER	20 A(1P)	12-2 NM
4, 5	RECEPTACLES	20 A	12-2 NM
2	LIGHTING	20 A	12-2 NM

ELECTRICAL PANEL SIZING:	
DESCRIPTION	KVA
GENERAL LIGHTING	
.0030 KW/SF X 653 SF X 1.25=	2.9
12 RECEPTS AT 180VA/1000=	2.6
WATER HEATER 1.9KW x 1.25=	2.4
2 FANS AT .3 KW X 1.25=	.8
HVAC	15.9
TOTAL 24.6 KW	
TOTAL/240 X 1000=	103 AMPS
INSTALL 125 AMP PANEL	
120/240 V 1Ø	

NOTE: HVAC WIRING SPECIFICATIONS ARE BASED ON 75 DEGREE CONDUCTORS

ARTHUR L. KAY, R.A.
5521 TERRAIN DE GOLF DR.
LUTZ, FLORIDA 33558

FIRST STRING SPACE INC.
OUR STRENGTH IS TEAMWORK

FIRST STRING SPACE
892 RAILROAD AVE. EAST
PEARSON, GEORGIA 31642 (912) 422-6455

DATE: 4-29-17
SCALE: 1/4"=1'-0"
CODES: SEE NOTES
STATES: MAINE REVISIONS: BY: A.L.K.

FSS5542
12 x 56 EDUCATION SHEET
FLOOR PLAN DESTINATION: PORTLAND 2 OF 4