

SPRINKLER PIPING GENERAL NOTES:

1. USE DRY FLEX HEADS FOR EXTERIOR CANOPIES.
2. NEW ZONING SHALL MATCH EXISTING CONDITIONS.
3. PROVIDE FREEZE PROTECTION FOR TEMPORARY HOSE CONNECTION IF PERMANENT CONNECTION IS NOT COMPLETE BY OCTOBER 1.

DOMESTIC PIPING GENERAL NOTES:

1. HOT WATER BRANCHES SHALL NOT EXCEED 12 FEET FROM MAIN WITHOUT A HOT WATER RETURN PIPING CONNECTION AND BALANCING VALVE.

DOMESTIC PIPING KEYED NOTES:

- 1 1/2" DCW & DHW UIW OR UIC
- 2 1/2" DCW & DHW DIW OR DIC

FLOW SWITCH FOR SILLS
SPRINKLER ZONE LOCATED
IN LOWER LEVEL OF
FOUNDERS



6" NG UP
6" NG ENTRANCE
SET REGULATOR TO
MATCH EXISTING GAS
SERVICE.
SEE CIVIL DRAWINGS
FOR CONTINUATION

CONNECT A 2 1/2" DIA. HOSE TO (E) SPRINKLER MAIN IN SILLS AND TO MAIN IN FOUNDERS BASEMENT, LABELED AS THE SUPPLY MAIN FOR SILLS. RECONNECT WITH PERMANENT SPRINKLER PIPING WHEN NEW SCHOOL IS HEATED AND WEATHER TIGHT.

(E) IRRIGATION SYSTEM TO REMAIN

PROVIDE RPZ IN NEW SUPPLY TO (E) IRRIGATION SYSTEM

MATCH (E) PIPE SIZES

2" DCW, 1 1/2" DHW & 3/4" DHWR UIW TO FLOOR ABOVE

METRALOOP EXPANSION JOINTS, SEE SPEC SECTION 230516

2" DCW, 1 1/2" DHW & 3/4" DHWR UIW

1/2" DCW & DHW CAPPED FOR FUTURE SINK AND DISHWASHER

(E) SPRINKLER ENTRANCE

REFER TO CIVIL DWGS FOR NEW 8" SPRINKLER SUPPLY TO BUILDING. NEW CONNECTION SHALL BE MADE WITHIN FIVE FEET OF EXT. WALL

NEW 3" WATER SERVICE

3" DCW, 2" DHW & 3/4" DHWR

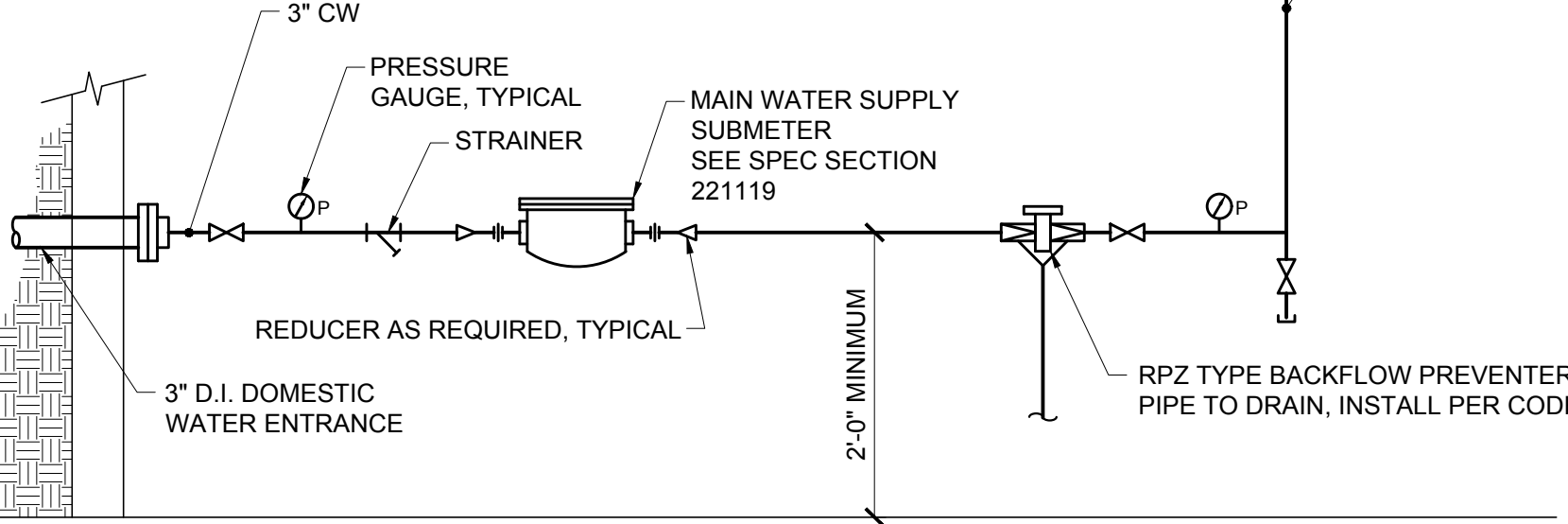
2" DCW, 1 1/2" DHW & 3/4" DHWR VFFF

2" DCW, 1 1/2" DHW & 3/4" DHWR UIW WITH SHUT OFF VALVES ACCESSIBLE FROM LOWER LEVEL

2" CW, 1 1/2" DHW & 3/4" DHWR VFFF

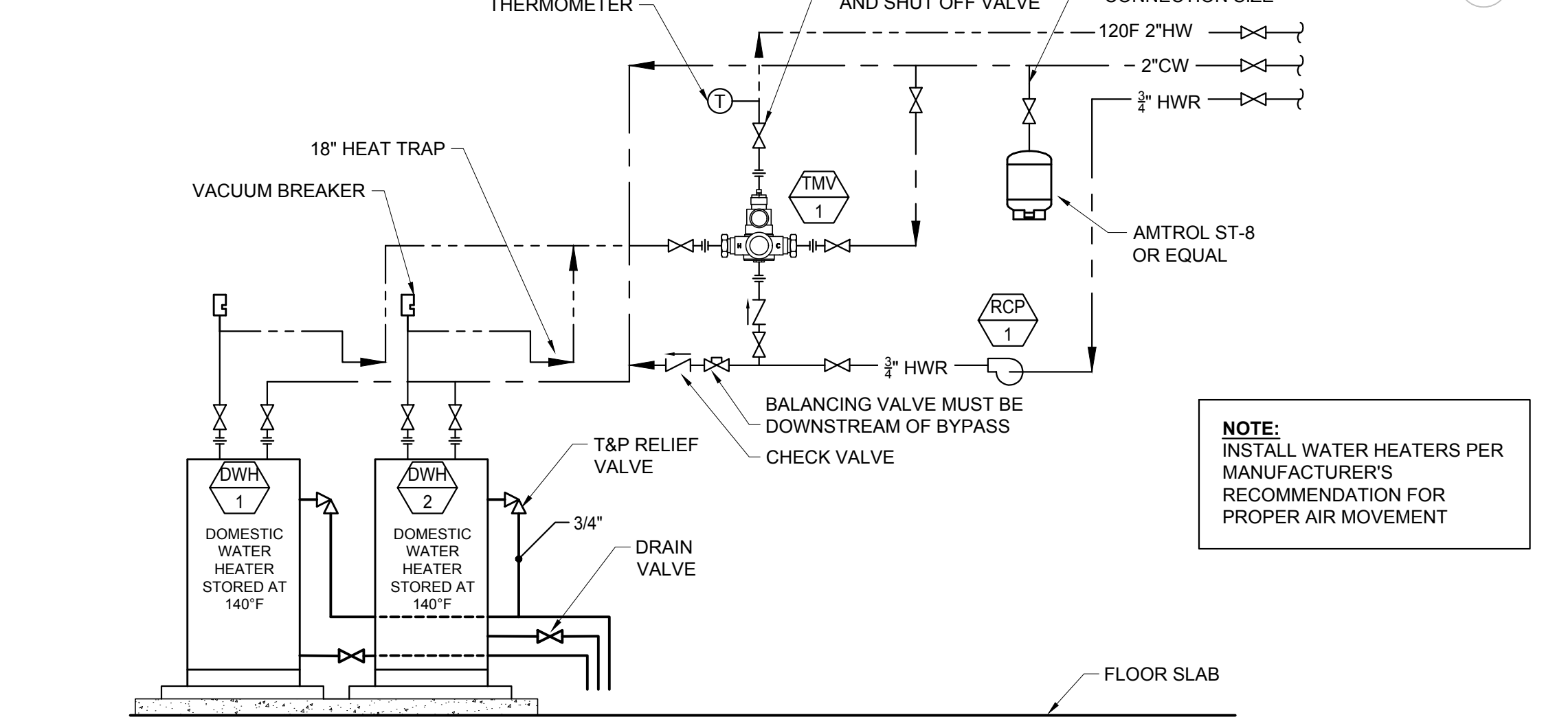
1" DCW VCC FOR CONNECTION TO IRRIGATION SYSTEM WITH RPZ. REFER TO C-102 FOR CONTINUATION

SUBMETER FOR IRRIGATION SEE SPEC SECTION 221119



C1 DETAIL ~ NEW DOMESTIC WATER ENTRANCE

NOT TO SCALE

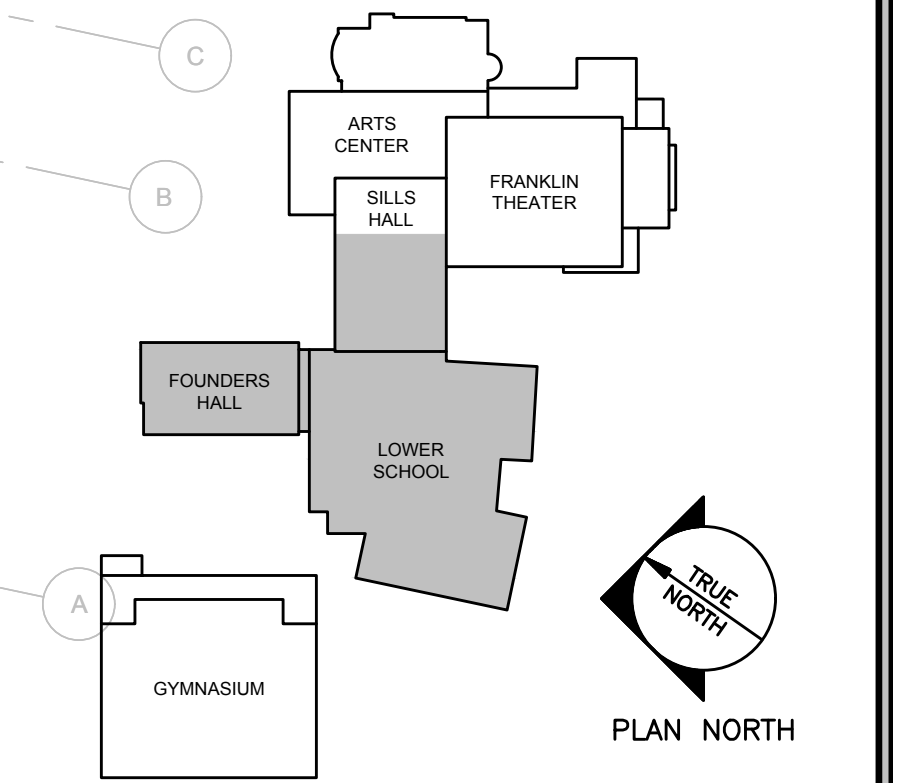


A1 DETAIL ~ DOMESTIC WATER HEATER

NOT TO SCALE

A4 DOMESTIC PIPING PLAN ~ LOWER LEVEL

1/8" = 1'-0"



A9 KEYED PLAN

NOT TO SCALE

PROJECT NAME:
**WAYNFLETE
LOWER SCHOOL**
ADDITION & RENOVATIONS

WAYNFLETE SCHOOL
360 SPRING STREET
PORTLAND, MAINE 04102



THIS DRAWING IS THE PROPERTY OF SCOTT SIMONS ARCHITECTS (SSA) AND IS NOT TO BE COPIED OR REPRODUCED IN PART OR WHOLE. 2015 © SCOTT SIMONS ARCHITECTS, LLC

REVISION:

NO.	DATE
1	DATE
2	DATE
3	DATE
4	DATE
5	DATE
6	DATE

DATE OF ISSUE: 12 JANUARY 2017
PROJECT NUMBER: 2013-0050
STATUS: ISSUED FOR BID

DOMESTIC PIPING PLAN ~ LOWER LEVEL

N:\Projects\2015\15051 Waynflete School\00 Drawing Files\15051P.dwg Jun 11, 2017 10:25am