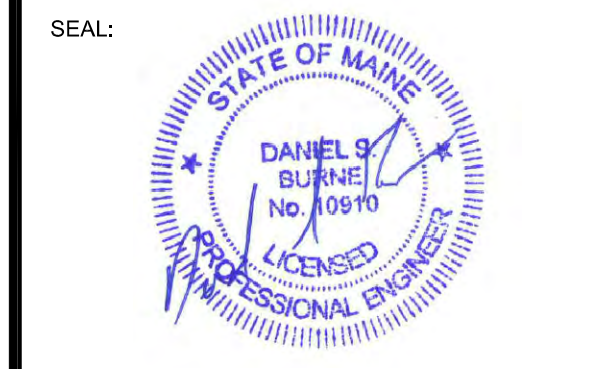


PROJECT NAME:
**WAYNFLETE
LOWER SCHOOL
ADDITION & RENOVATIONS**
WAYNFLETE SCHOOL
360 SPRING STREET
PORTLAND, MAINE 04102



THIS DRAWING IS THE PROPERTY OF SCOTT SIMONS ARCHITECTS (SSA) AND IS NOT TO BE COPIED OR REPRODUCED IN PART OR WHOLE. 2012 © SCOTT SIMONS ARCHITECTS, LLC

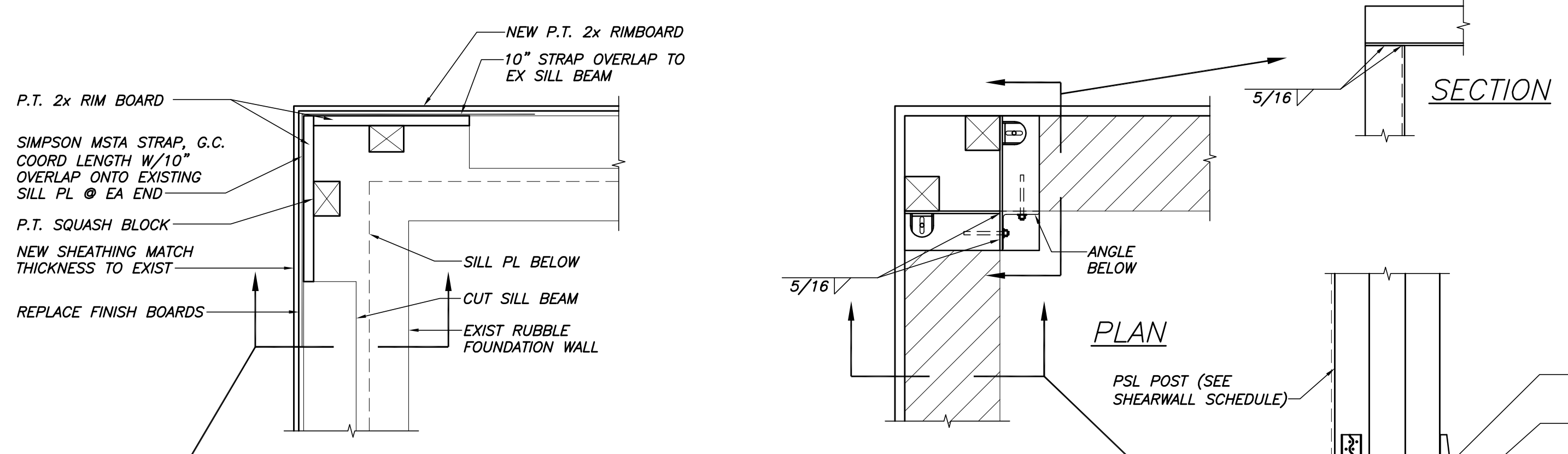
REVISION:

| | |
|--|--|
| | |
| | |
| | |
| | |
| | |

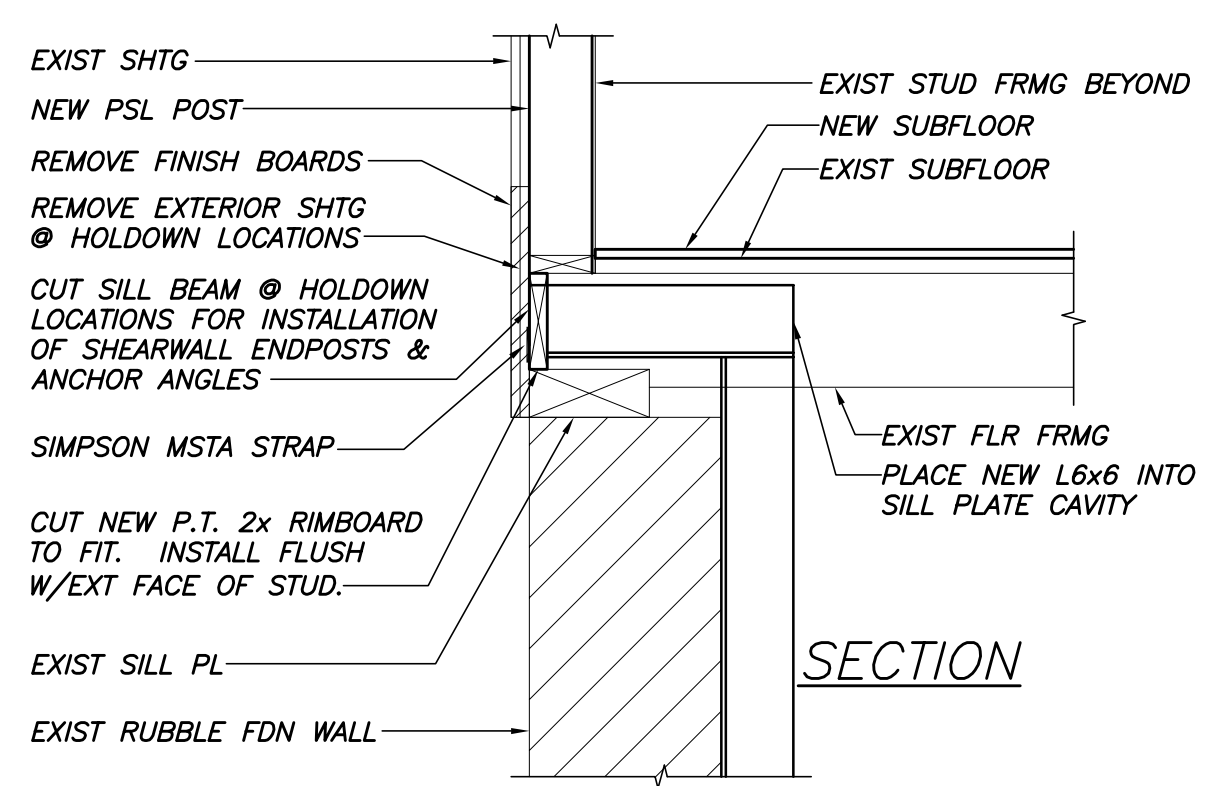
DATE OF ISSUE: 12 JANUARY 2017
PROJECT NUMBER: 3690
STATUS: ISSUED FOR BID

FRAMING SECTIONS & DETAILS

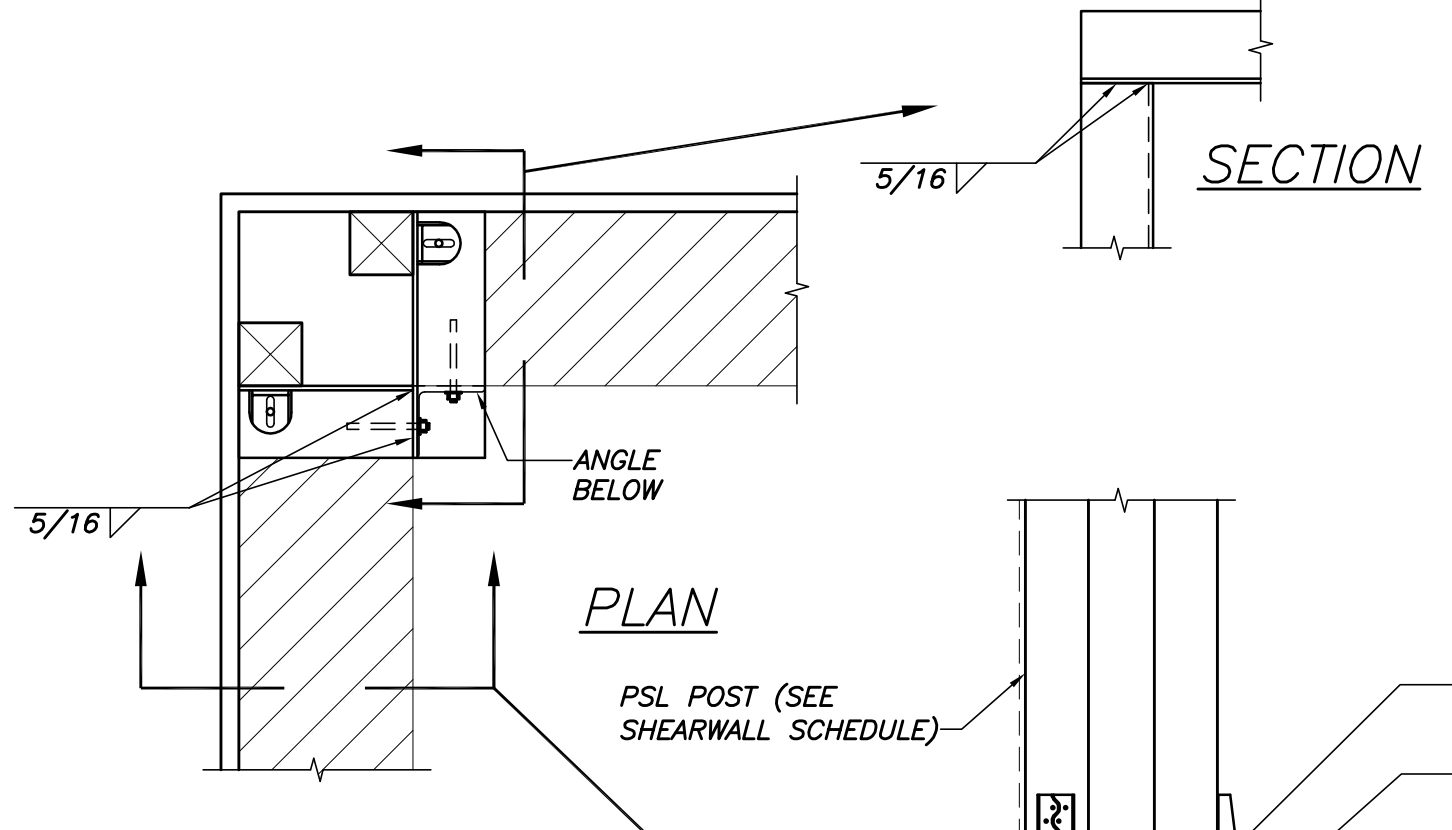
S3.6



TYPICAL SILL PLATE MODIFICATIONS AT HOLDOWN

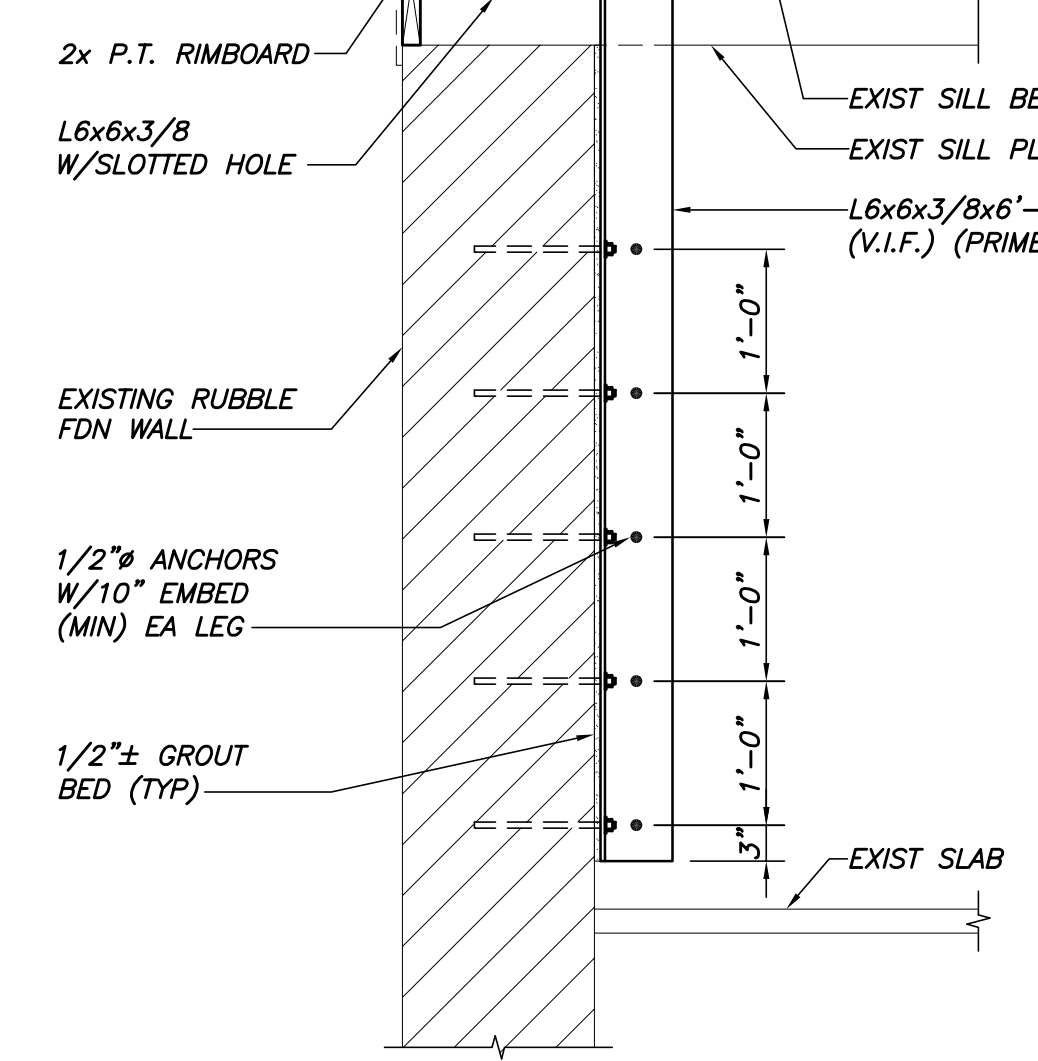
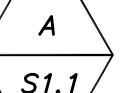


SECTION

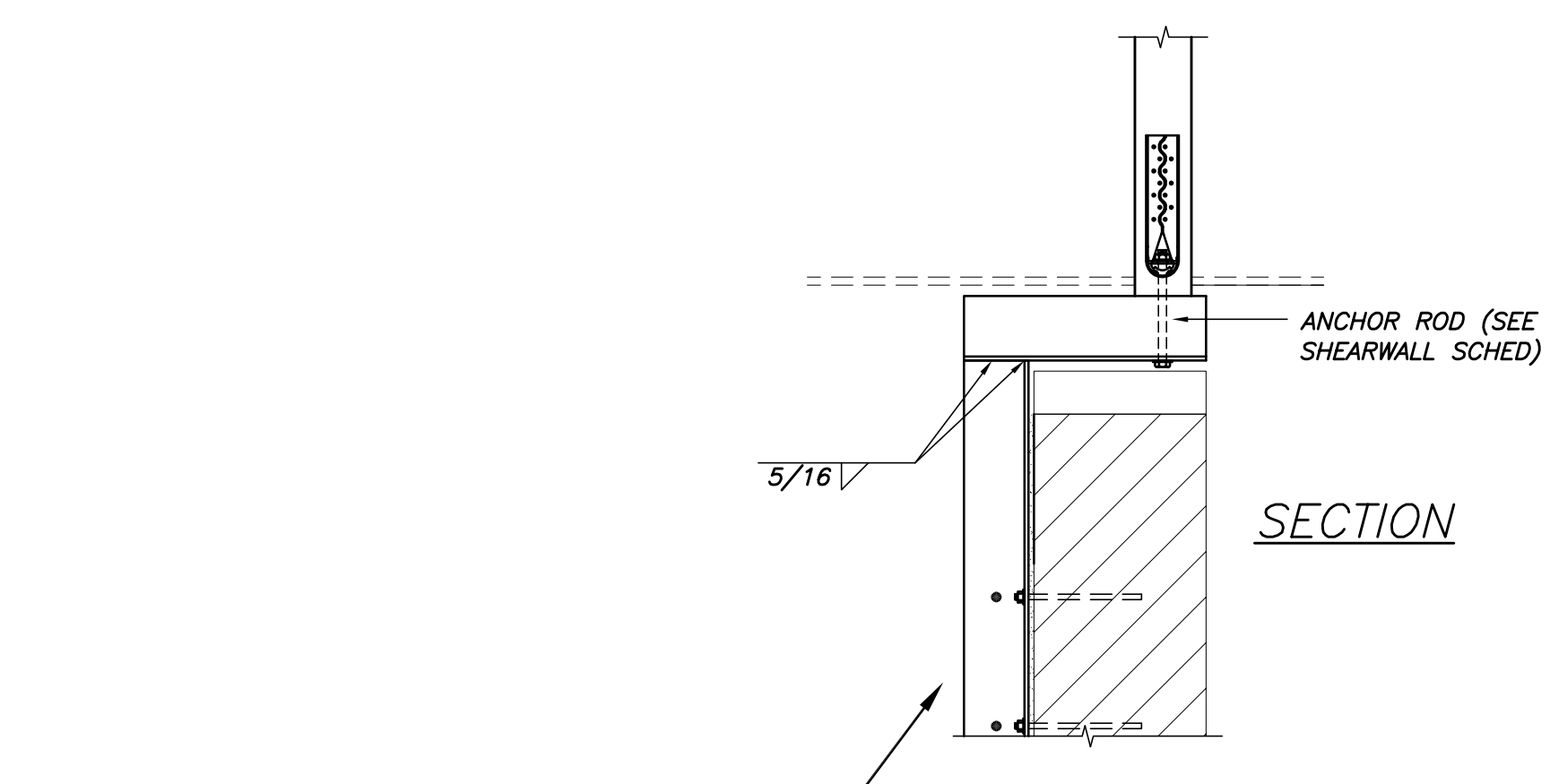


PLAN

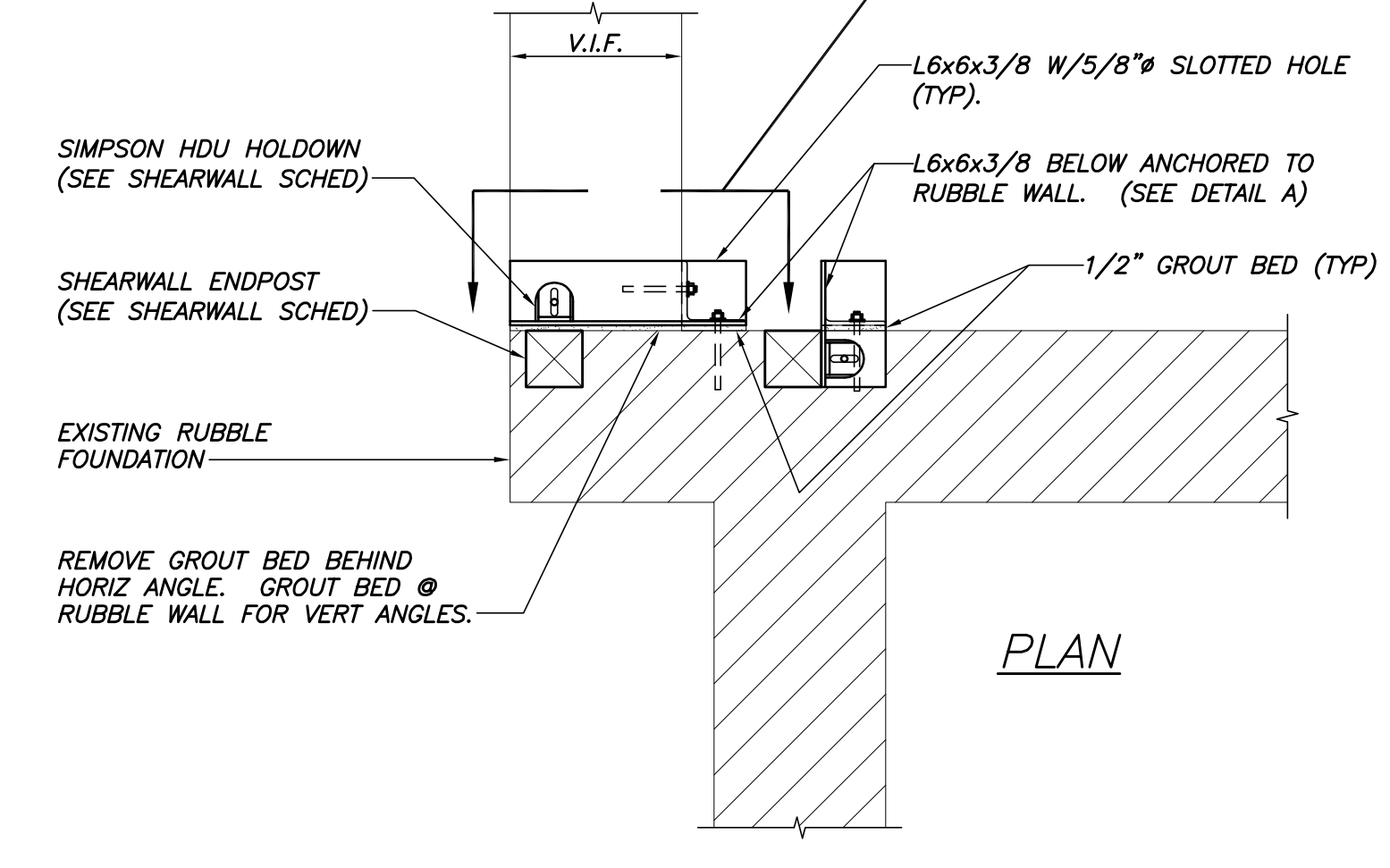
DETAIL
3/4"=1'-0"
NOTE:
SILL PLATES NOT SHOWN FOR CLARITY.



HOLDOWN ANCHOR SECTION

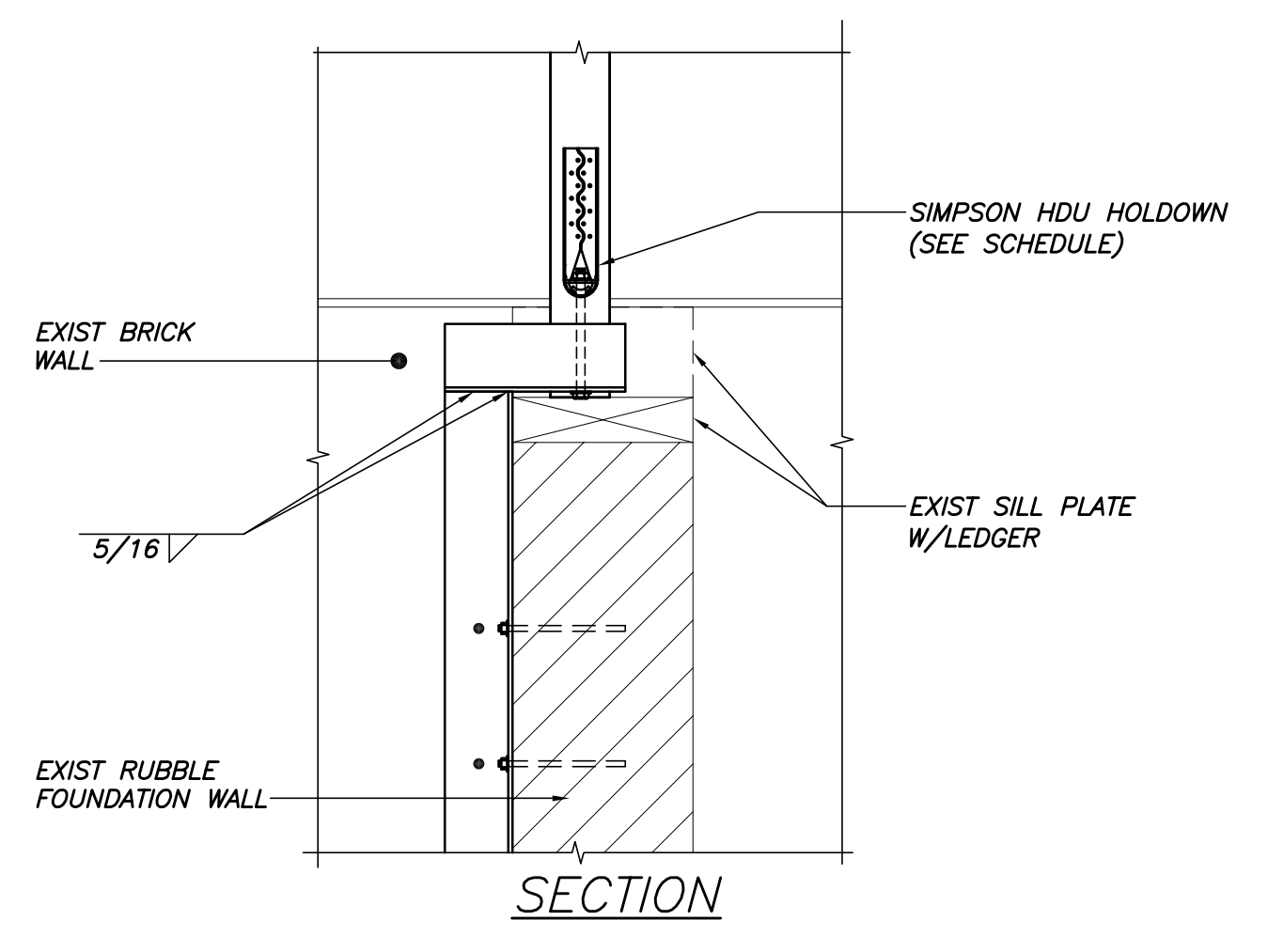
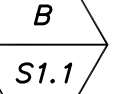


SECTION

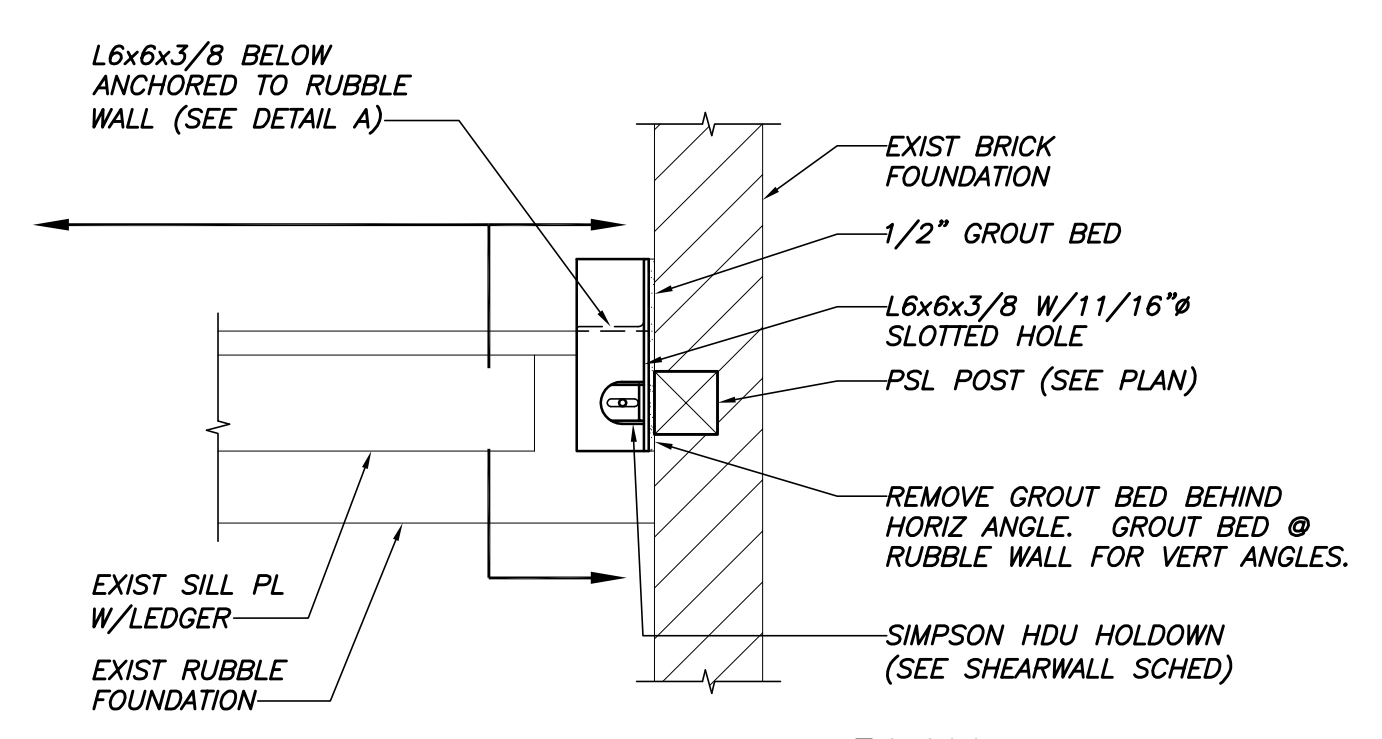


PLAN

DETAIL
3/4"=1'-0"
S1.1

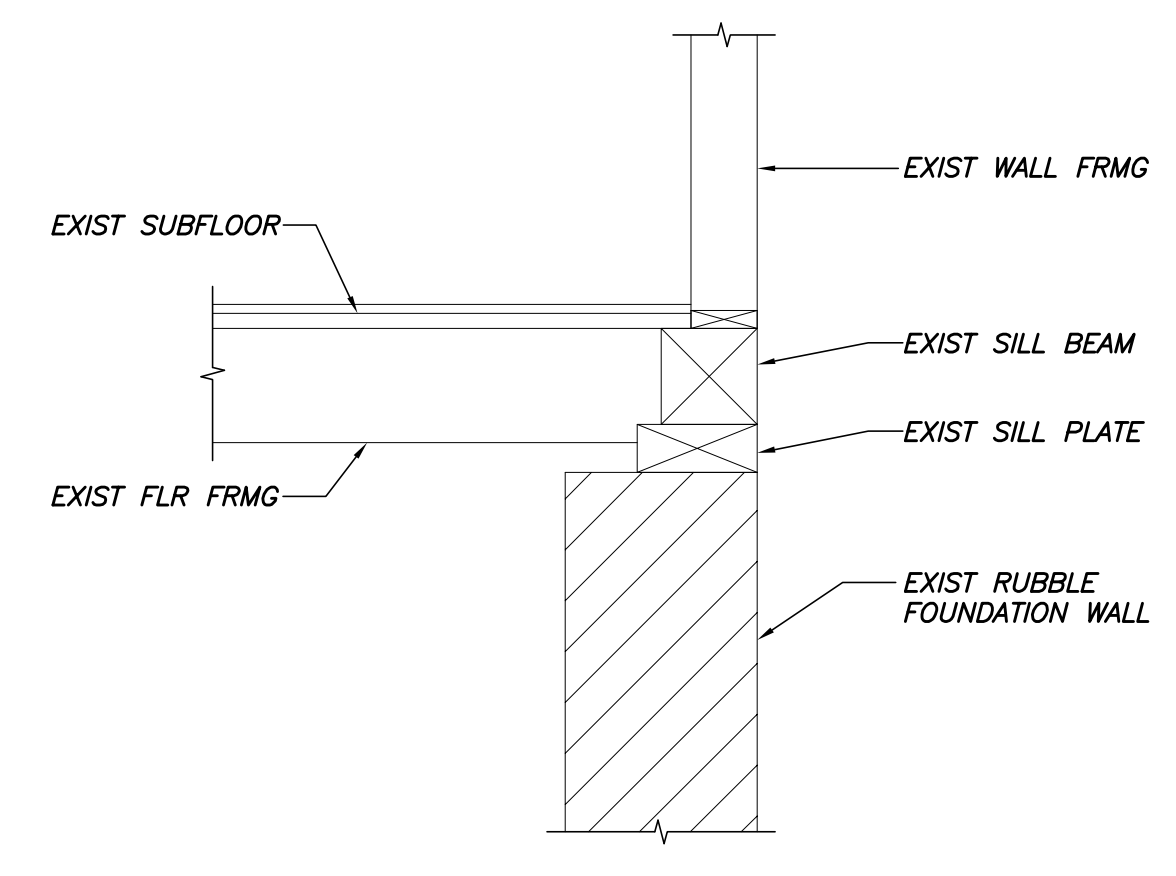
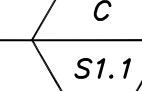


SECTION



PLAN

DETAIL
3/4"=1'-0"
S1.1



TYP EXIST FIRST FLOOR FRAMING