

PROJECT NAME:

**WAYNFLETE
LOWER SCHOOL**
ADDITION & RENOVATIONS

WAYNFLETE SCHOOL
360 SPRING STREET
PORTLAND, MAINE 04102

SEAL:



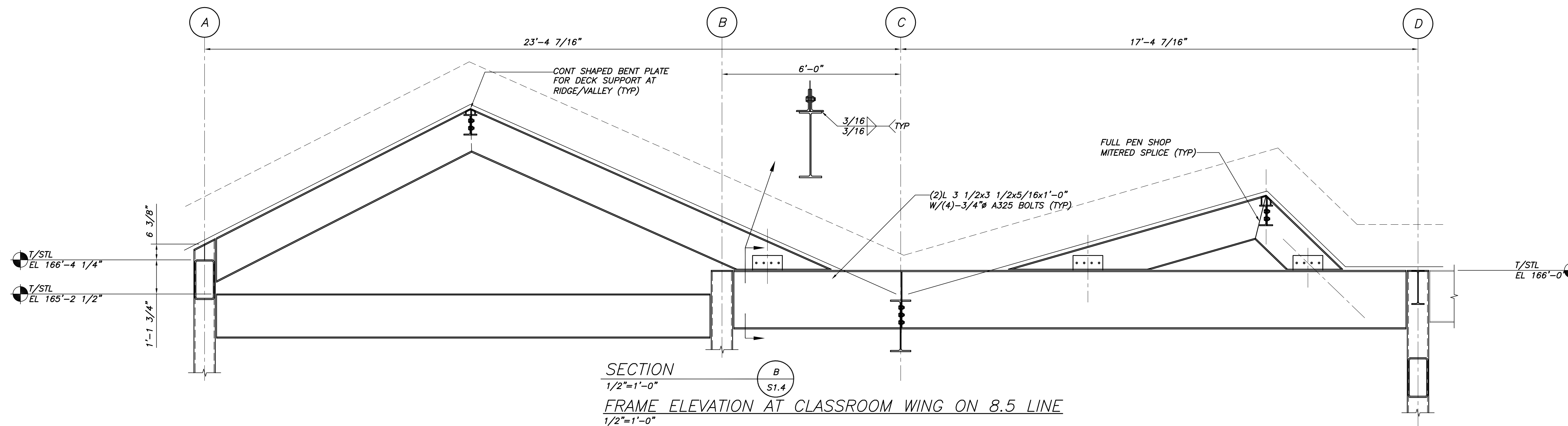
THIS DRAWING IS THE PROPERTY OF SCOTT SIMONS ARCHITECTS (SSA) AND IS NOT TO BE COPIED OR REPRODUCED IN PART OR WHOLE. 2012 © SCOTT SIMONS ARCHITECTS, LLC

REVISION:

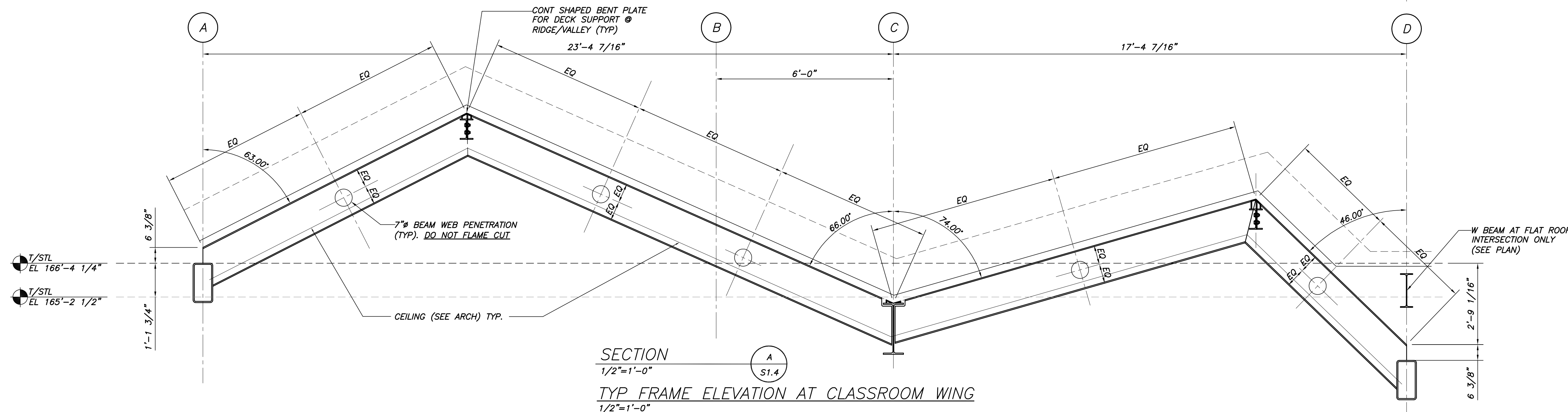
DATE OF ISSUE: 12 JANUARY 2017
PROJECT NUMBER: 3660
STATUS: ISSUED FOR BID

**FRAMING SECTIONS
& DETAILS**

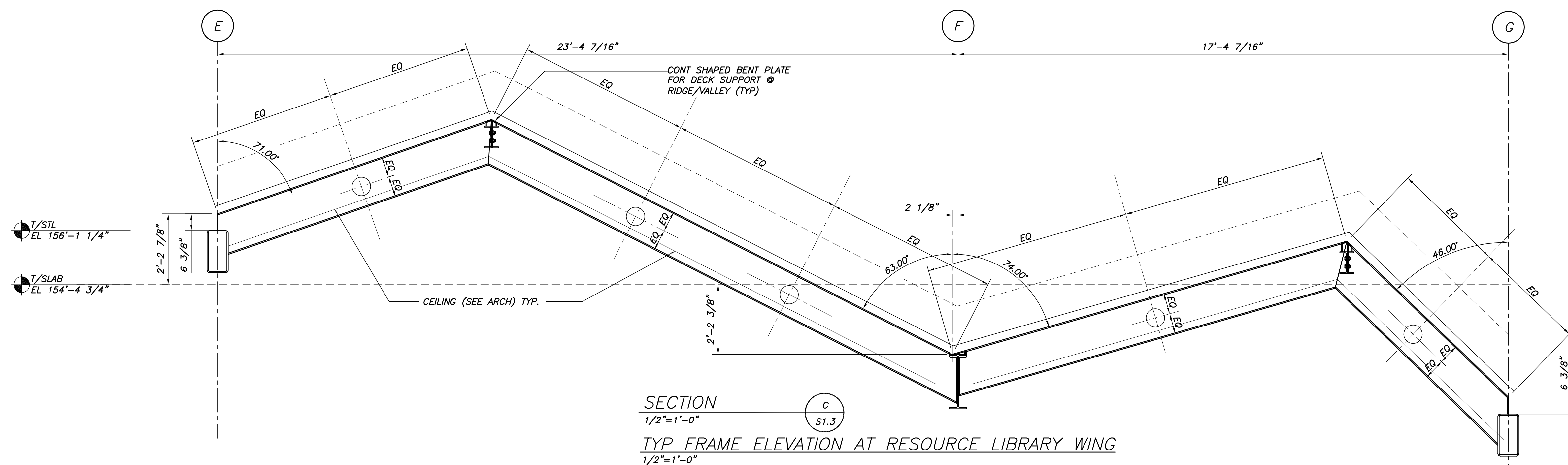
S3.1



SECTION B
1/2"=1'-0"
FRAME ELEVATION AT CLASSROOM WING ON 8.5 LINE
1/2"=1'-0"



SECTION A
1/2"=1'-0"
TYP FRAME ELEVATION AT CLASSROOM WING
1/2"=1'-0"



SECTION C
1/2"=1'-0"
TYP FRAME ELEVATION AT RESOURCE LIBRARY WING
1/2"=1'-0"