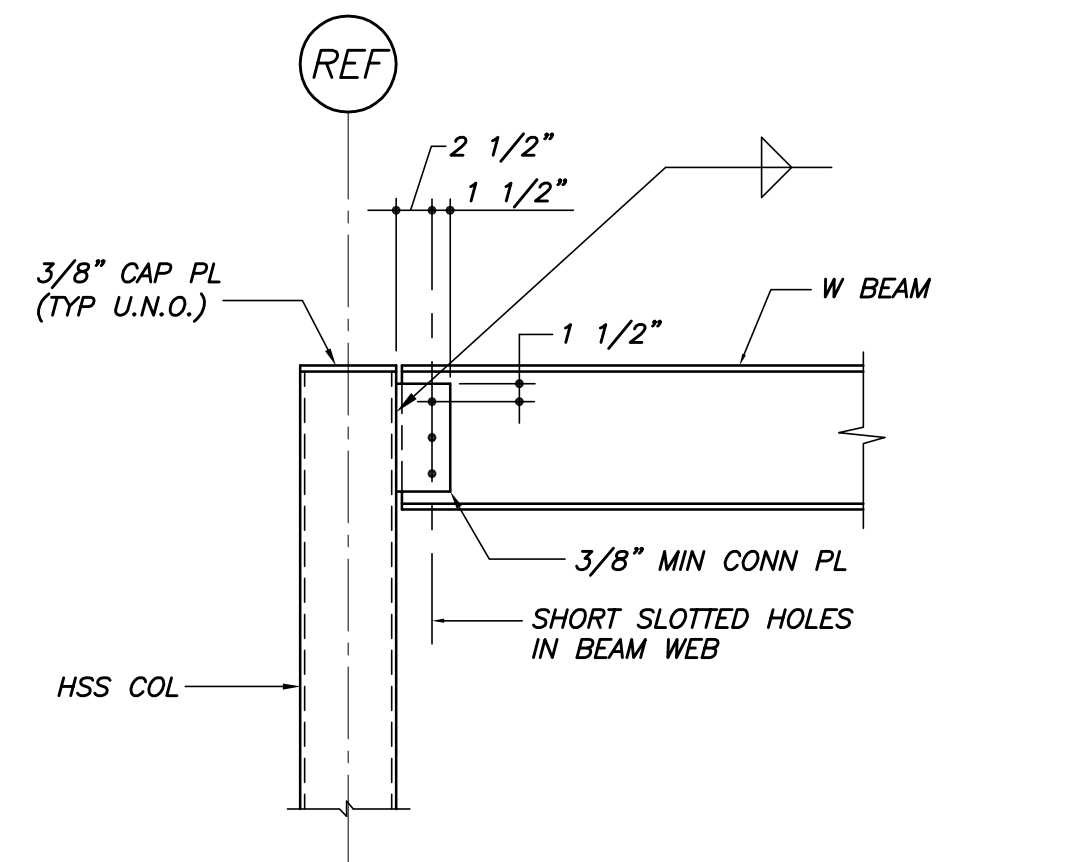
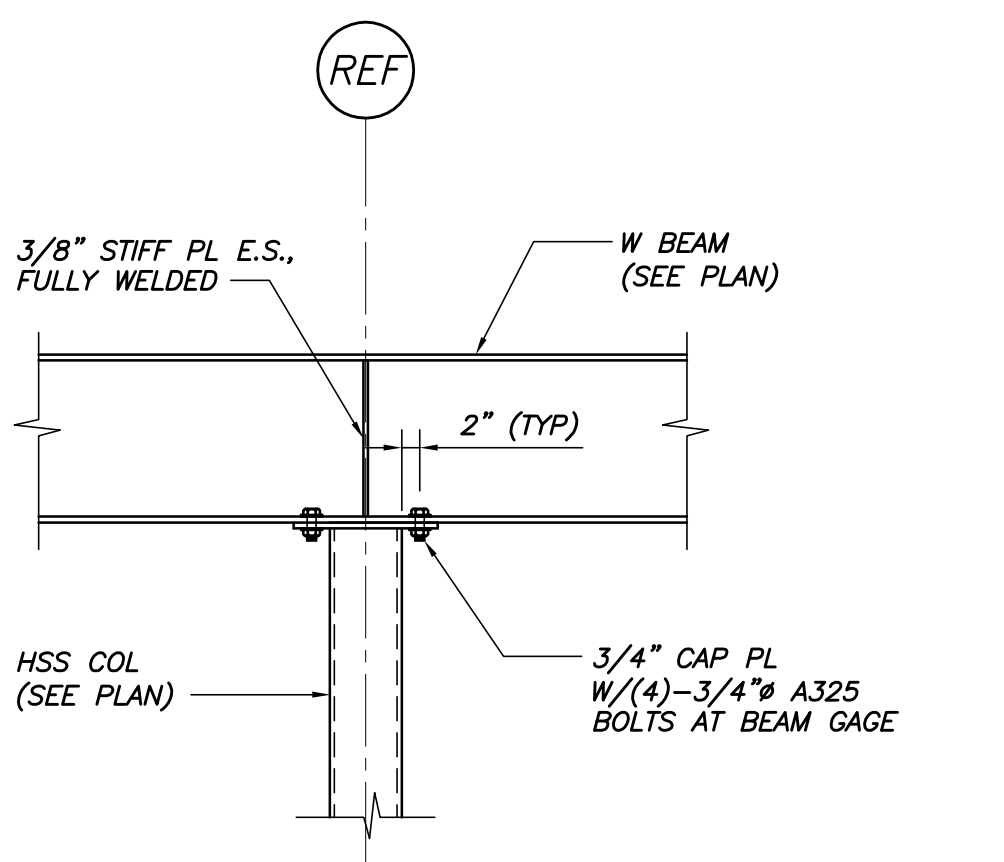


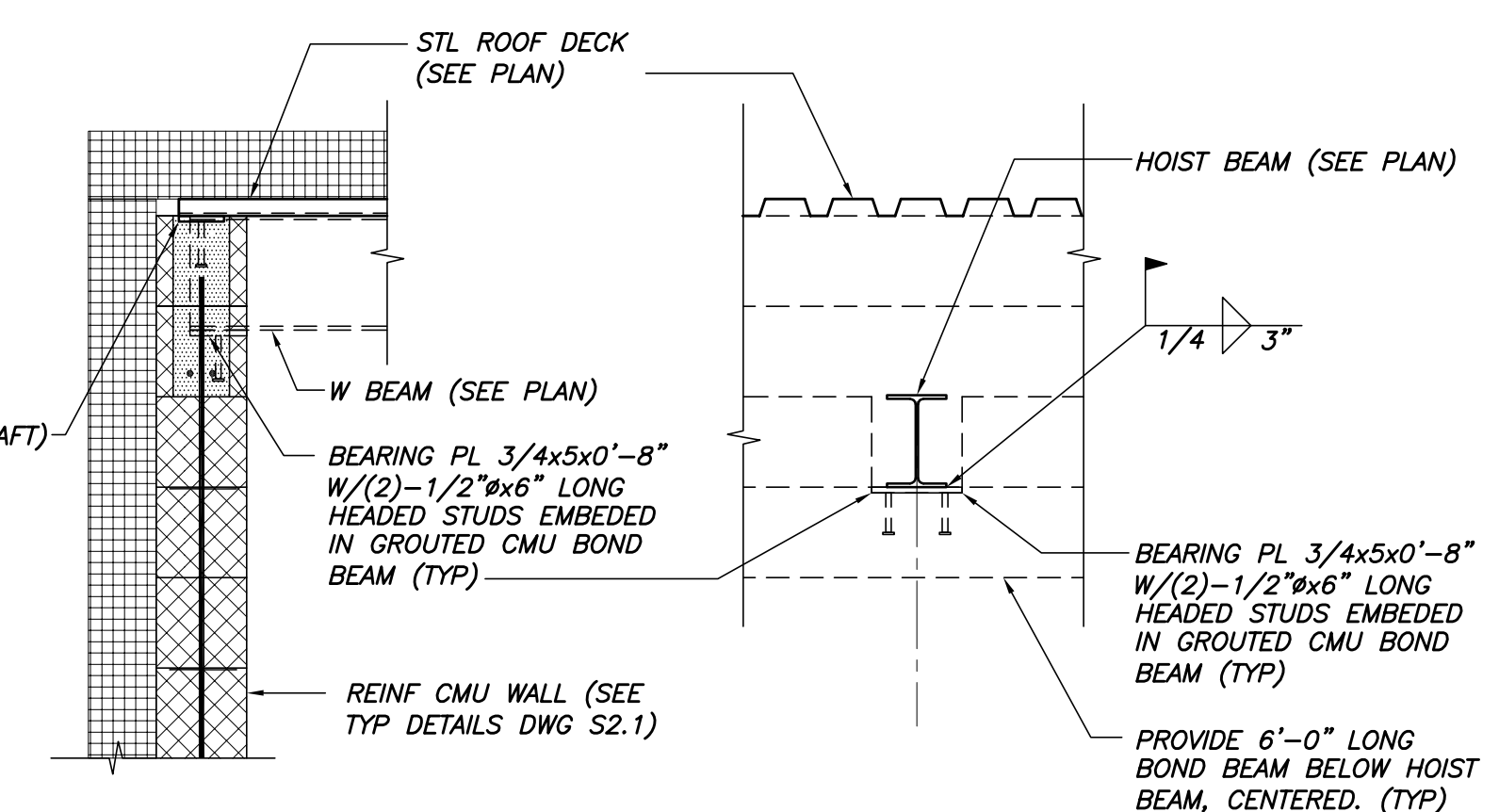
TYP HSS MOMENT CONN DETAIL
N.T.S.



TYP BEAM TO HSS COL CONN U.N.O.
N.T.S.



TYP BEAM BEARING ON STEEL COLUMN
N.T.S. (NOTE: INVERT DETAIL AT TRANSFER BEAMS)



TYP ELEVATOR SHAFT OVERRIDE FRAMING DETAILS
N.T.S. NOTE: SEE ARCH DWGS FOR TOP OF CMU EL & BOT OF HOIST BEAM EL.

SIMPLE SHEAR BEAM CONN. SCHEDULE

BEAM SIZE	DESIGN REACTION	MINIMUM NO BOLTS 1 SIDED CONNECTION	MINIMUM NO BOLTS 2 SIDED CONNECTION
W8	10k	2	2
W10	15k	2	2
W12W14	20k	3	2
W16	40k	4	3
W18	50k	5	3
W21	50k	5	4
W24	55k	6	4

SIMPLE SHEAR CONNECTIONS NOTES:

- SIMPLE SHEAR CONNECTIONS SHALL BE SELECTED FROM THE AISC "MANUAL OF STEEL CONSTRUCTION, THIRTEENTH EDITION" USING THE ABOVE REFERENCED REACTIONS AND CRITERIA. REACTIONS INDICATED ARE UNFACTORED (SERVICE LEVEL LOADS). MORE BOLTS THAN REFERENCED IN THE "MINIMUM" SECTIONS ABOVE MAY BE REQUIRED FOR LOAD REQUIREMENTS.
- CONNECTIONS ARE SUBJECT TO REVIEW ON THE STEEL SHOP DRAWINGS.
- ALL BOLTS SHALL BE A325 OR A490 FOR SIMPLE SHEAR CONNECTIONS. MIN 3/4". MINIMUM WELD SIZE SHALL BE 5/16". MINIMUM MATERIAL SIZE FOR PLATES OR ANGLES SHALL BE 3/8"
- ONE SIDED CONNECTIONS INCLUDE SINGLE PLATES AND SINGLE ANGLE CONNECTIONS.
- TWO SIDED CONNECTIONS INCLUDE DOUBLE ANGLE AND END PLATE CONNECTIONS.

MOMENT CONNECTION SCHEDULE

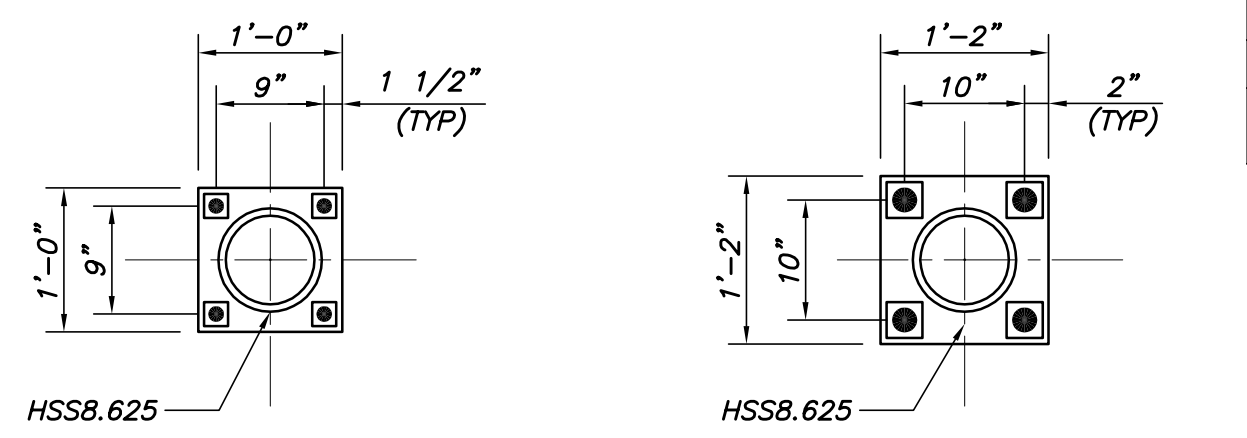
BEAM SIZE	DESIGN MOMENT
W14	75 FT-K
W16	90 FT-K
W18	140 FT-K
W21	210 FT-K
W24	120 FT-K

MOMENT CONNECTION SCHEDULE NOTES:

- ALL MOMENTS PROVIDED ARE BASED ON WORST CASE ALLOWABLE STRESS DESIGN LOAD COMBINATIONS.
- MOMENT CONNECTIONS MAY BE DESIGNED AS BOLTED OR WELDED. CONNECTIONS MUST BE WELDED AT ARCHITECTURALLY EXPOSED STRUCTURAL STEEL (AESS) LOCATIONS.
- PROVIDE MIN (2) ROWS OF BOLTS FOR BOLTED MOMENT CONNECTIONS.

POUR STOP SCHEDULE

OVERHANG	POUR STOP GAGE
<3"	14 GA
3"-6"	12 GA
7"-9"	10 GA
>9"	SEE SECTIONS & DETAILS

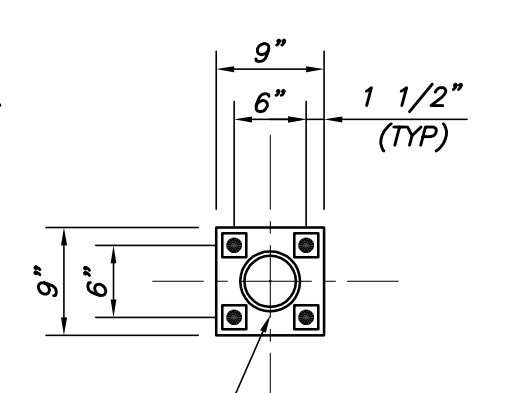


PL 1x12x1'-0"
W/(4)-1 5/16" HOLES FOR
(4)-3/4" F1554 GR 36 ANCHOR
RODS W/9" EMBED & 5" PROJ

PL 1 1/4x14x1'-2"
W/(4)-2 1/16" HOLES FOR
(4)-1 1/4" F1554 GR 36 ANCHOR
RODS W/9" EMBED & 6" PROJ

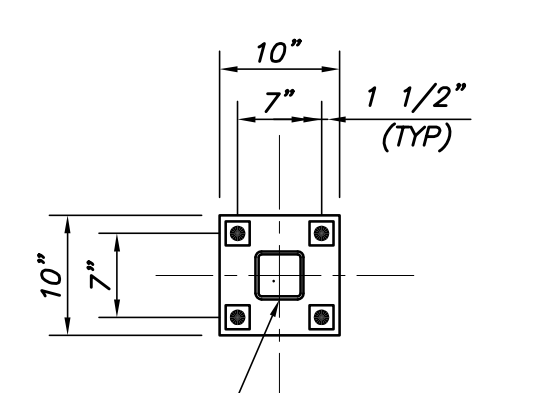
BP-A

BP-B



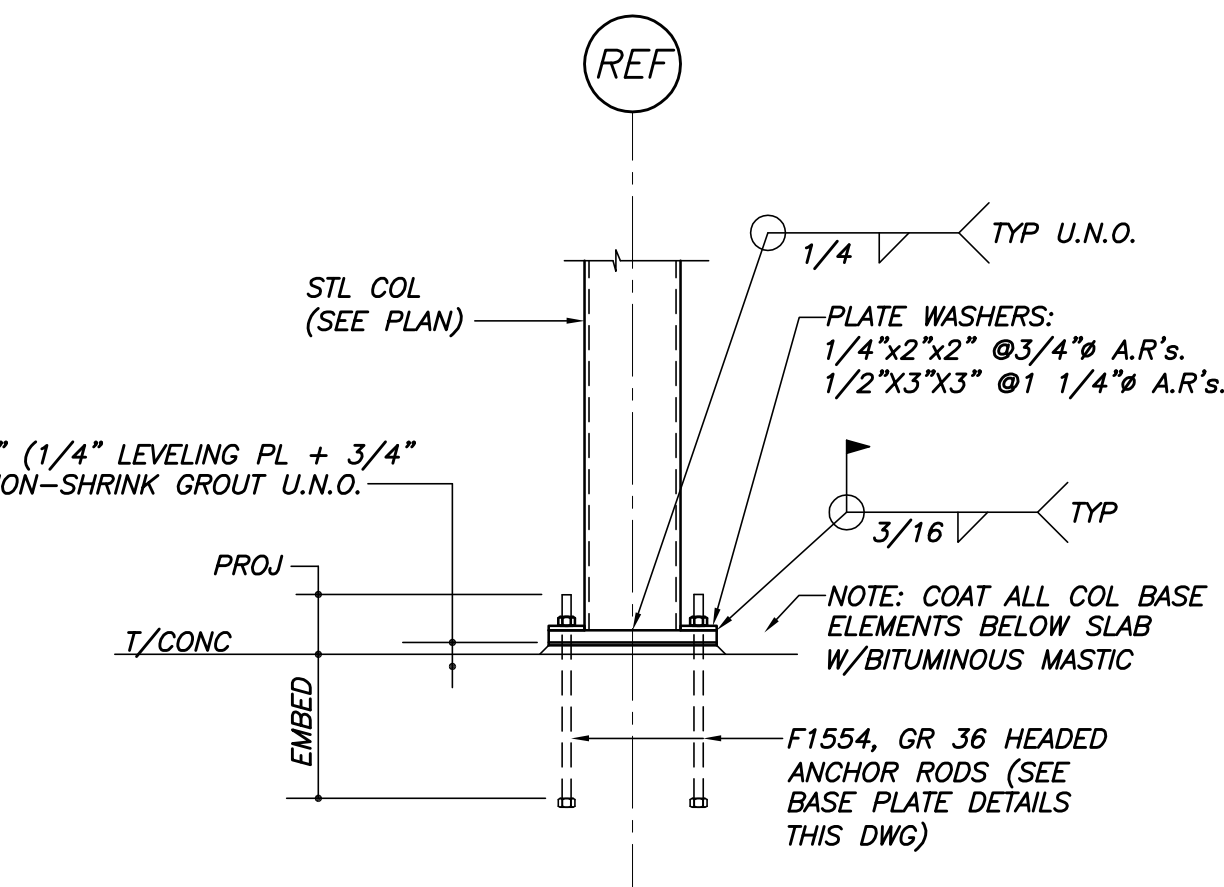
PL 3/4x9x0'-9"
W/(4)-1 5/16" HOLES FOR
(4)-3/4" F1554 GR 36 ANCHOR
RODS W/9" EMBED & 5" PROJ

BP-C

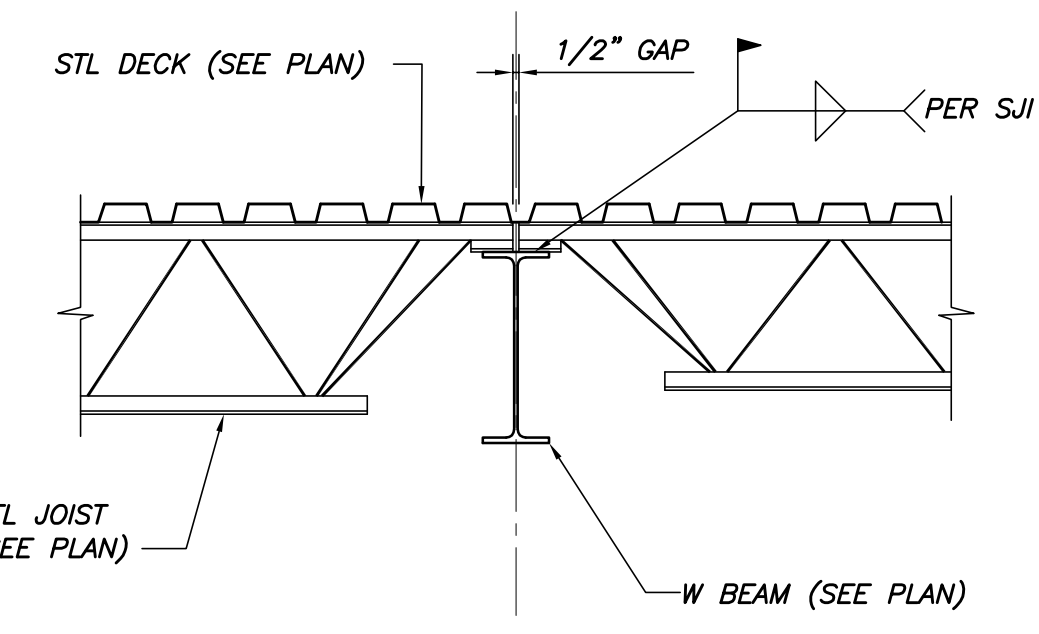


PL 3/4x10x0'-10"
W/(4)-1 5/16" HOLES FOR
(4)-3/4" F1554 GR 36 ANCHOR
RODS W/9" EMBED & 5" PROJ

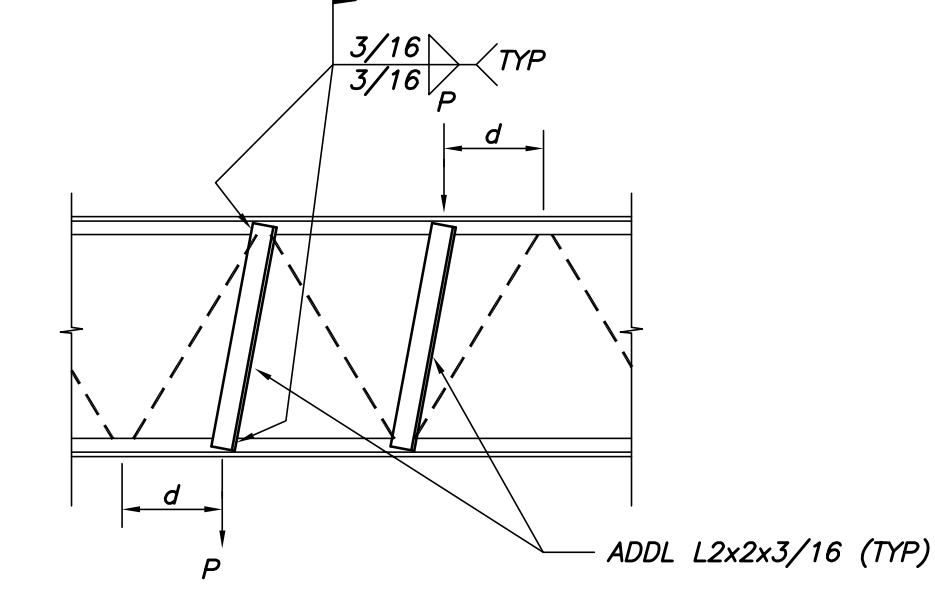
BP-D



TYP COL BASE DETAIL U.N.O.
N.T.S.

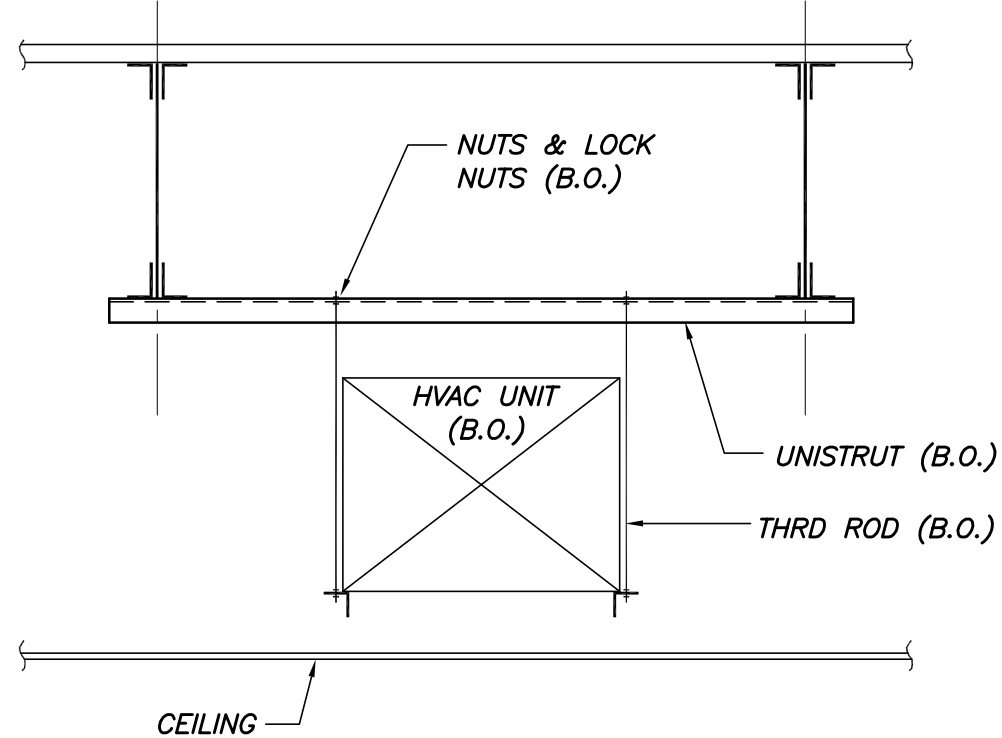


TYP STL JOIST BEARING DETAIL
N.T.S.

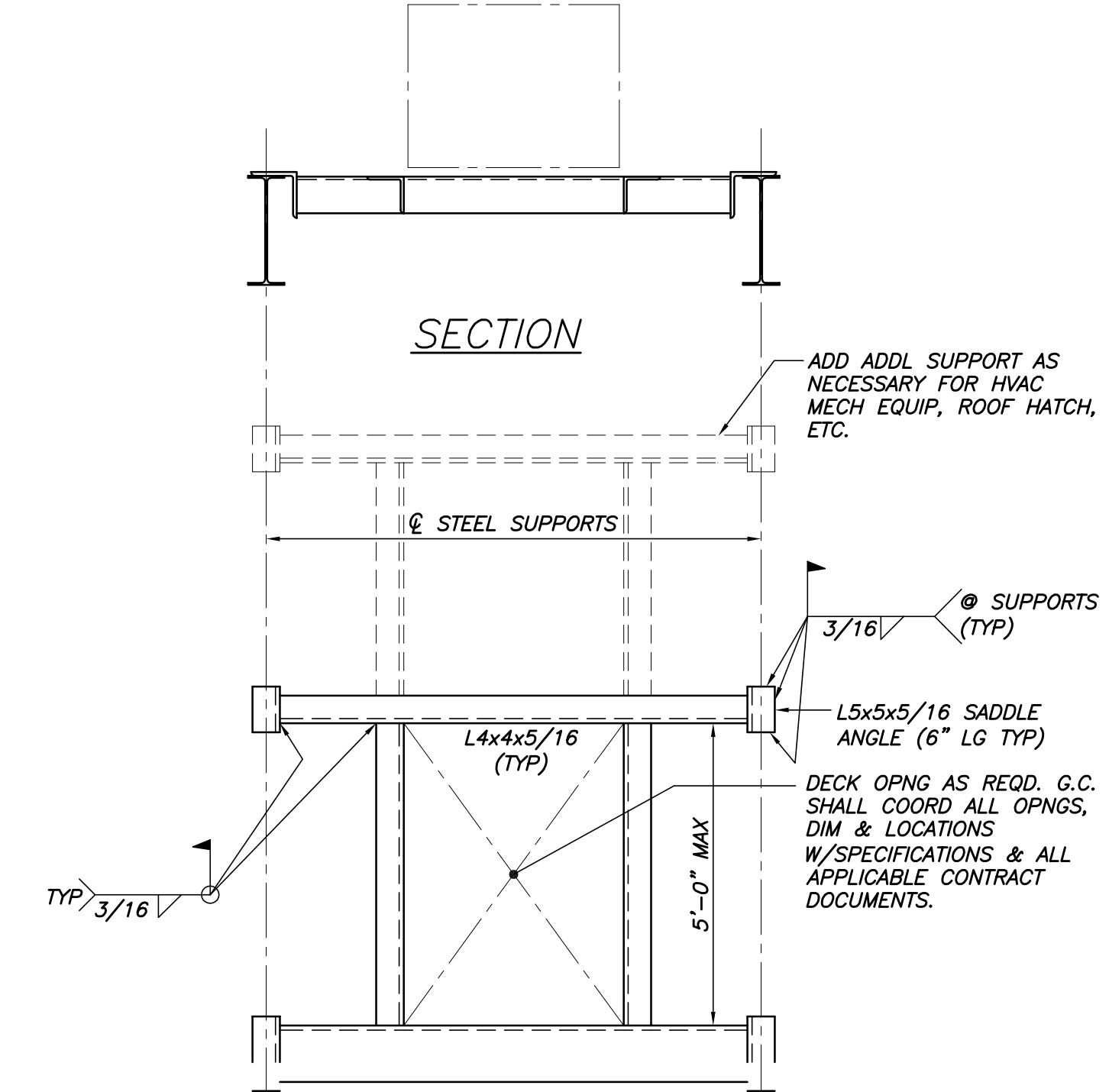


TYP JOIST REINF DETAIL
N.T.S.

- FOR CONCENTRATED LOADS LOCATED A DISTANCE "d", 4" OR MORE FROM PANEL POINT, PROVIDE ADDITIONAL WEB MEMBERS AS SHOWN.
- P = 150# MAX LOAD.

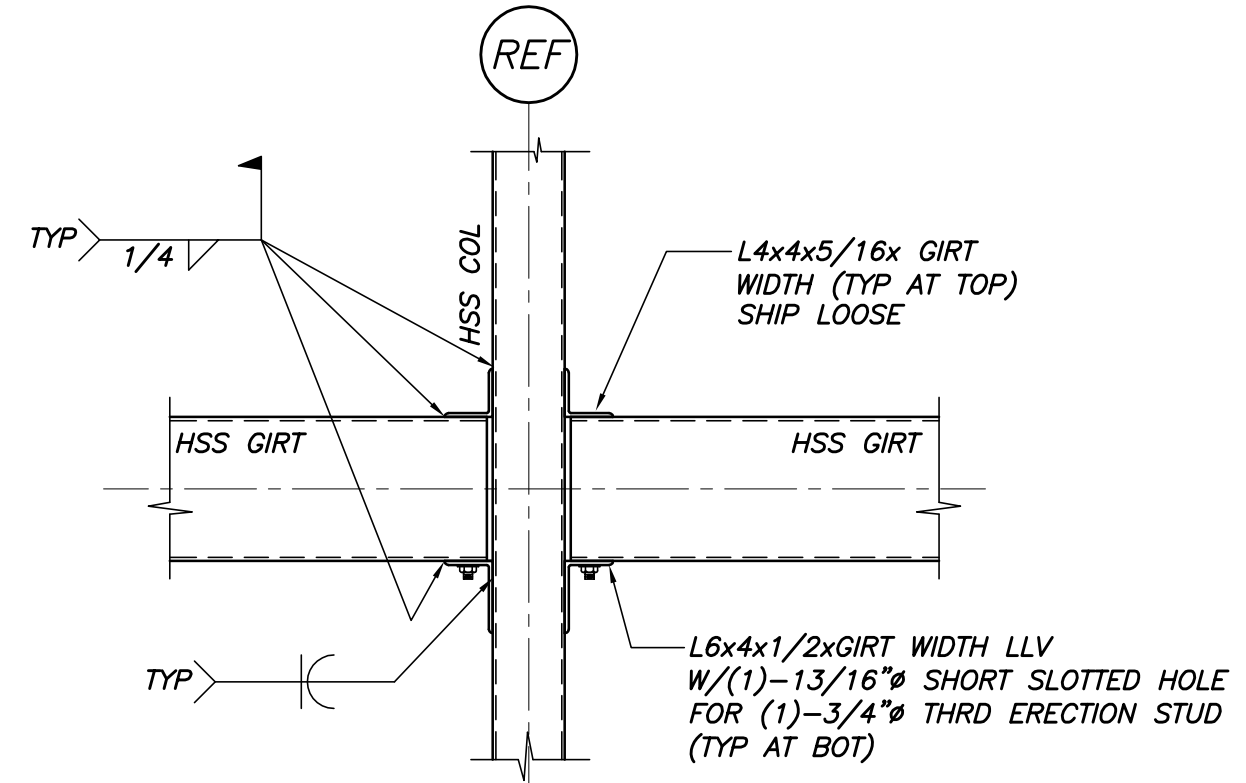


TYP SUPPORT DETAIL @ HANGING EQUIP
N.T.S.



PLAN OF TYP OPENING IN FRAME AT ROOF & FLOOR DECK
N.T.S.

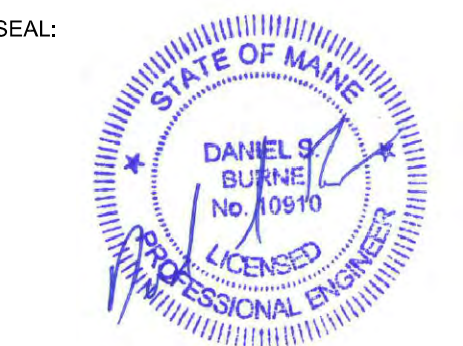
- NOTE:
- DETAIL TYPICAL AT ROOF & FLOOR LEVELS TO INCLUDE DRAINS, EXHAUST FANS AND OTHER MECH AND HVAC EQUIP IF OPENING IS LARGER THAN 12" OR CUTS MORE THAN (2) ROOF DECK RIBS. FOR OPENINGS LESS THAN 12" OR GREATER THAN 3", REINF OPNG W/16GA MIN PL. MIN PL LENGTH SHALL BE "D"+4". EXTEND AS REQD FOR 2" MIN BRG ON DECK RIB. NOTE: DETAIL OF FRAME ALSO APPLIES BELOW ROOFTOP EQUIP WITHOUT DECK PENETRATION.
 - AT GROUPS OF CORE DRILLED HOLES PROVIDE ANGLE FRAME AROUND GROUP UNLESS INDIVIDUAL HOLES ARE SEPARATED BY A MINIMUM OF 12" EDGE TO EDGE.



TYP HSS GIRTS TO HSS COL DETAIL U.N.O.
N.T.S.

PROJECT NAME:
WAYNFLEET LOWER SCHOOL ADDITION & RENOVATIONS

WAYNFLEET SCHOOL
360 SPRING STREET
PORTLAND, MAINE 04102



THIS DRAWING IS THE PROPERTY OF SCOTT SIMONS ARCHITECTS (SSA) AND IS NOT TO BE COPIED OR REPRODUCED IN PART OR WHOLE.
2012 © SCOTT SIMONS ARCHITECTS, LLC

REVISION:

NO.	DESCRIPTION	DATE

DATE OF ISSUE: 12 JANUARY 2017
PROJECT NUMBER: 3660
STATUS: ISSUED FOR BID

FRAMING SECTIONS & DETAILS