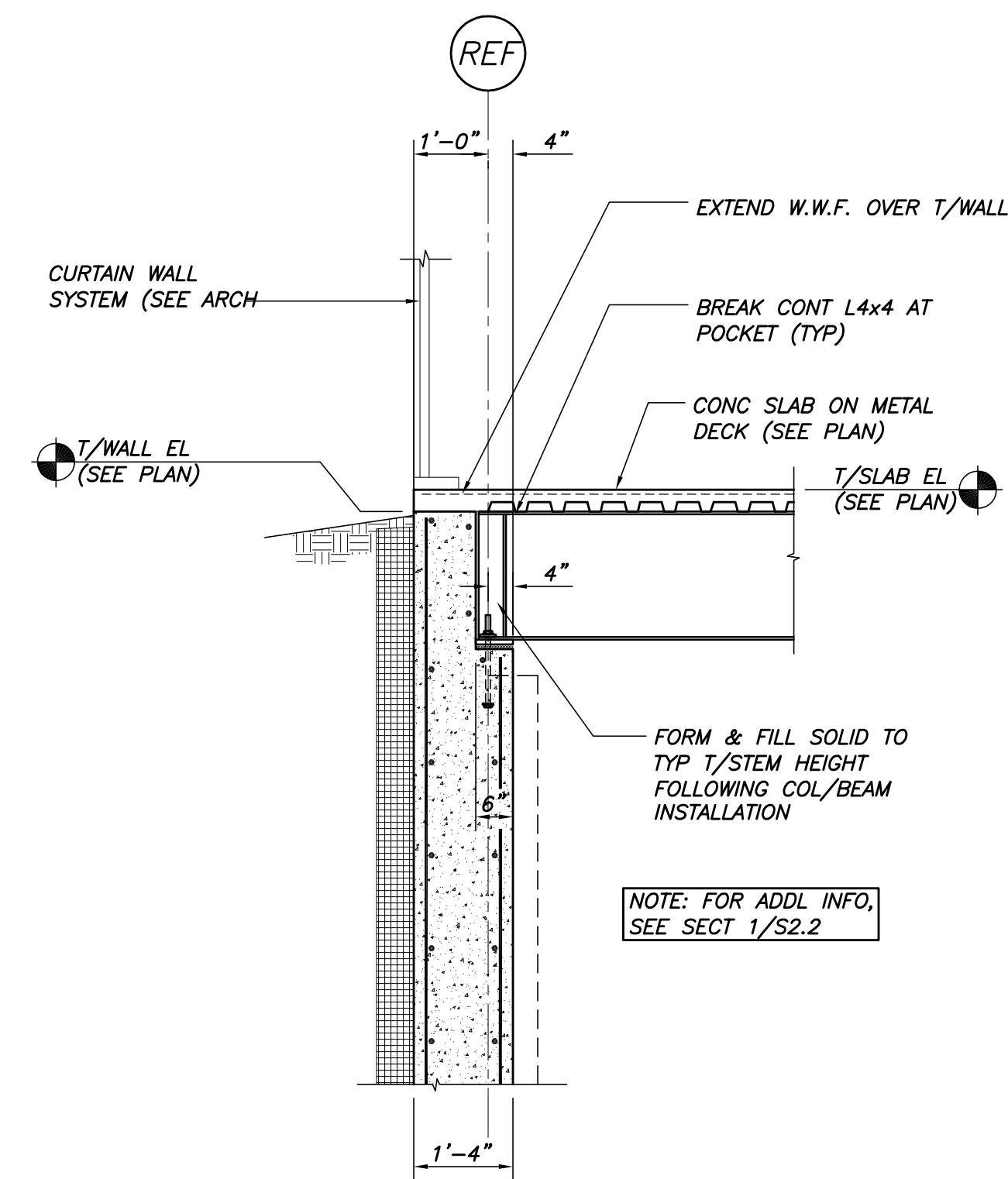
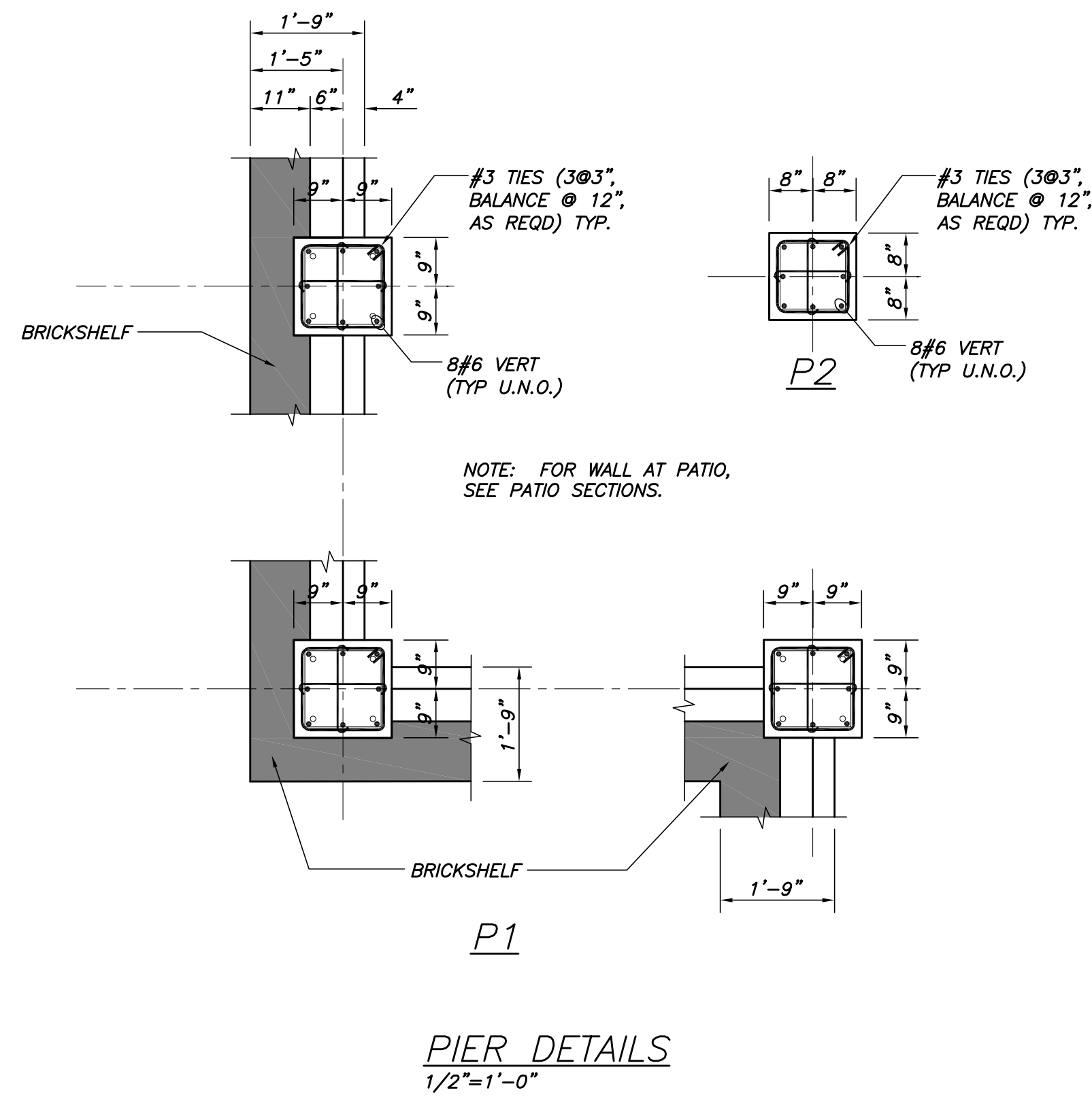


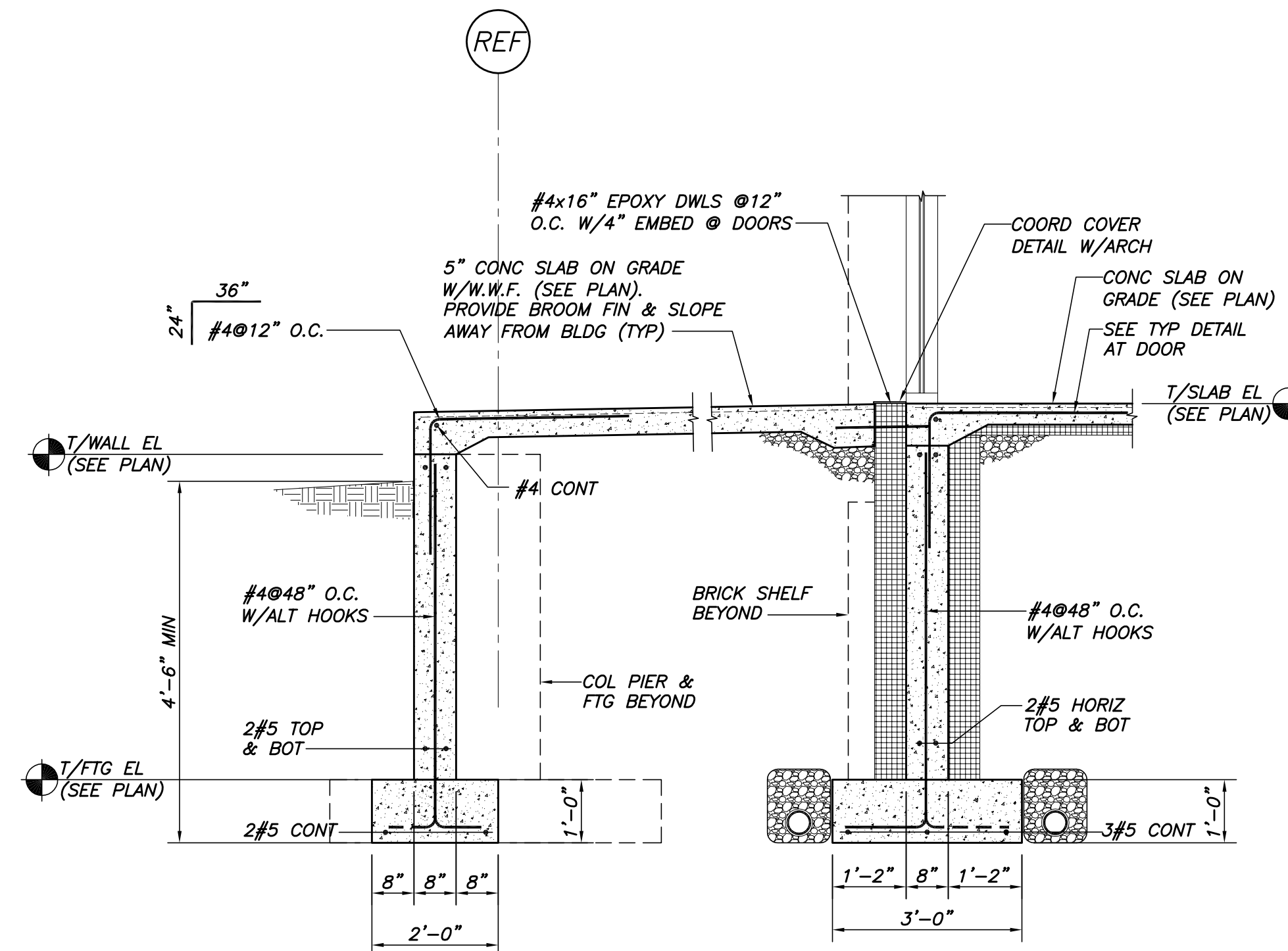
SECTION 1
1/2"=1'-0"



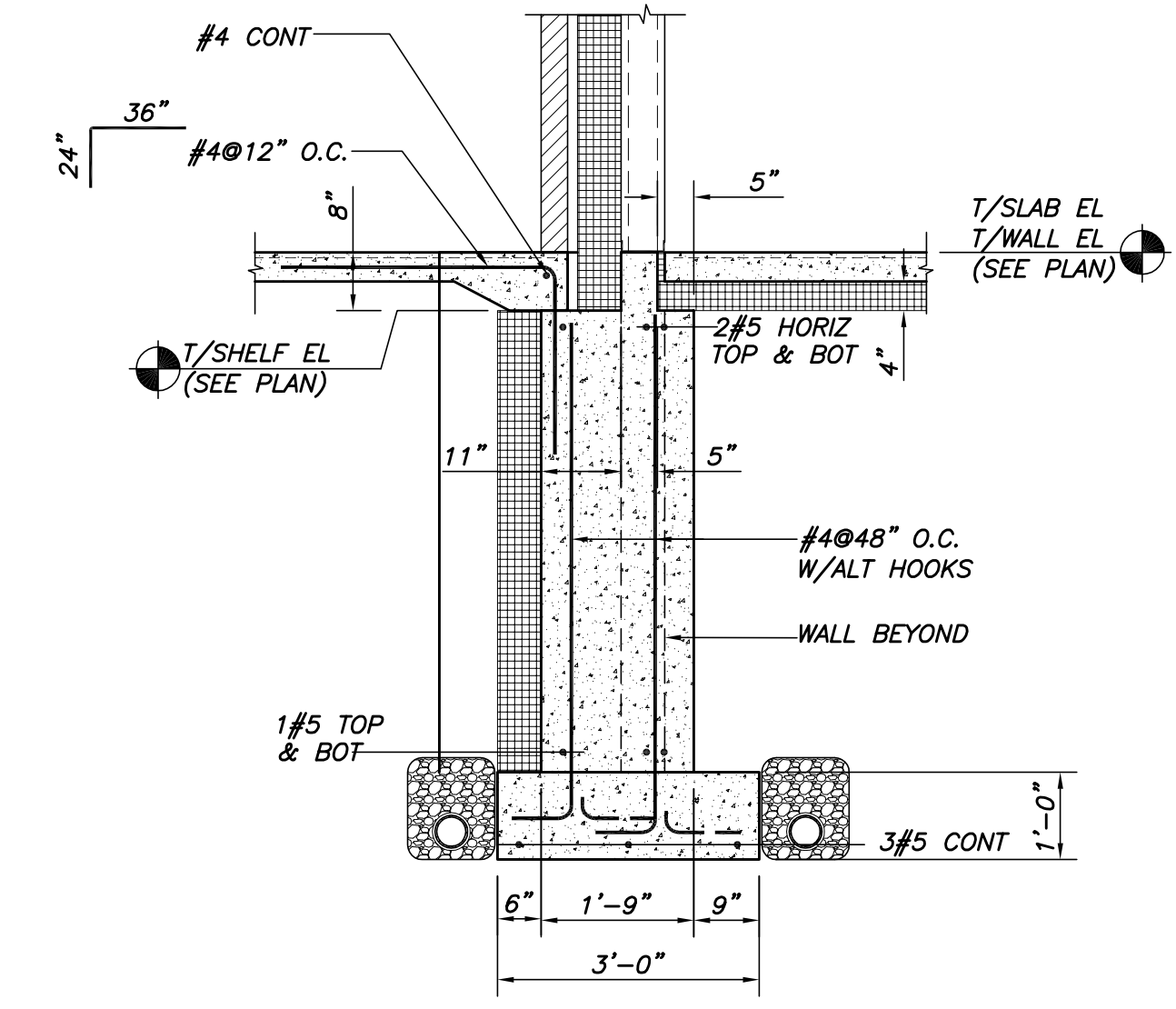
SECTION 2
1/2"=1'-0"



PIER DETAILS
1/2"=1'-0"



SECTION 5
1/2"=1'-0"

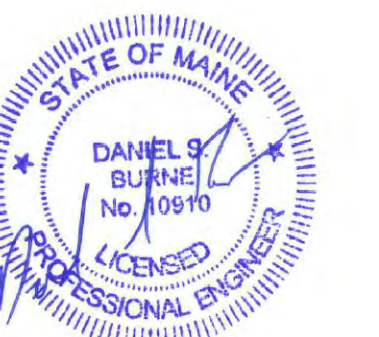


SECTION 5A
1/2"=1'-0"

PROJECT NAME:
WAYNFLETE LOWER SCHOOL ADDITION & RENOVATIONS

WAYNFLETE SCHOOL
360 SPRING STREET
PORTLAND, MAINE 04102

SEAL:



THIS DRAWING IS THE PROPERTY OF SCOTT SIMONS ARCHITECTS (SSA) AND IS NOT TO BE COPIED OR REPRODUCED IN PART OR WHOLE
2012 © SCOTT SIMONS ARCHITECTS, LLC

REVISION:

DATE OF ISSUE: 12 JANUARY 2017
PROJECT NUMBER: 3660
STATUS: ISSUED FOR BID

FOUNDATION SECTIONS & DETAILS

S2.3