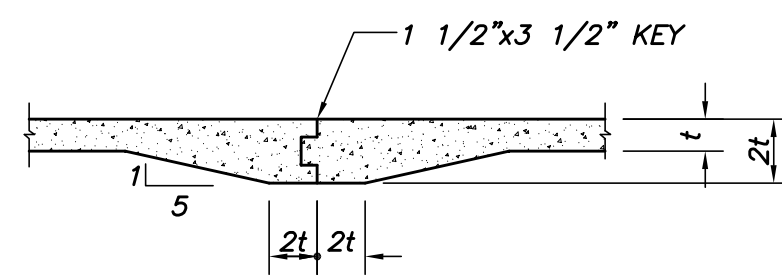
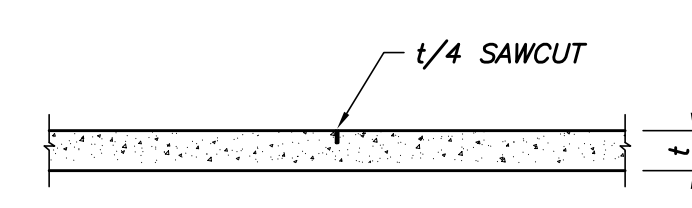


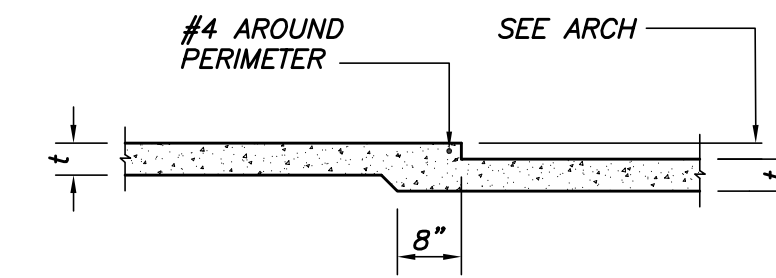
TYP SLAB DETAIL
N.T.S.



TYP SLAB ON GRADE CONST JOINT DETAIL
N.T.S. t = WALL THICKNESS

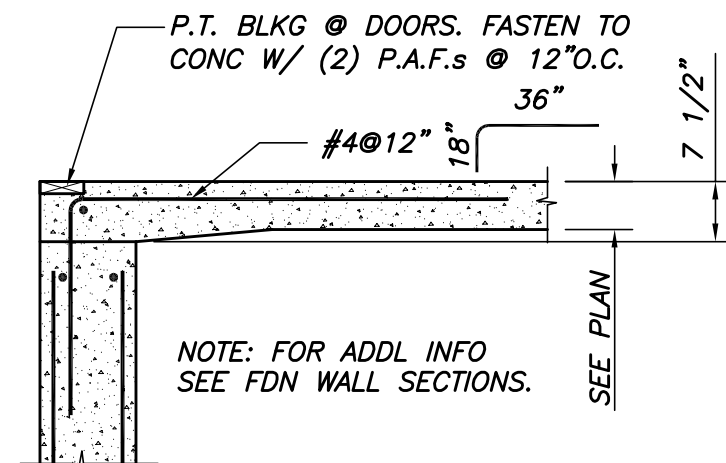


TYP SLAB ON GRADE CONTRACTION JOINT DETAIL
N.T.S.

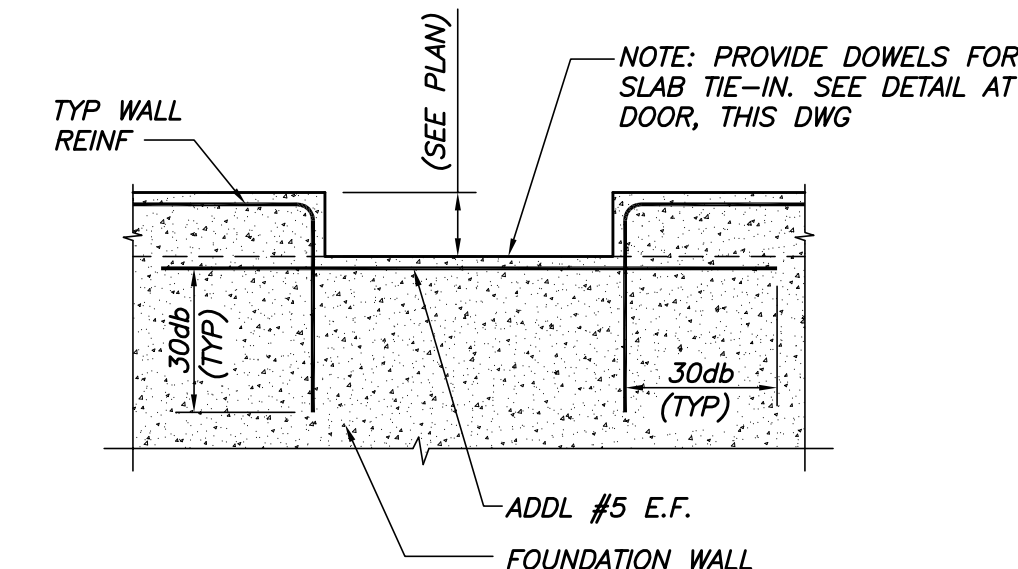


TYP SLAB DEPRESSION DETAIL
1/2" = 1'-0"

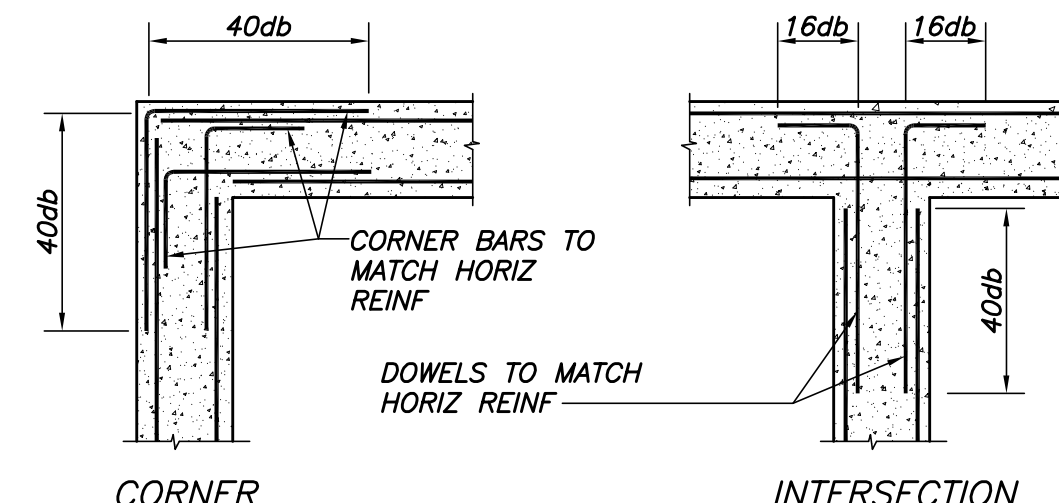
BAR SIZE	LAP LENGTH	
	3,500 PSI	5,000 PSI
#3	30"	18"
#4	36"	24"
#5	48"	30"
#6	64"	36"
#7	81"	52"



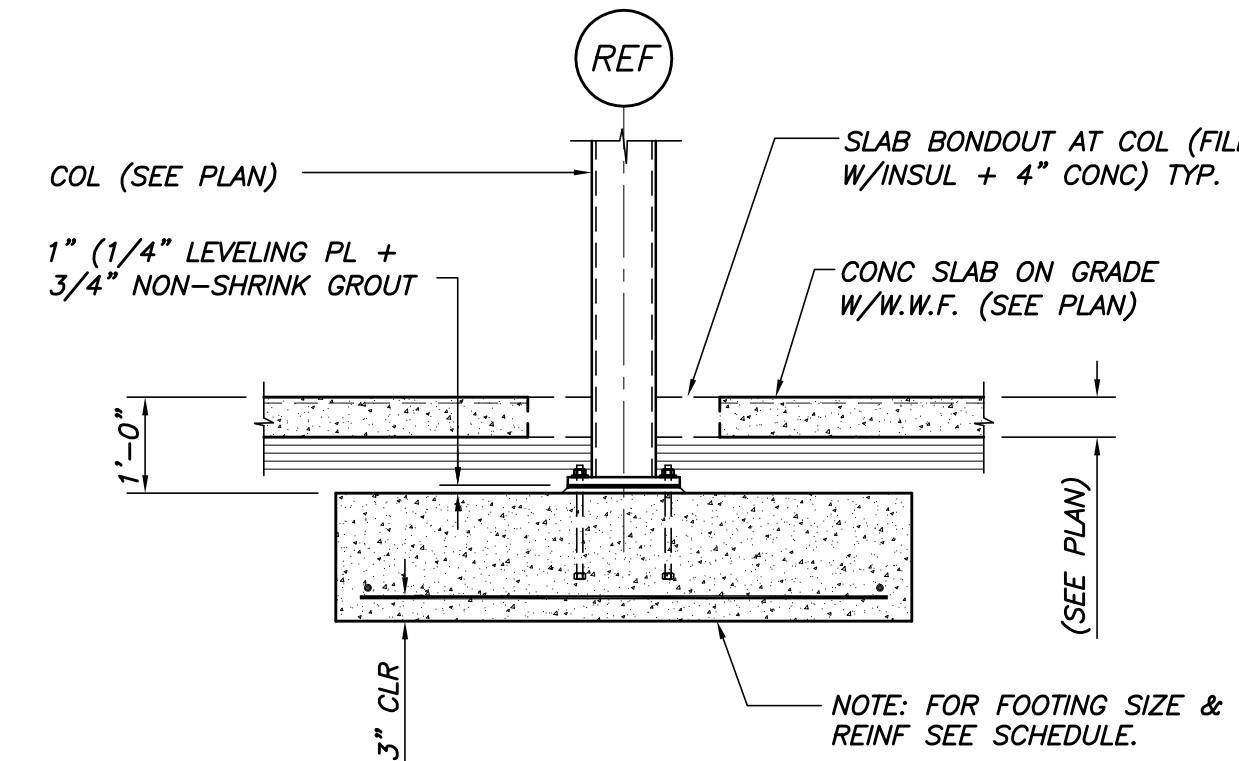
TYP SLAB DETAIL @ DOOR
N.T.S. t = SLAB THICKNESS



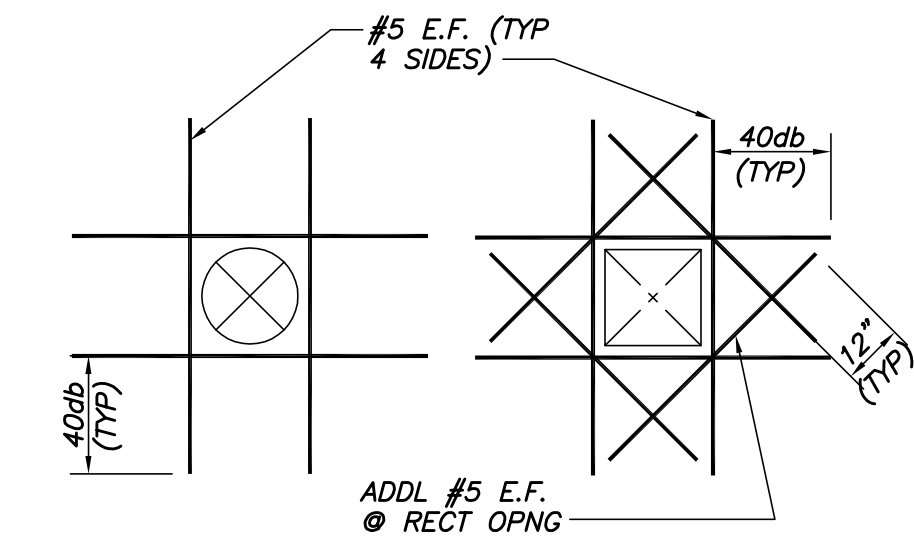
TYP WALL DEPRESSION DETAIL AT DOOR
N.T.S.



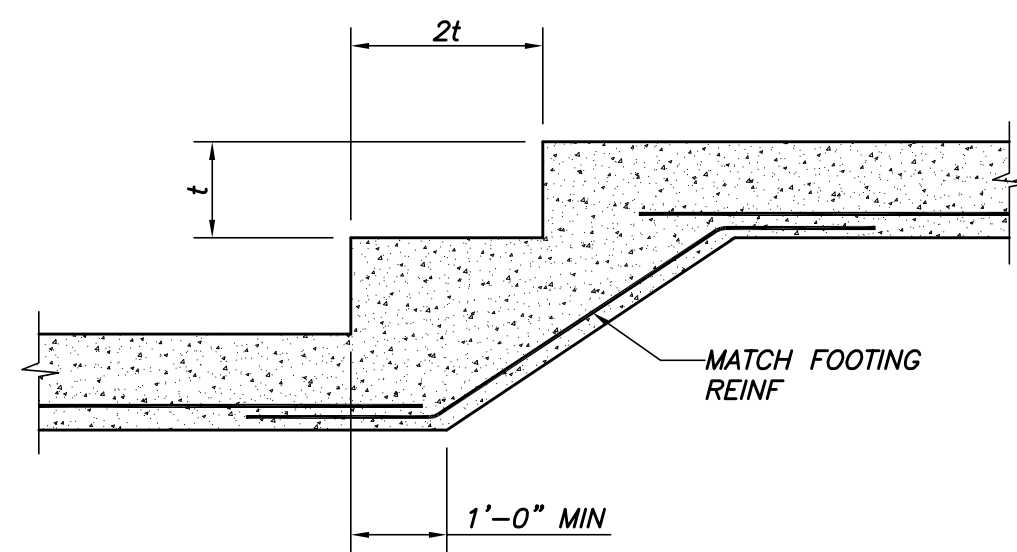
TYP WALL REINF DETAILS
N.T.S.



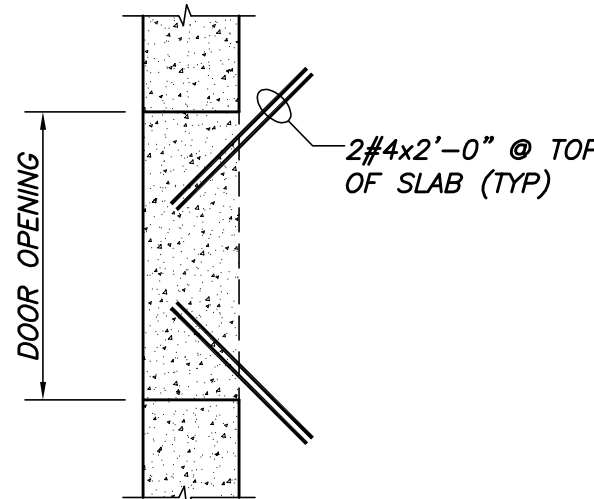
TYP INTERIOR FOOTING DETAIL
N.T.S.



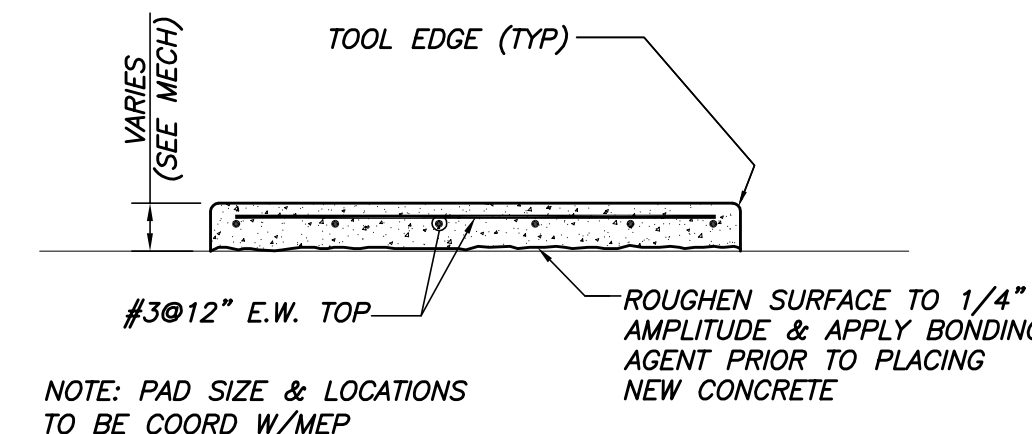
TYP OPENING IN WALL OR SLAB
N.T.S.



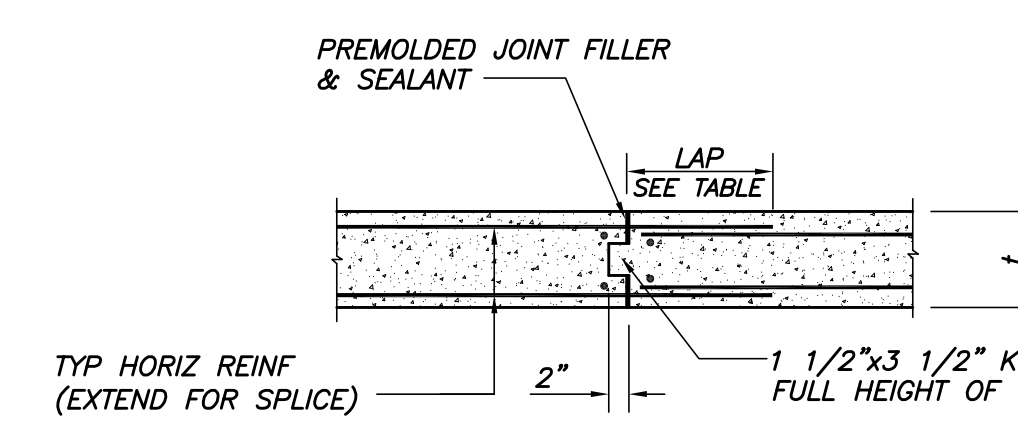
TYP STEP FOOTING DETAIL
N.T.S. t = FOOTING THICKNESS



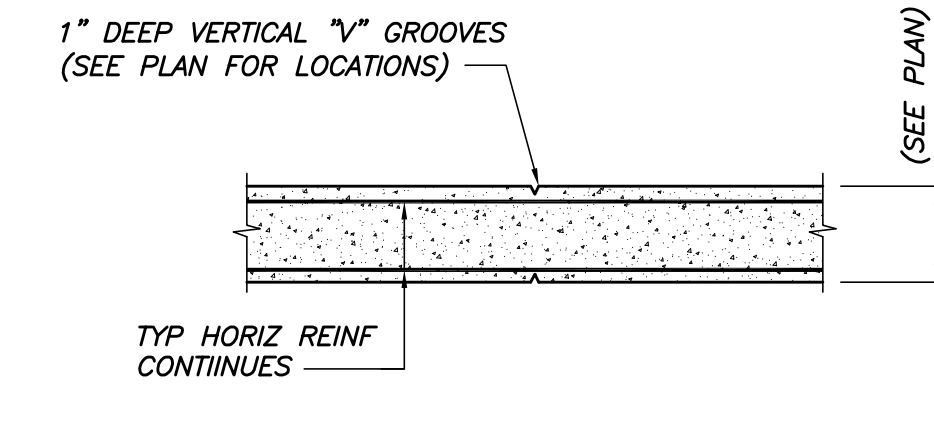
TYP SLAB CORNER DETAIL @ DOOR
N.T.S.



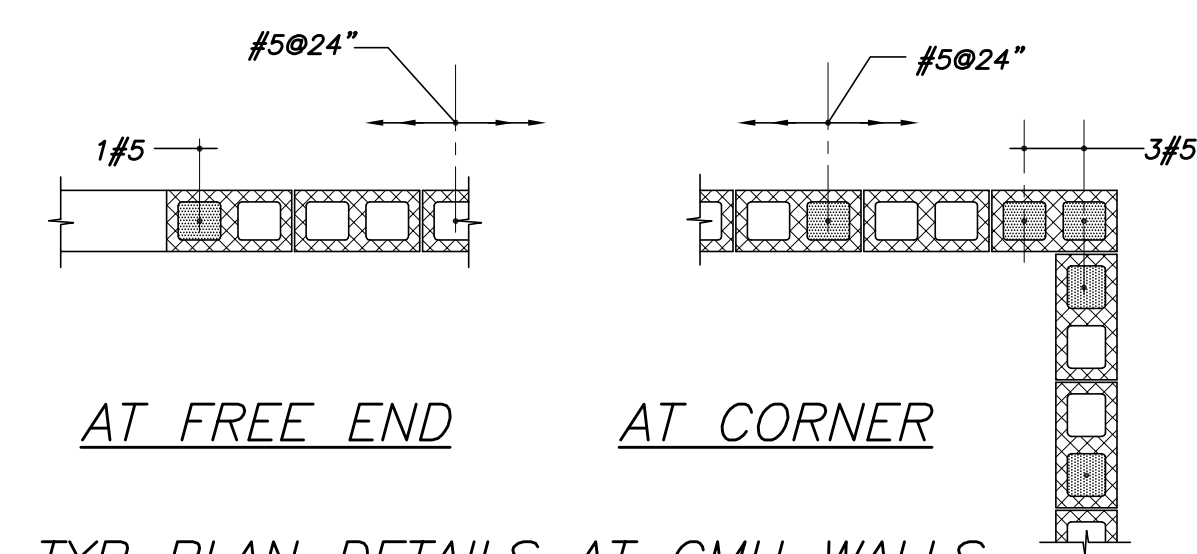
TYP EQUIPMENT HOUSEKEEPING PAD DETAIL
1/2" = 1'-0"



TYP CONSTRUCTION JOINT IN WALL
N.T.S. t = WALL THICKNESS

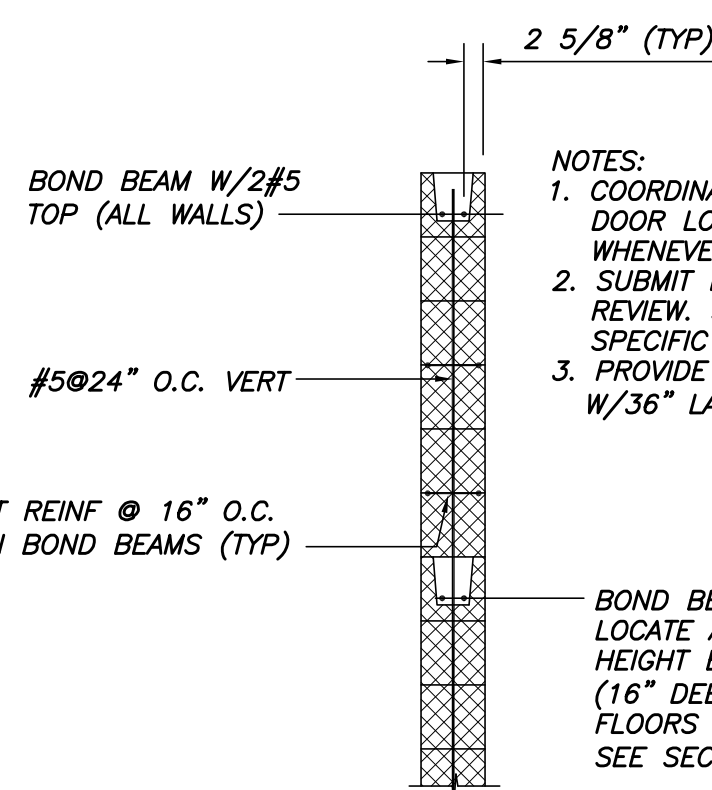


TYP CONTROL JOINT IN WALL
N.T.S.



TYP PLAN DETAILS AT CMU WALLS
N.T.S.

- NOTES:
1. PROVIDE TRUSS TIE HORIZ REINF @ 16" O.C., UN.O.
 2. ALL REINFORCED CELLS ARE TO BE GROUTED.
 3. LAP BARS AT SPLICES MIN. 48 BAR DIAMETERS.

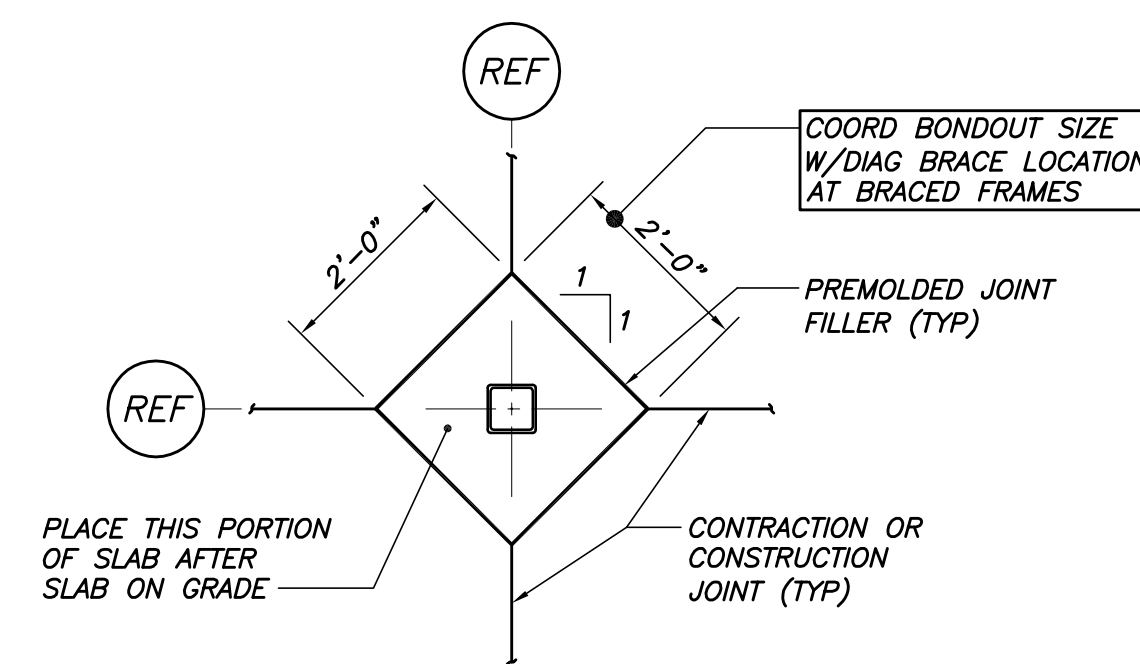


CMU WALL SECTION
N.T.S.

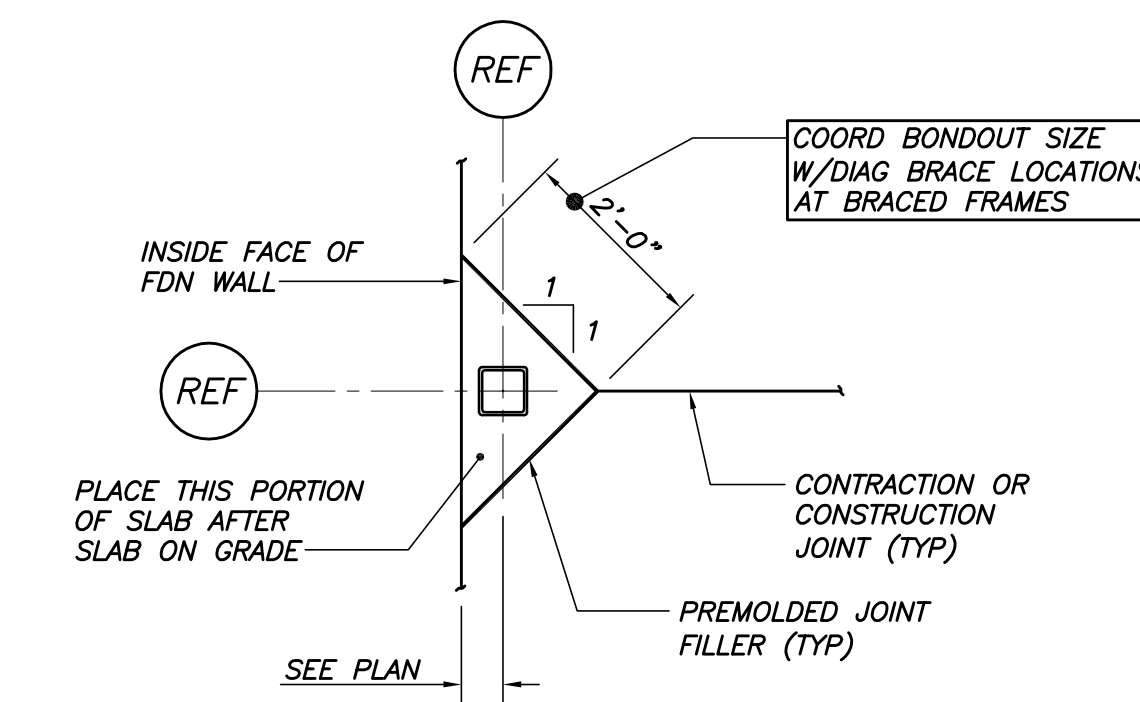
CMU LINTEL SCHEDULE			
CLEAR SPAN	WIDTH	DEPTH	REINF
< 6'-0"	8"	8"	2#5 CONT

- NOTES:
1. COORDINATE BOND BEAM LOCATIONS WITH WINDOW & DOOR LOCATIONS PROVIDE CONTINUOUS BOND BEAMS WHENEVER POSSIBLE.
 2. SUBMIT MASONRY REINFORCING SHOP DRAWINGS FOR REVIEW. SEE THE GENERAL NOTES & SPECS FOR SPECIFIC REQUIREMENTS.
 3. PROVIDE CORNER BARS FOR BOND BEAM REINF W/36" LAP.

BOND BEAMS W/2#5 CONT LOCATE AT FLOORS & MID HEIGHT BETWEEN FLOORS. (16" DEEP BOND BEAMS @ FLOORS WHERE REQUIRED-SEE SECTIONS)



TYP INT COLUMN ISOLATION JOINT DETAIL
N.T.S.



TYP EXT COLUMN ISOLATION JOINT DETAIL
N.T.S.

