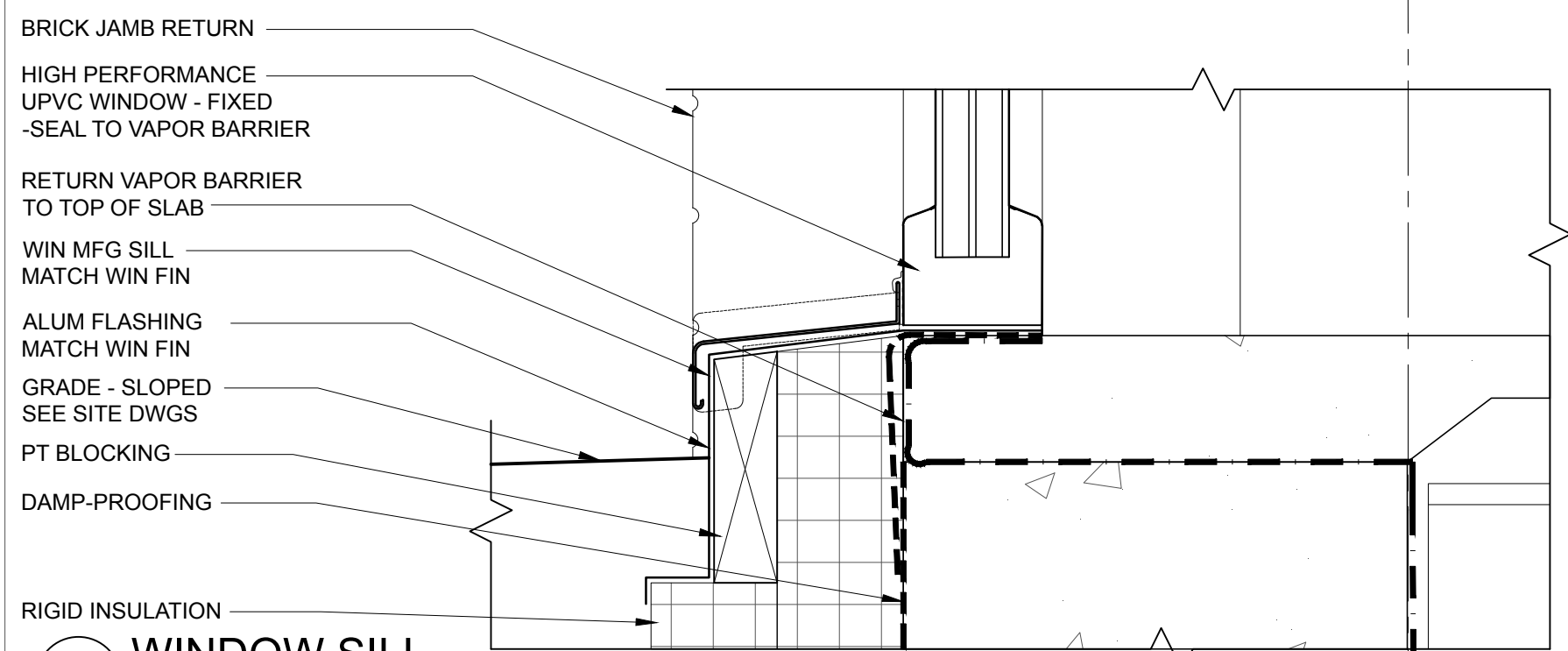
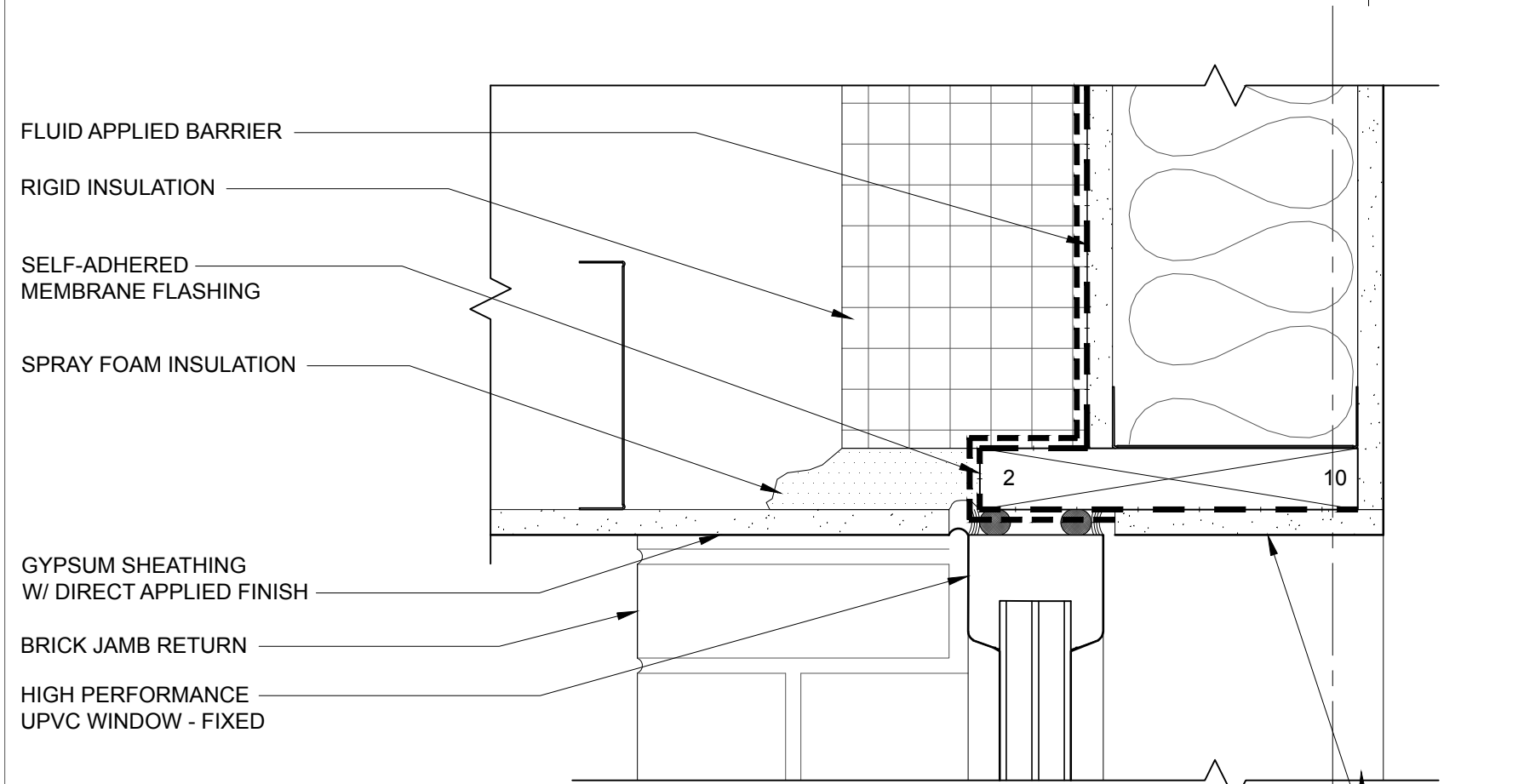


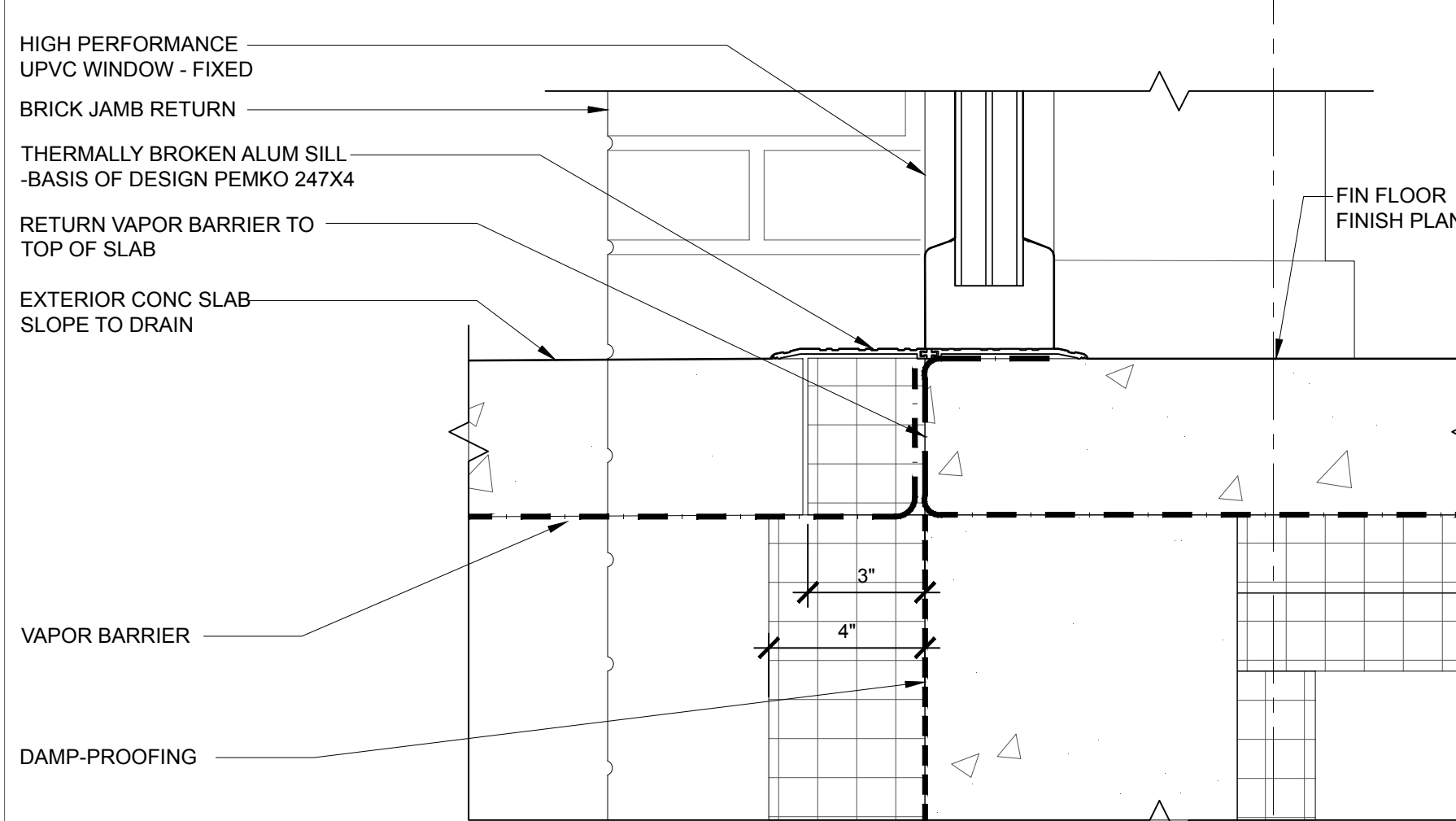
**1 WINDOW HEAD**  
SCALE: 3" = 1'-0"



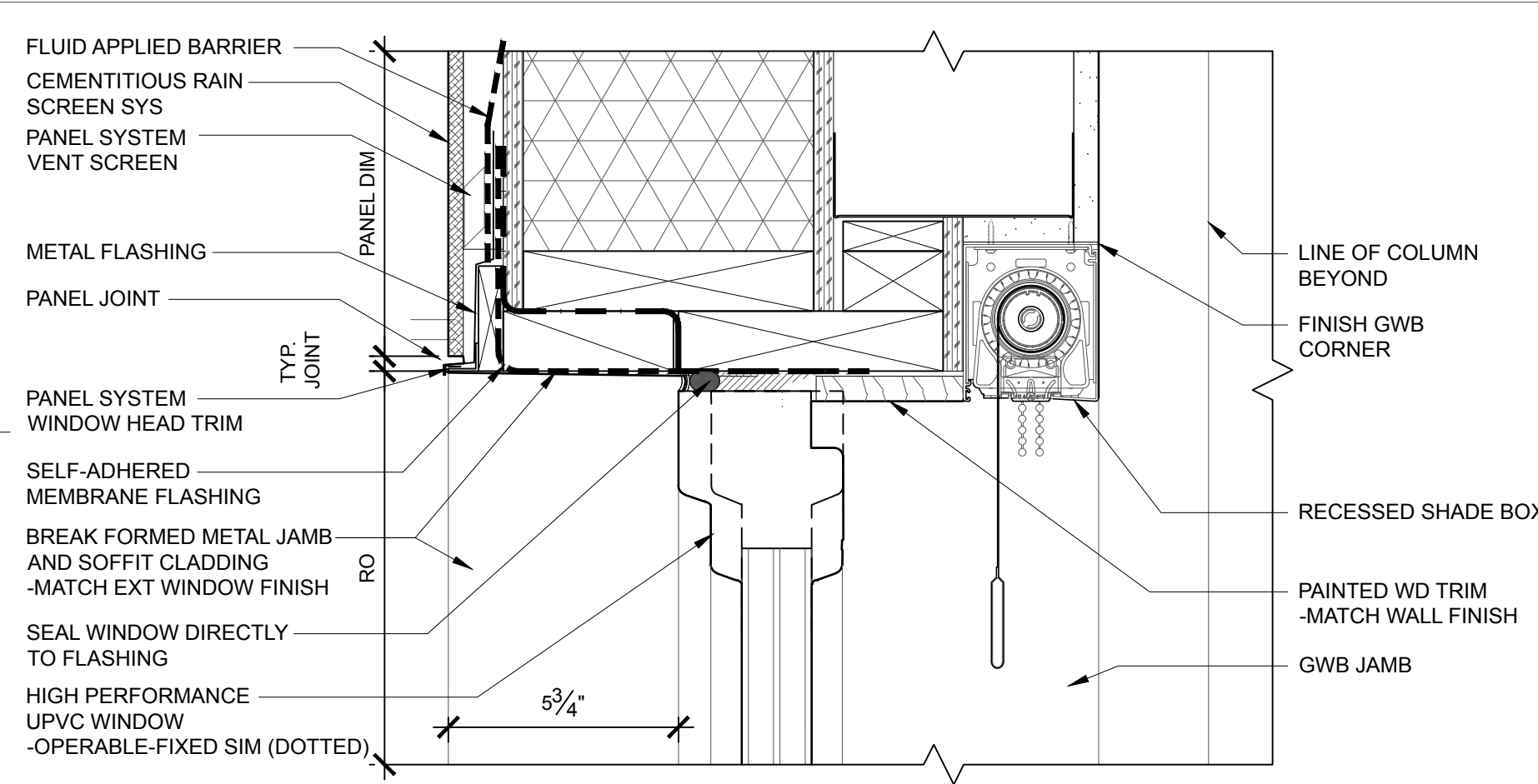
**2 WINDOW SILL**  
SCALE: 3" = 1'-0"



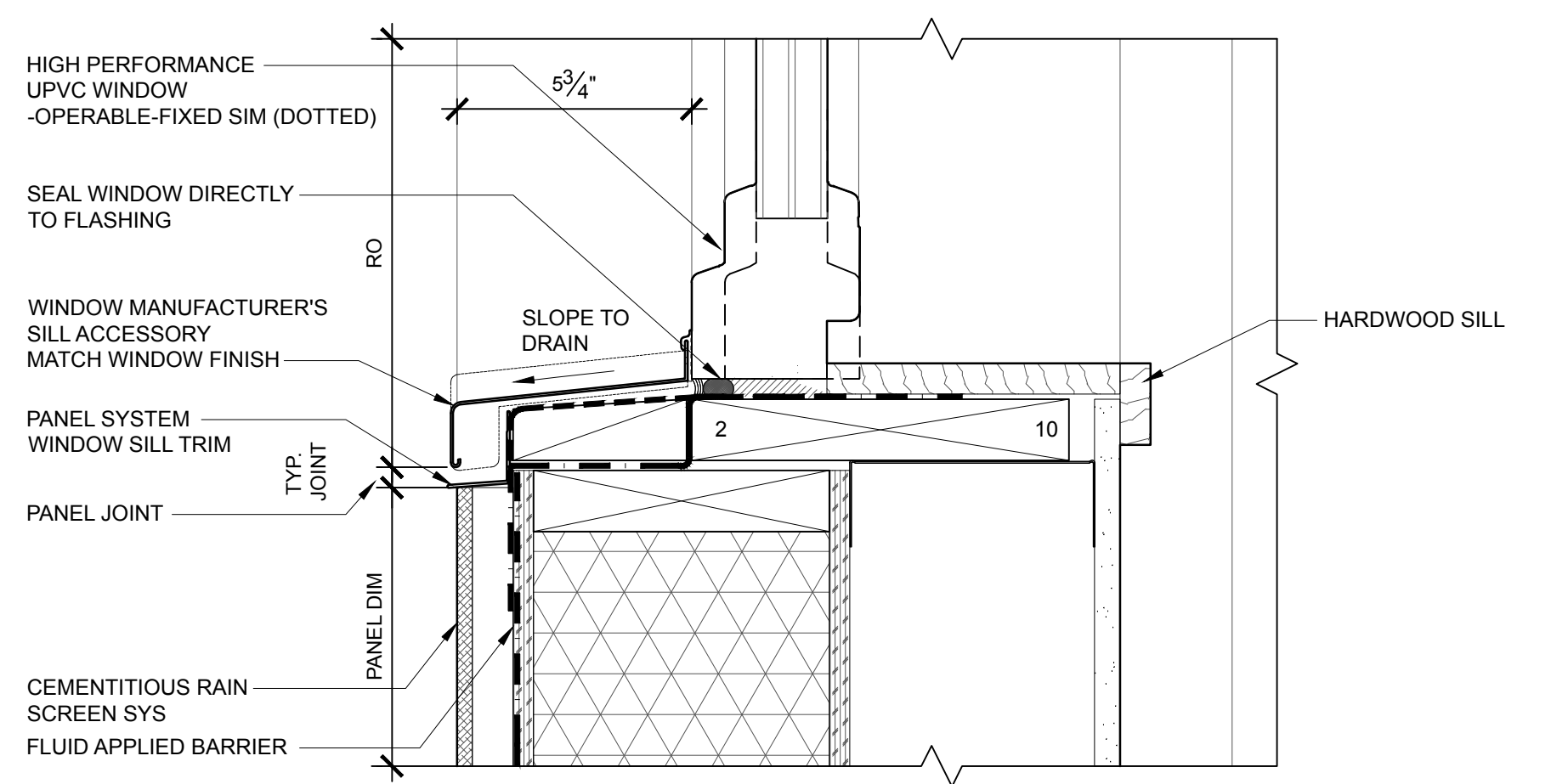
**3 WINDOW HEAD**  
SCALE: 3" = 1'-0"



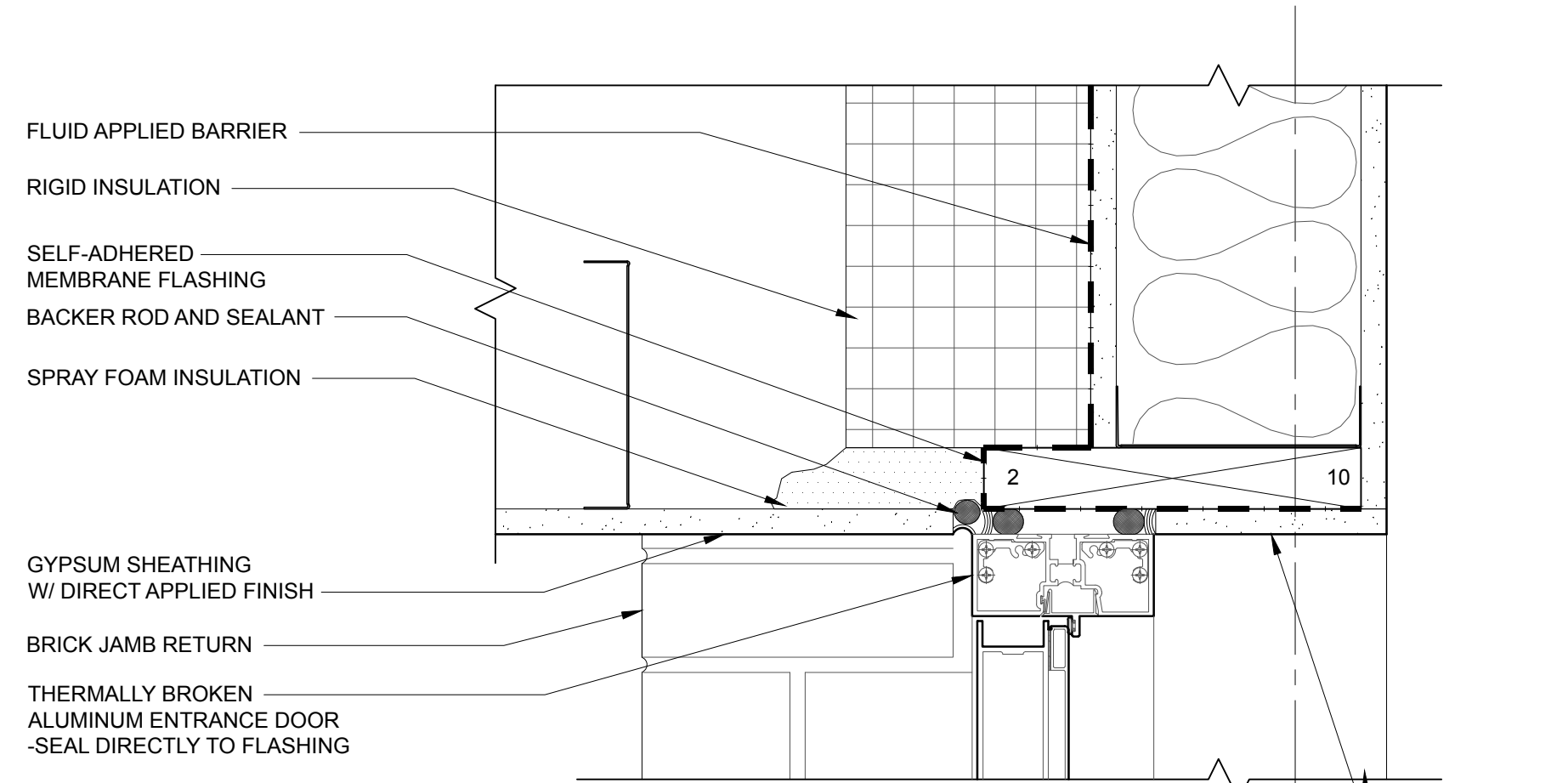
**4 WINDOW SILL**  
SCALE: 3" = 1'-0"



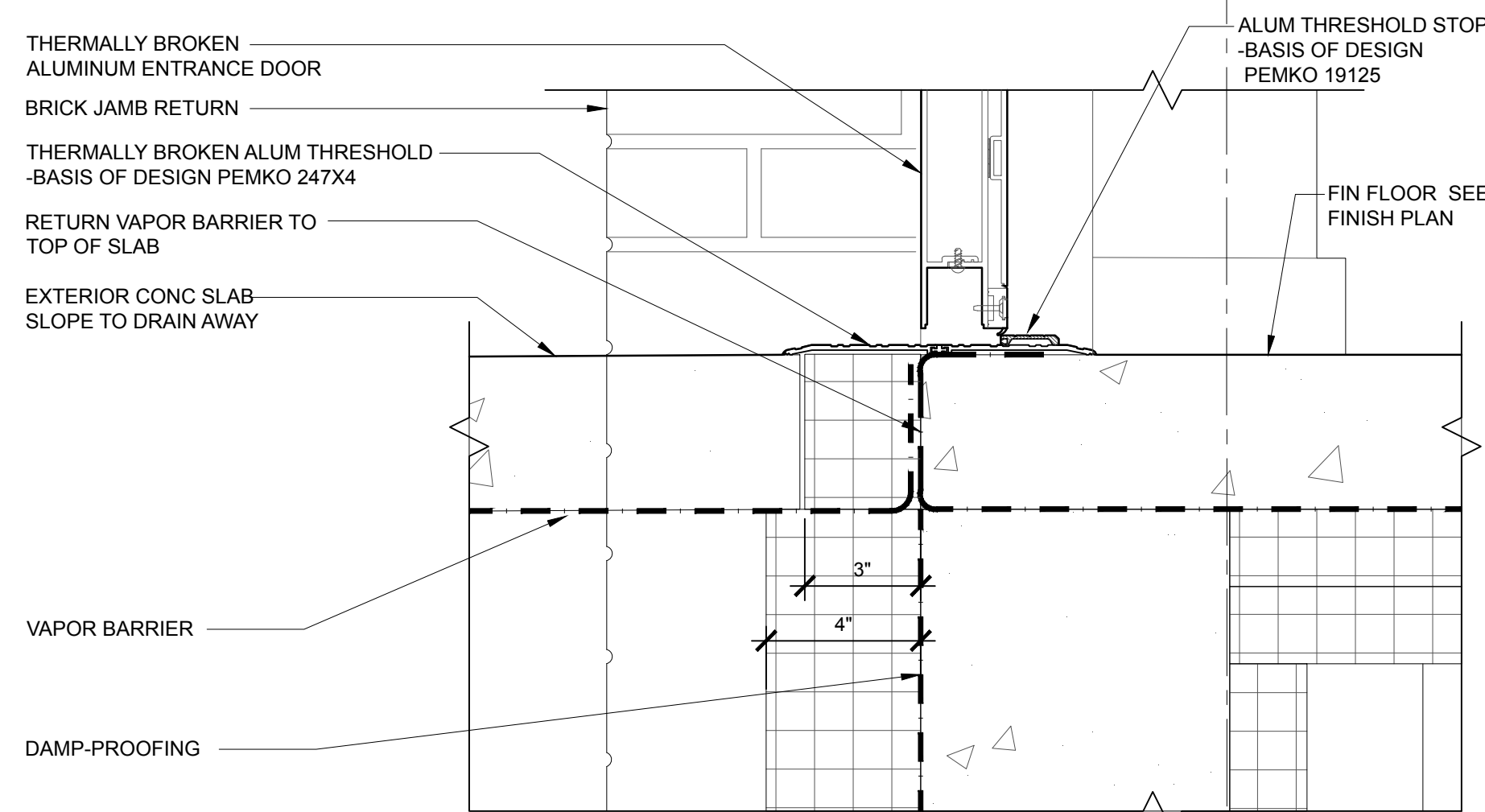
**5 WINDOW HEAD**  
SCALE: 3" = 1'-0"



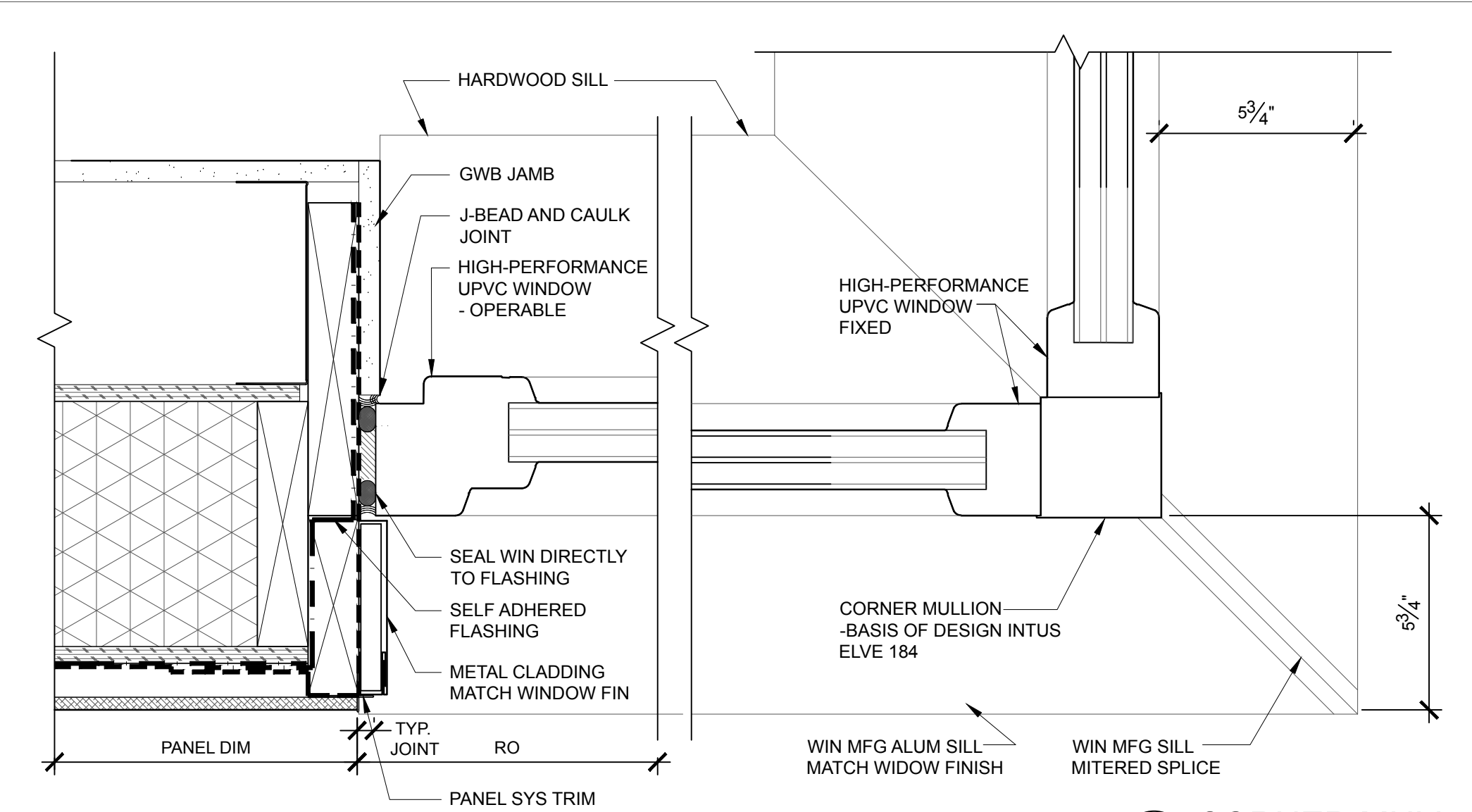
**6 WINDOW SILL**  
SCALE: 3" = 1'-0"



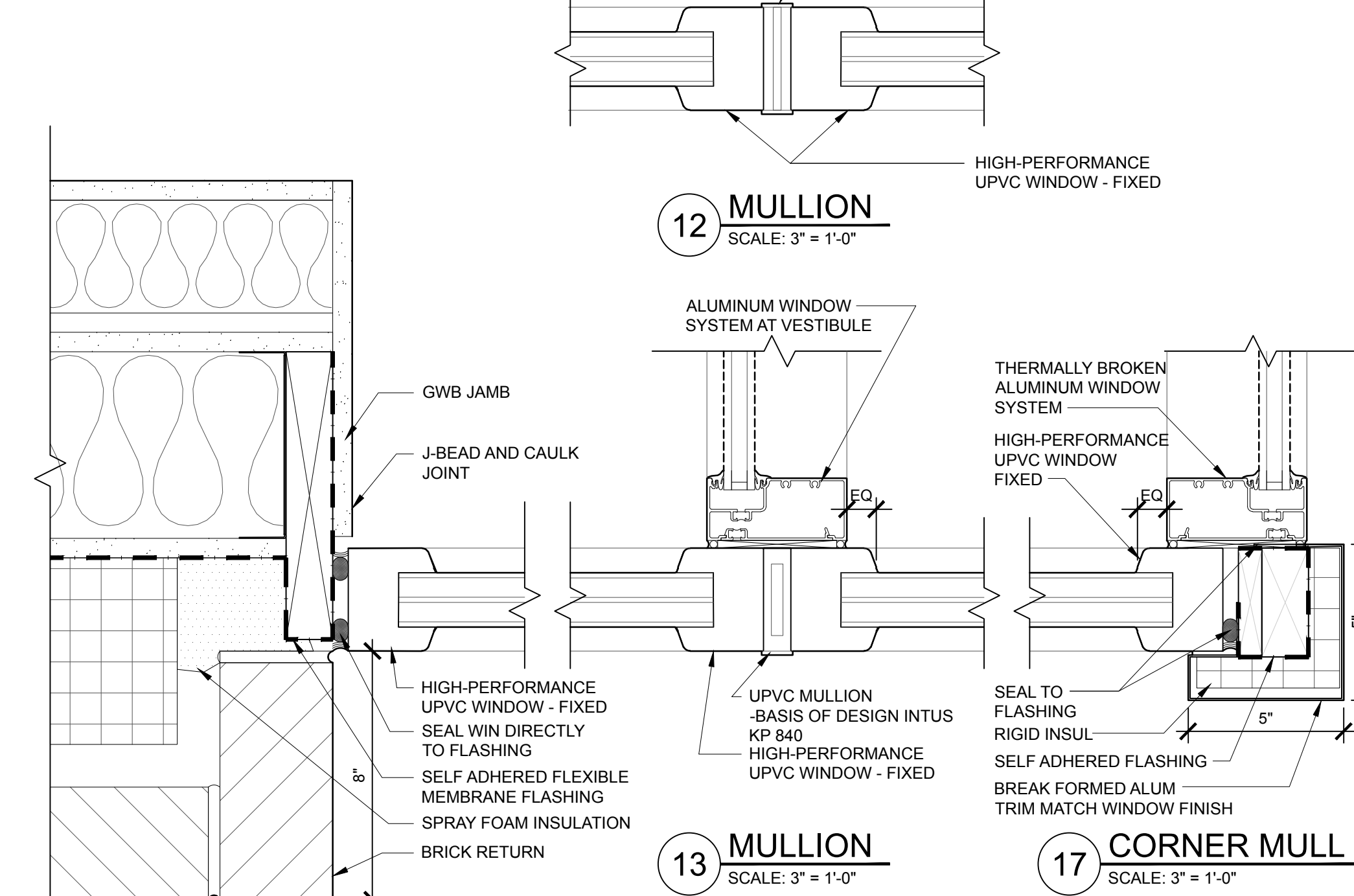
**7 DOOR HEAD**  
SCALE: 3" = 1'-0"



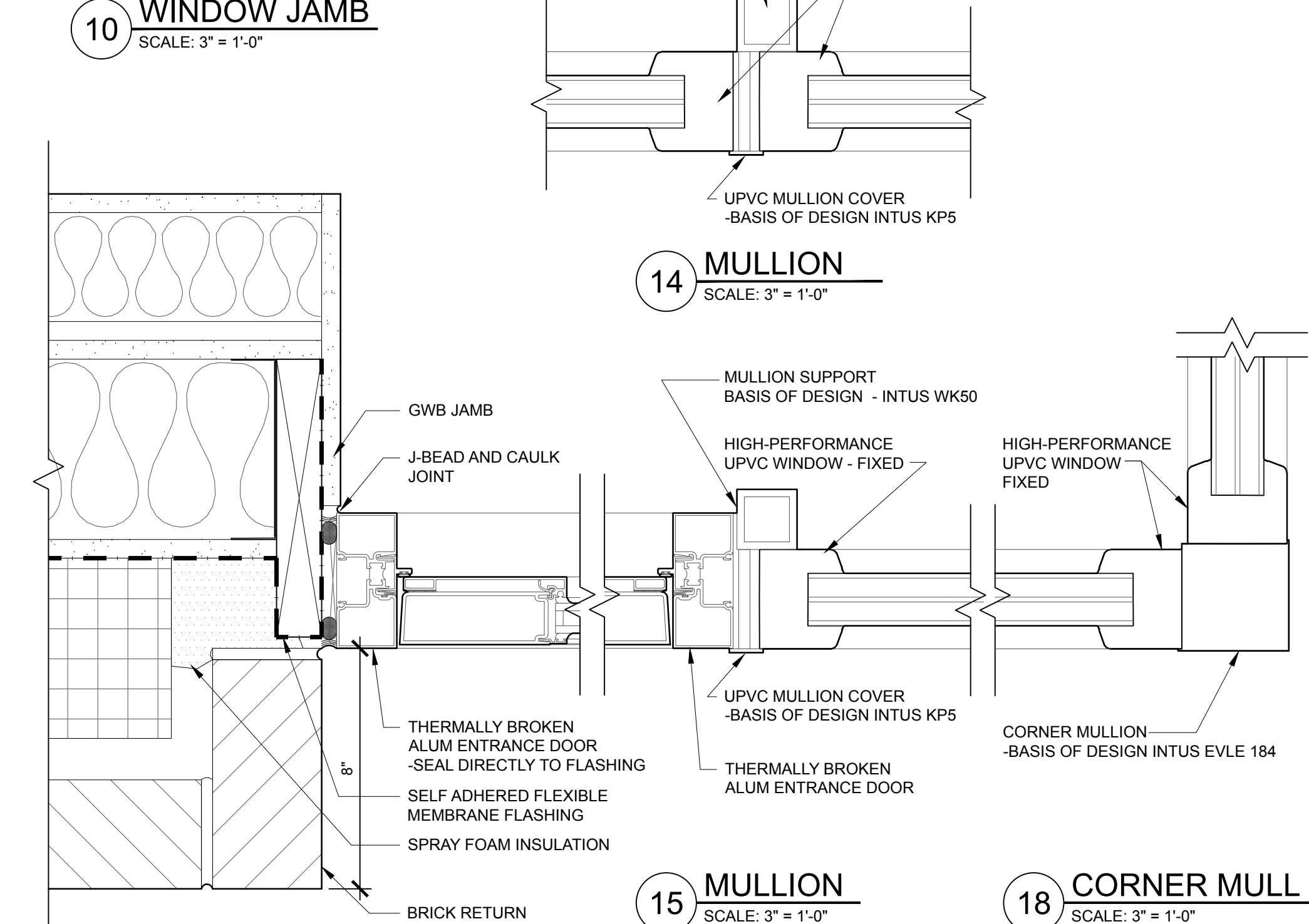
**8 DOOR SILL**  
SCALE: 3" = 1'-0"



**9 WINDOW JAMB**  
SCALE: 3" = 1'-0"



**10 WINDOW JAMB**  
SCALE: 3" = 1'-0"



**11 WINDOW JAMB**  
SCALE: 3" = 1'-0"

**16 CORNER MULLION**  
SCALE: 3" = 1'-0"

**12 MULLION**  
SCALE: 3" = 1'-0"

**13 MULLION**  
SCALE: 3" = 1'-0"

**14 MULLION**  
SCALE: 3" = 1'-0"

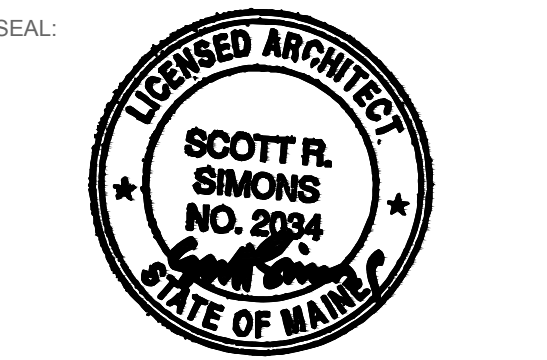
**15 MULLION**  
SCALE: 3" = 1'-0"

**17 CORNER MULLION**  
SCALE: 3" = 1'-0"

**18 CORNER MULLION**  
SCALE: 3" = 1'-0"

PROJECT NAME:  
**WAYNFLETE LOWER SCHOOL**  
ADDITION & RENOVATIONS

WAYNFLETE SCHOOL  
360 SPRING STREET  
PORTLAND, MAINE 04102



THIS DRAWING IS THE PROPERTY OF SCOTT SIMONS ARCHITECTS (SSA) AND IS NOT TO BE COPIED OR REPRODUCED IN PART OR WHOLE 2016 © SCOTT SIMONS ARCHITECTS, LLC

REVISION:

1	DATE
2	DATE
3	DATE
4	DATE
5	DATE
6	DATE

DATE OF ISSUE: 12 JANUARY 2017  
PROJECT NUMBER: 2013-0050  
STATUS: 100% CONSTRUCTION DOCUMENTS ISSUED FOR BID

**WINDOW SCHEDULE AND DETAILS - FOUNDERS**

**A611**