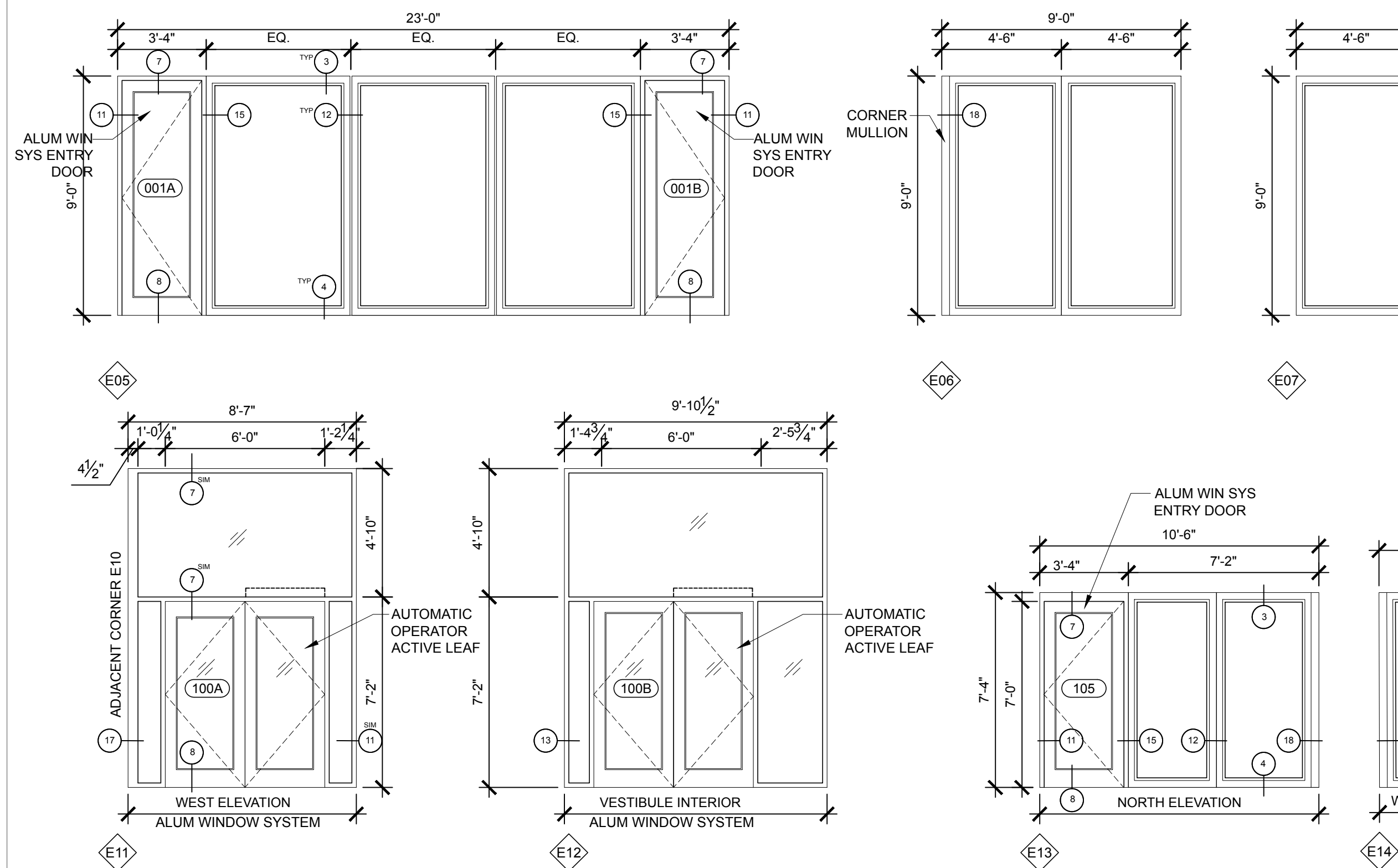
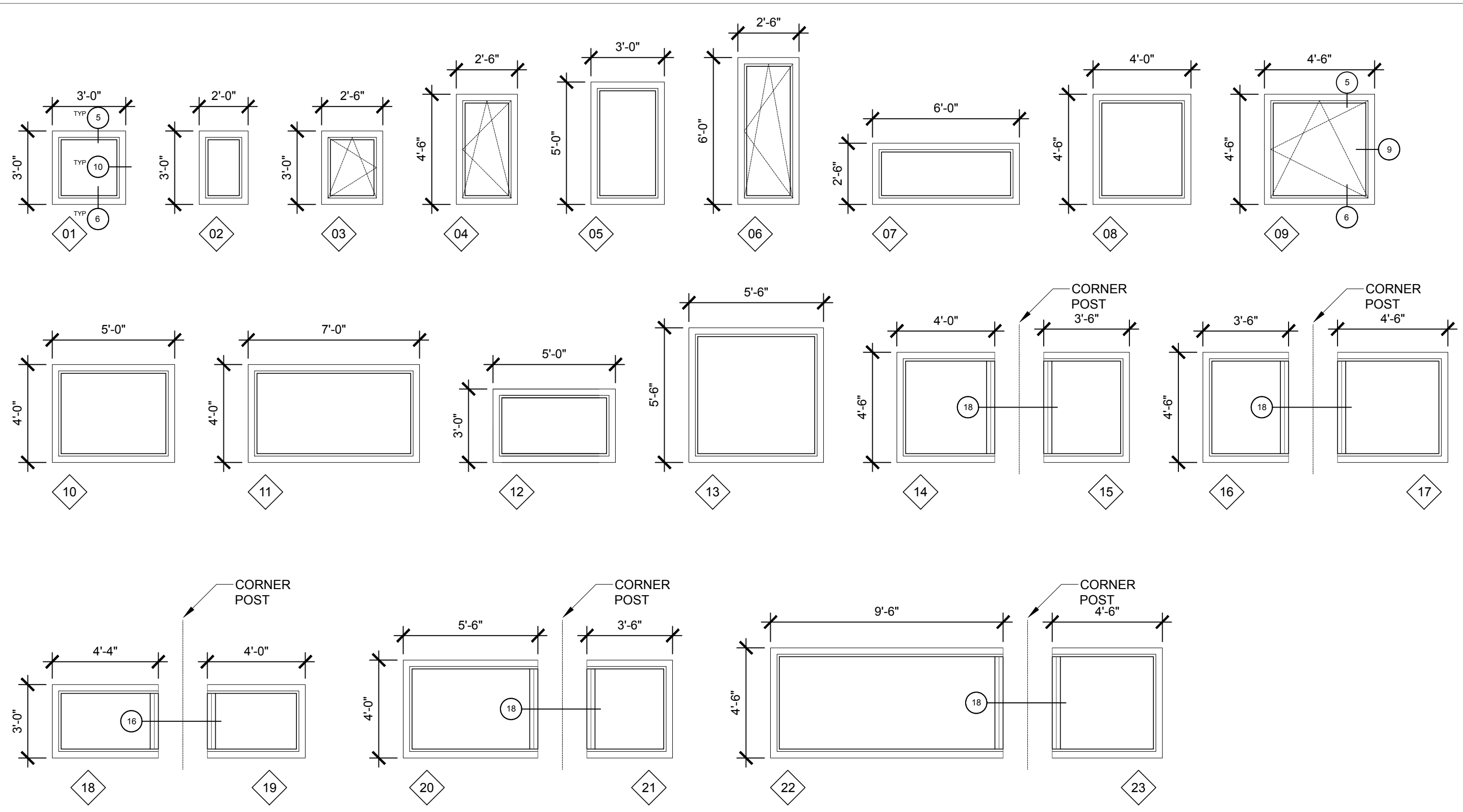


LOWER SCHOOL WINDOW SCHEDULE															
TYPE	MFR	OPERATION	FRAME		ROUGH OPENING		DETAILS			FINISH TYPE	SCREEN	SHADES	NOTES		
			WIDTH	HEIGHT	JAMB	WIDTH	HEIGHT	JAMB	HEAD					JAMB	SILL
EXTERIOR WINDOWS															
01	INTUS	FIXED				3'-0"	3'-0"					1	NO	YES	PROVIDE MANUAL SHADE LOCATED IN ROOM(S) 120A
02	INTUS	FIXED				2'-0"	3'-0"					2	NO	YES	PROVIDE MANUAL SHADE LOCATED IN ROOM(S) 105C, 105B
03	INTUS	TILT/TURN				2'-6"	3'-0"					3	NO	YES	PROVIDE MANUAL SHADE LOCATED IN ROOM(S) 105E
04	INTUS	TILT/TURN				2'-6"	4'-6"					1 & 3	YES	YES	PROVIDE MANUAL SHADE LOCATED IN ROOM(S) 120A, 105C, 205B, 211
05	INTUS	FIXED				3'-0"	5'-0"					1	YES	YES	PROVIDE MANUAL SHADE LOCATED IN ROOM(S) 120A, 105D, 215F, 215G
06	INTUS	TILT/TURN				2'-6"	6'-0"					1	NO	YES	PROVIDE MANUAL SHADE LOCATED IN ROOM(S) 120A, 105B, 105C, 205E, 205C
07	INTUS	FIXED				6'-0"	2'-6"					1 & 3	NO	YES	PROVIDE MANUAL SHADE LOCATED IN ROOM(S) 105B, 105E
08	INTUS	FIXED				4'-0"	4'-6"					1 & 3	YES	YES	PROVIDE MANUAL SHADE LOCATED IN ROOM(S) 205D
09	INTUS	TILT/TURN				4'-6"	4'-6"					1 & 3	NO	YES	PROVIDE MANUAL SHADE LOCATED IN ROOM(S) 205C, 211
10	INTUS	FIXED				5'-0"	4'-0"					1	NO	YES	PROVIDE MANUAL SHADE LOCATED IN ROOM(S) 120A, 105B, 105C, 103, 205C
11	INTUS	FIXED				7'-0"	4'-0"					1	YES	YES	PROVIDE MANUAL SHADE LOCATED IN ROOM(S) 120A, 105C, 105D, 205E, 205B
12	INTUS	FIXED				5'-0"	3'-0"					1	NO	YES	PROVIDE MANUAL SHADE LOCATED IN ROOM(S) 120A, 205C
13	INTUS	FIXED				5'-6"	5'-6"					1	NO	YES	PROVIDE MANUAL SHADE LOCATED IN ROOM(S) 212, 205D, 205A
14	INTUS	FIXED				4'-0"	4'-6"					1	NO	YES	PROVIDE MANUAL SHADE LOCATED IN ROOM(S) 120A. CORNER - SEE WINDOW ELEV.
15	INTUS	FIXED				3'-6"	4'-6"					1	YES	YES	PROVIDE MANUAL SHADE LOCATED IN ROOM(S) 120A. CORNER - SEE WINDOW ELEV.
16	INTUS	FIXED				3'-6"	4'-6"					1	NO	YES	PROVIDE MANUAL SHADE LOCATED IN ROOM(S) 120A. CORNER - SEE WINDOW ELEV.
17	INTUS	FIXED				4'-6"	4'-6"					1	NO	YES	PROVIDE MANUAL SHADE LOCATED IN ROOM(S) 120A. CORNER - SEE WINDOW ELEV.
18	INTUS	FIXED				4'-4"	3'-0"					1	NO	YES	PROVIDE MANUAL SHADE LOCATED IN ROOM(S) 205B. CORNER - SEE WINDOW ELEV.
19	INTUS	FIXED				4'-0"	3'-0"					1	NO	YES	PROVIDE MANUAL SHADE LOCATED IN ROOM(S) 205B. CORNER - SEE WINDOW ELEV.
20	INTUS	FIXED				5'-6"	4'-0"					1	NO	YES	PROVIDE MANUAL SHADE LOCATED IN ROOM(S) 105B. CORNER - SEE WINDOW ELEV.
21	INTUS	FIXED				3'-6"	4'-0"					1	NO	YES	PROVIDE MANUAL SHADE LOCATED IN ROOM(S) 105B. CORNER - SEE WINDOW ELEV.
22	INTUS	FIXED				9'-6"	4'-6"					1	NO	YES	PROVIDE MANUAL SHADE LOCATED IN ROOM(S) 205C. CORNER - SEE WINDOW ELEV.
EXTERIOR ASSEMBLIES															
E01	INTUS	FIXED				9'-0"	9'-0"					2	NO	NO	
E02	INTUS	FIXED				12'-4"	9'-0"					2	NO	NO	CARD ACCESS AT 017A
E03	INTUS	FIXED				9'-0"	9'-0"					2	NO	NO	
E04	INTUS	FIXED				9'-0"	9'-0"					2	NO	NO	
E05	INTUS	FIXED				23'-0"	9'-0"					2	NO	NO	CARD ACCESS AT 001A + 001B
E06	INTUS	FIXED				9'-0"	9'-0"					2	NO	NO	
E07	INTUS	FIXED				9'-0"	9'-0"					2	NO	NO	
E08	INTUS	FIXED				12'-4"	9'-0"					2	NO	NO	CARD ACCESS AT 002A
E09	INTUS	FIXED				9'-0"	9'-0"					2	NO	NO	
E10	INTUS	FIXED				22'-3"	12'-0"					2	NO	NO	
E11	INTUS	FIXED				8'-7"	12'-0"					2	NO	NO	CARD ACCESS AT 100A + 100A
E12	INTUS	FIXED				9'-10 1/2"	12'-0"					2	NO	NO	
E13	INTUS	FIXED				10'-6"	7'-4"					2	NO	NO	CARD ACCESS AT 105
E14	INTUS	FIXED				5'-2 1/4"	7'-4"					2	NO	NO	
E15	INTUS	FIXED				22'-7"	9'-0"					2	NO	NO	
E16	INTUS	FIXED				VIF 19'-1"	VIF 9'-0"					2	NO	NO	

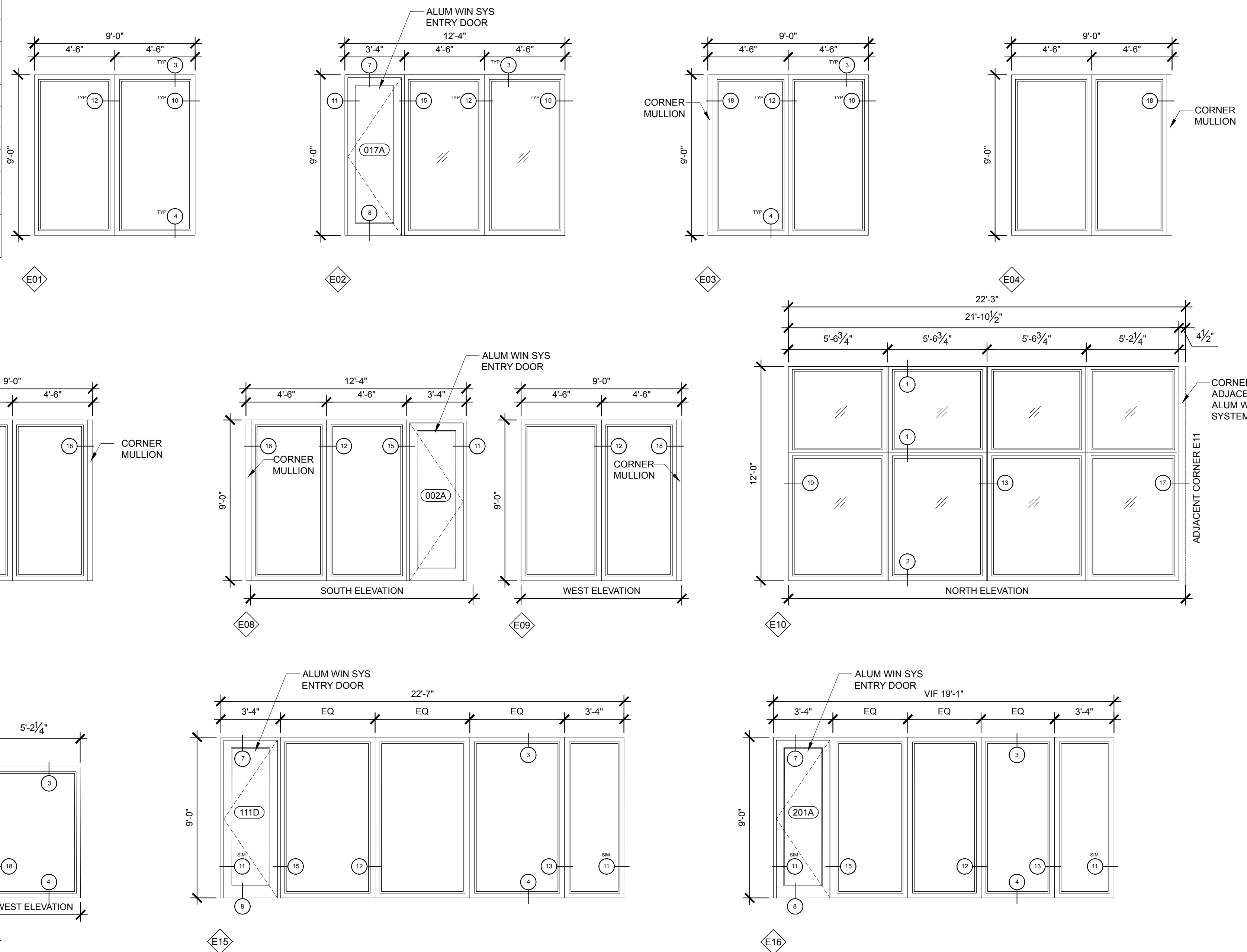
- GENERAL NOTES:**
1. ALL GLASS TO BE TEMPERED AS REQUIRED
2. SEE DOOR SCHEDULE, SHEET A 601, AND SPECIFICATIONS FOR DOOR HARDWARE
3. SEE A611 FOR DETAILS
4. FIELD VERIFY OPENING DIMENSIONS BEFORE FABRICATION OF EXTERIOR ASSEMBLIES
5. PROVIDE MECHANIZED SHADE OPERATION UNLESS NOTED OTHERWISE. SEE SPEC FOR MORE INFORMATION. CONTRACTOR TO CONFIRM NUMBER OF MANUAL SHADE DEVICES PER ROOM.
6. ALL WINDOWS SHOWN AS OPERABLE SHALL REMAIN SO UNLESS DESIGNATED IN ELEVATION WITH THE LETTER "B"
7. FINISH TYPES: 1. PVC INTERIOR/PVC EXTERIOR 2. COLOR FINISH INTERIOR/COLOR FINISH EXTERIOR 3. PVC INTERIOR/COLOR FINISH EXTERIOR



1 EXTERIOR ASSEMBLIES
SCALE: 1/4" = 1'-0"



2 EXTERIOR WINDOW TYPES
SCALE: 1/4" = 1'-0"



1 EXTERIOR ASSEMBLIES
SCALE: 1/4" = 1'-0"



75 York Street
Portland, Maine 04101
simonsarchitects.com
207.772.4656

PROJECT NAME:
WAYNFLEET LOWER SCHOOL
ADDITION & RENOVATIONS

WAYNFLEET SCHOOL
360 SPRING STREET
PORTLAND, MAINE 04102



THIS DRAWING IS THE PROPERTY OF SCOTT SIMONS ARCHITECTS (SSA) AND IS NOT TO BE COPIED OR REPRODUCED IN PART OR WHOLE
2016 © SCOTT SIMONS ARCHITECTS, LLC

REVISION:

1	DATE
2	DATE
3	DATE
4	DATE
5	DATE
6	DATE

DATE OF ISSUE: 12 JANUARY 2017
PROJECT NUMBER: 2013-0050
STATUS: 100% CONSTRUCTION DOCUMENTS ISSUED FOR BID

EXTERIOR WINDOW SCHEDULE

A603