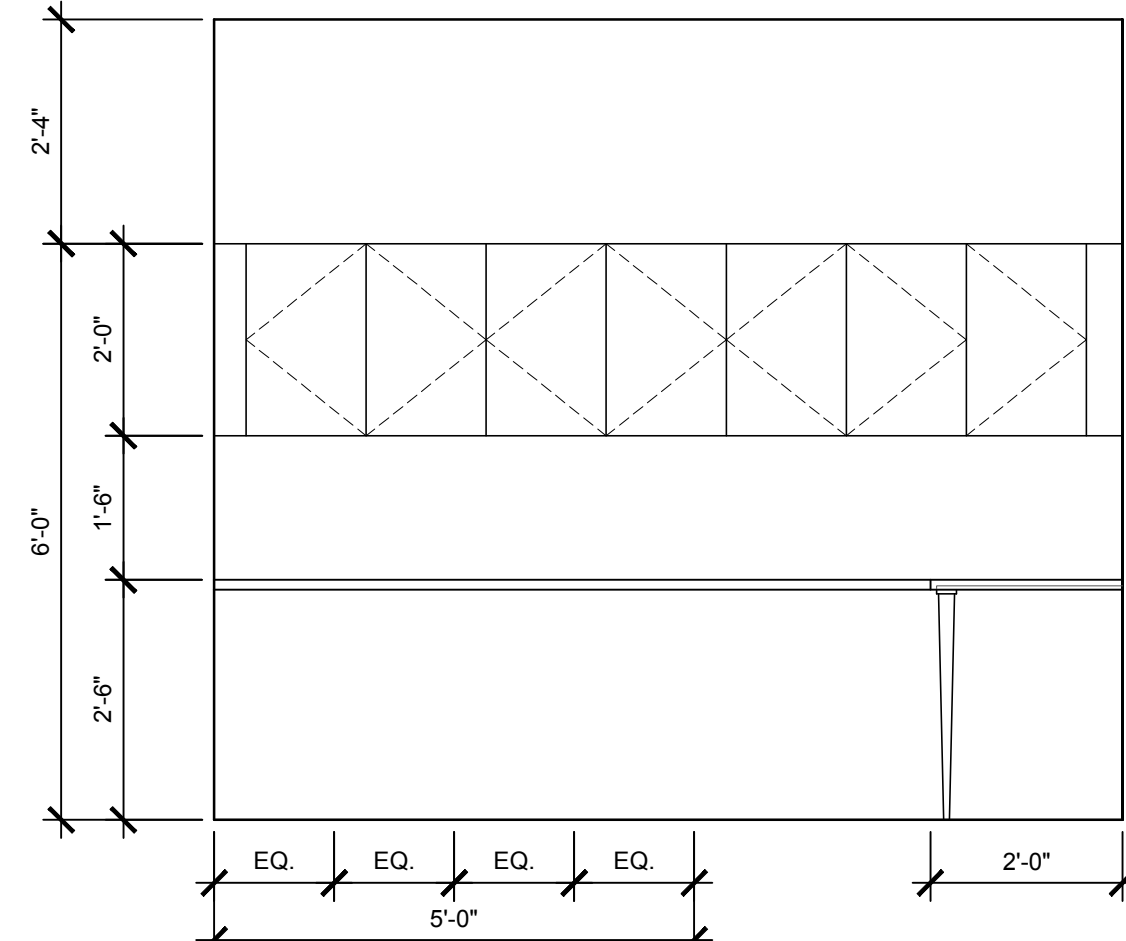
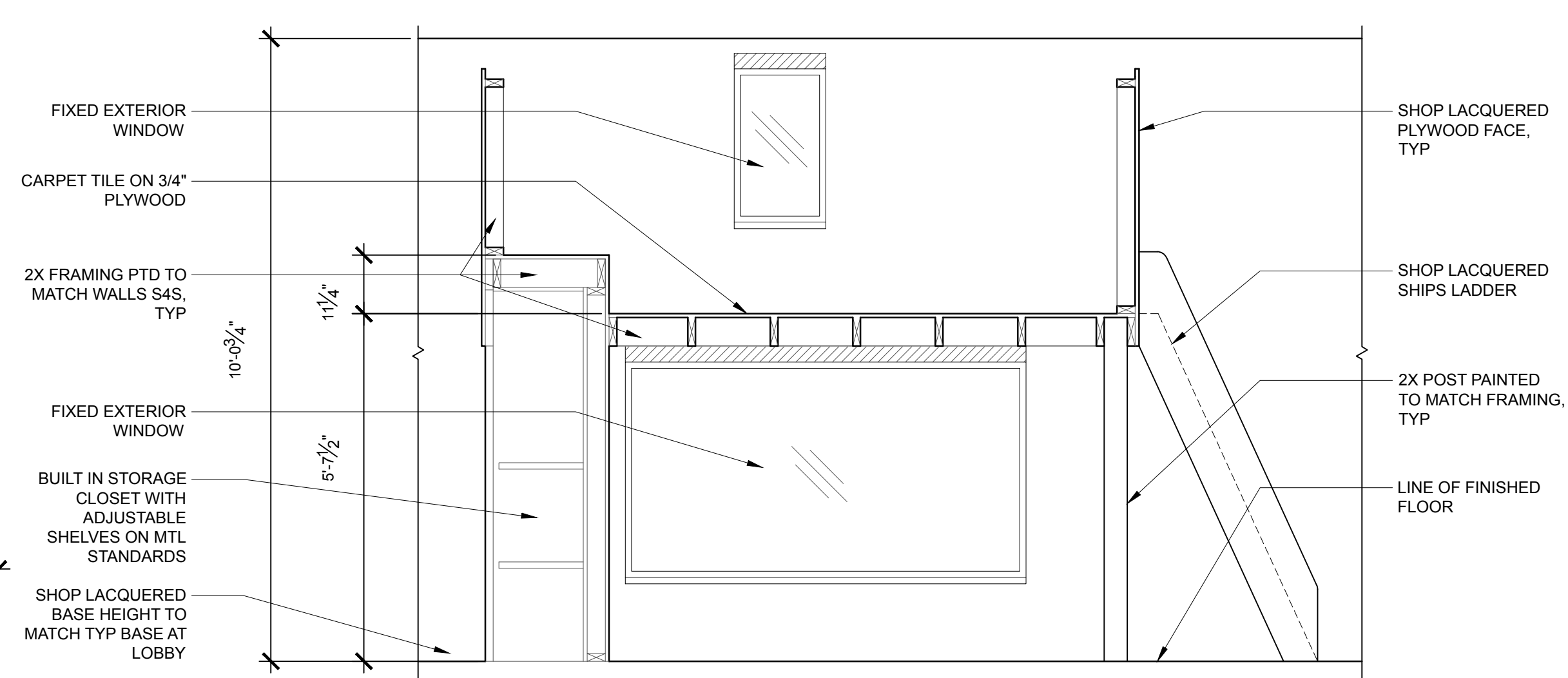


**1 RECEPTION DESK PLAN**  
SCALE: 1/2" = 1'-0"

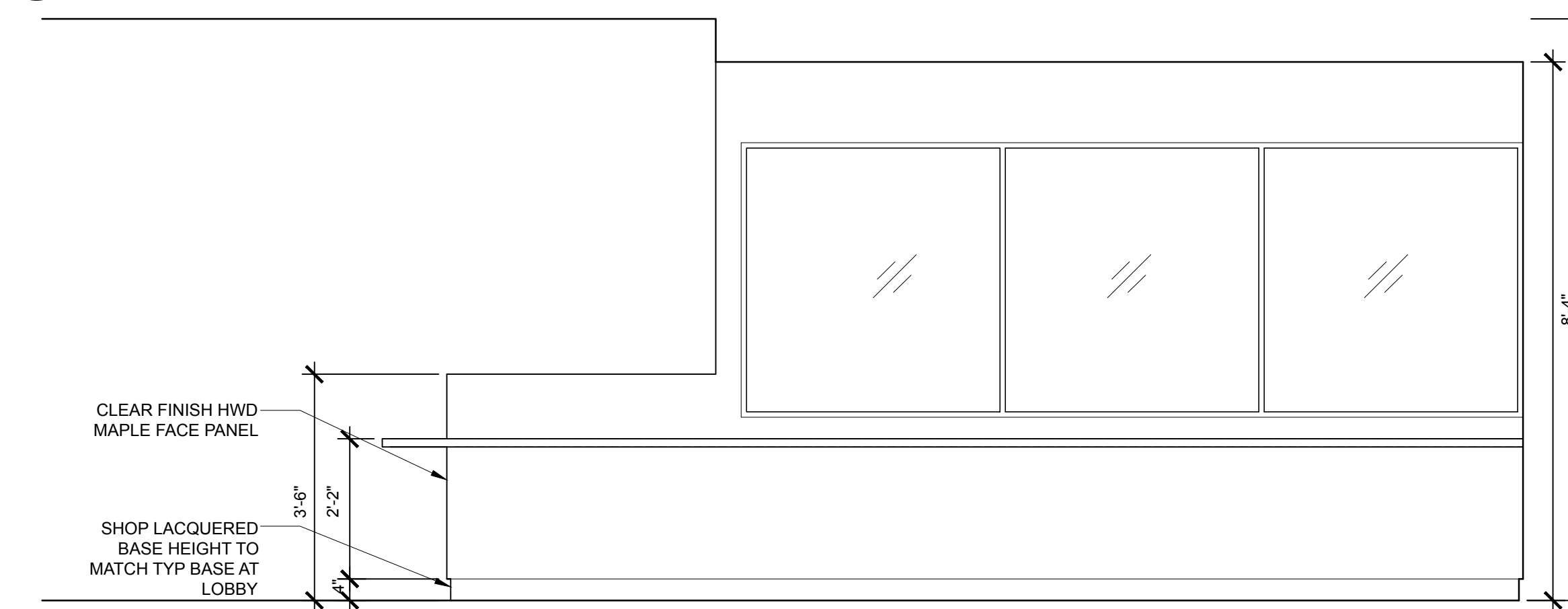
SEE GENERAL NOTES ON SHEET A521



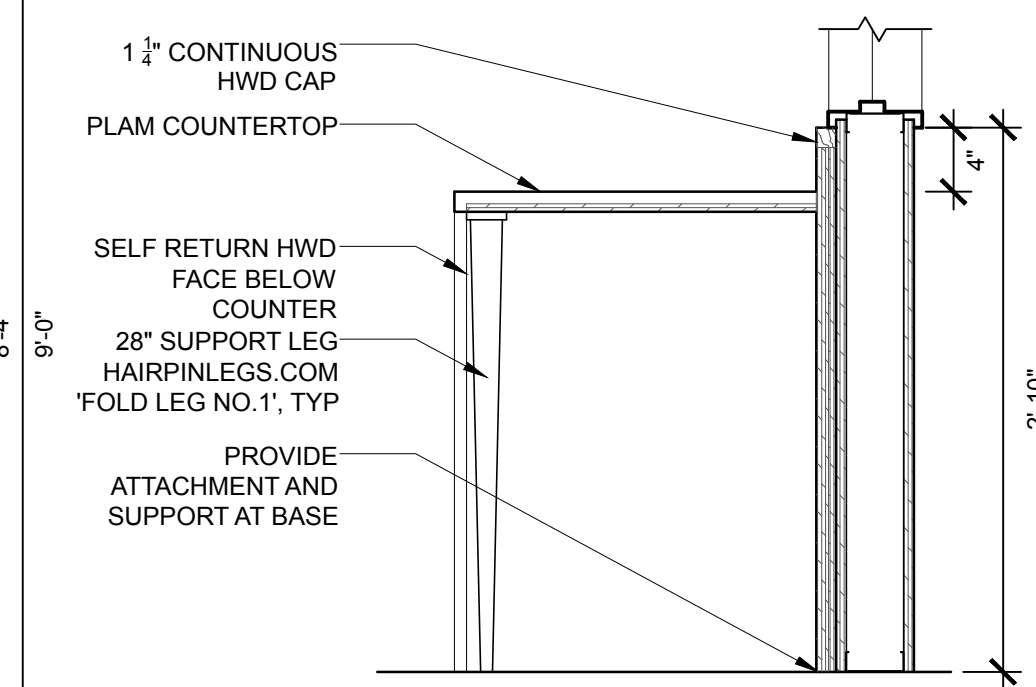
**5 RECEPTION DESK ELEVATION**  
SCALE: 1/2" = 1'-0"



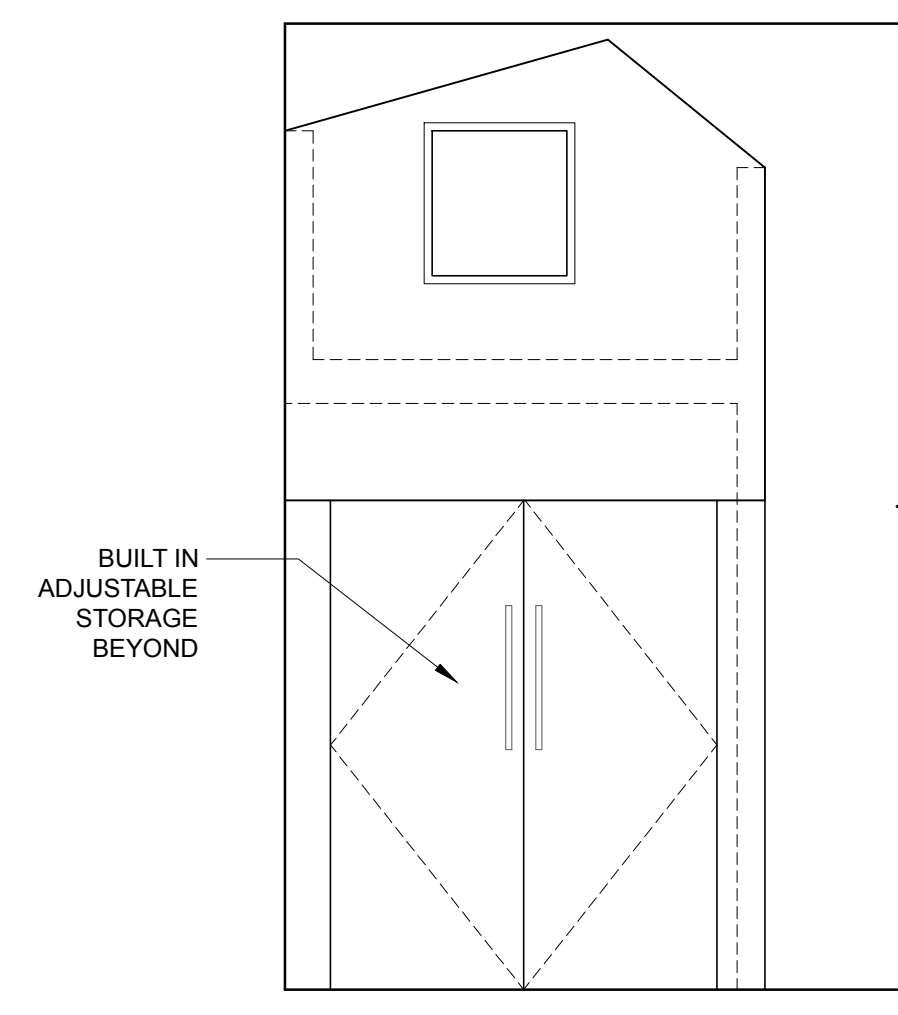
**8 TYPICAL CLASSROOM LOFT SECTION**  
SCALE: 1/2" = 1'-0"



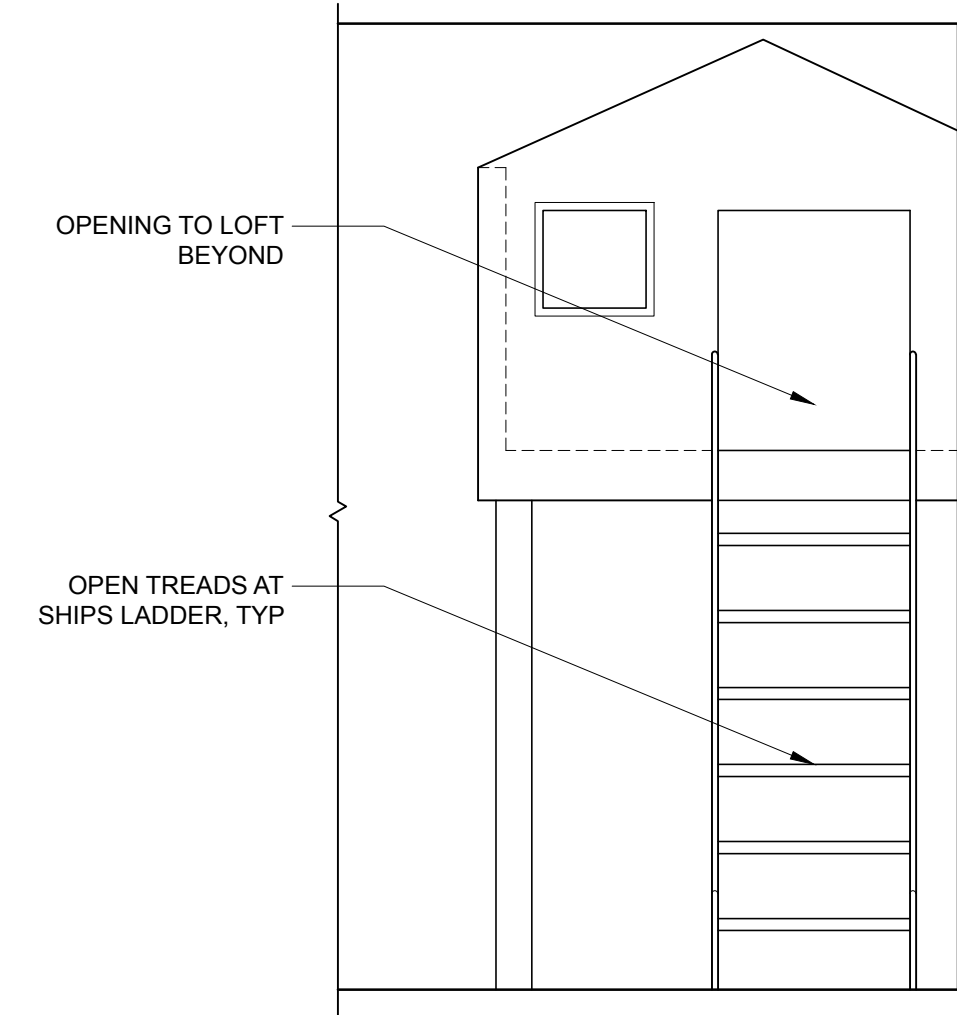
**2 RECEPTION DESK ELEVATION**  
SCALE: 1/2" = 1'-0"



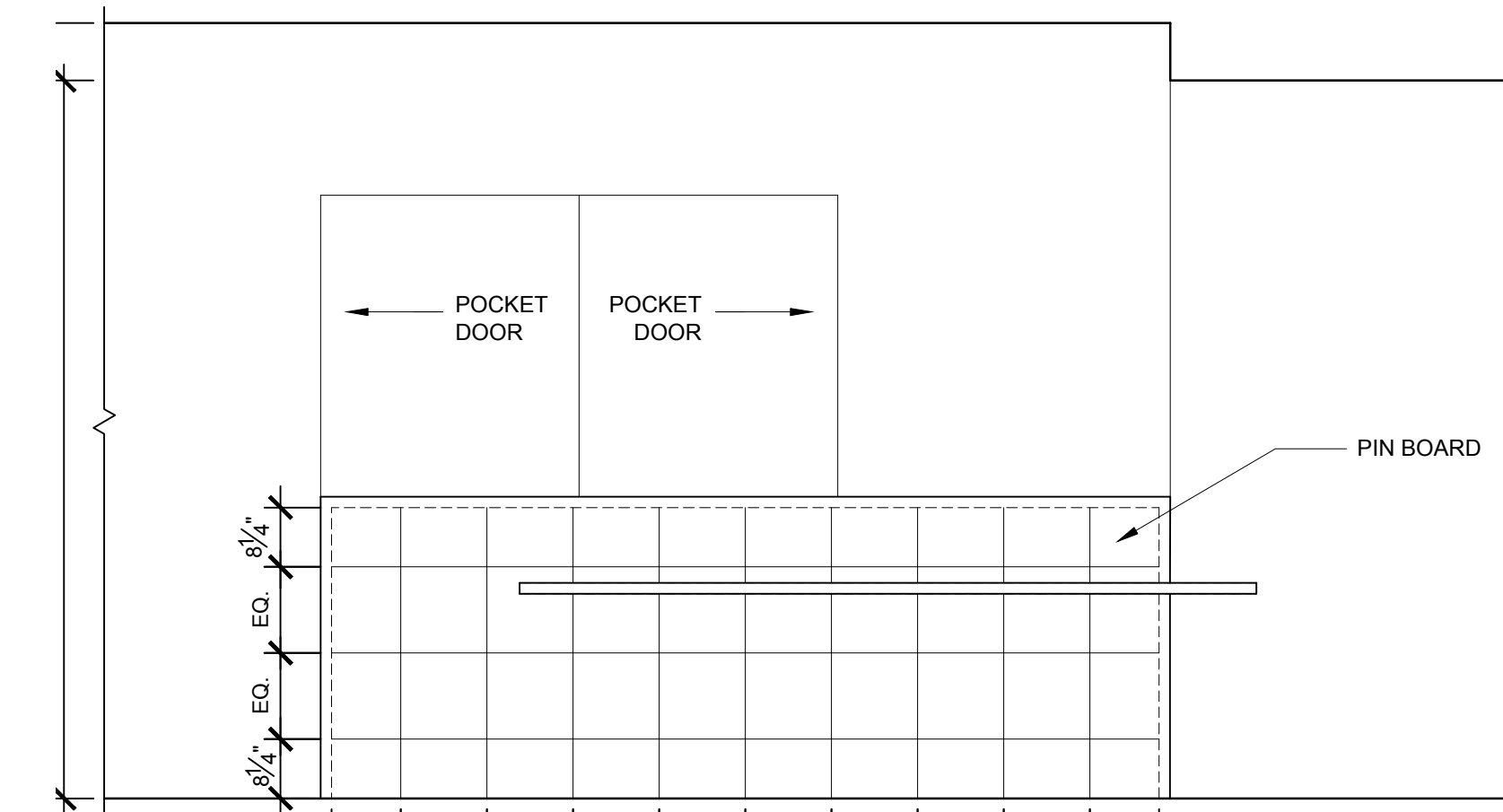
**6 RECEPTION DESK SECTION**  
SCALE: 1" = 1'-0"



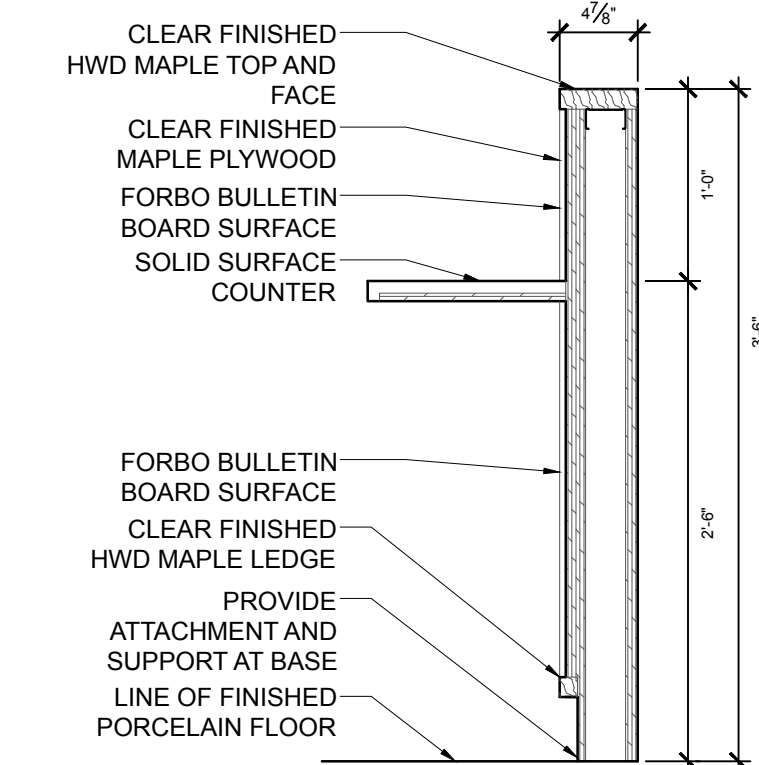
**9 TYPICAL CLASSROOM LOFT ELEVATION**  
SCALE: 1/2" = 1'-0"



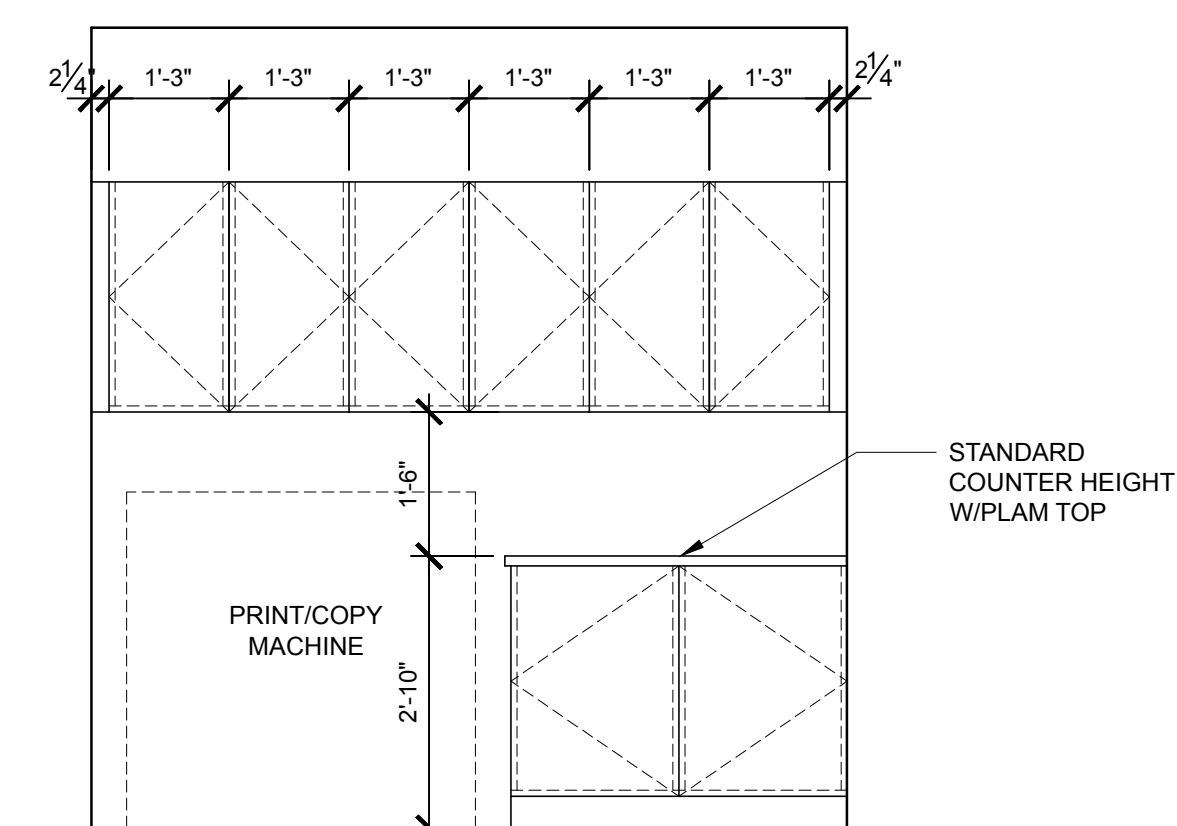
**10 TYPICAL CLASSROOM LOFT ELEVATION**  
SCALE: 1/2" = 1'-0"



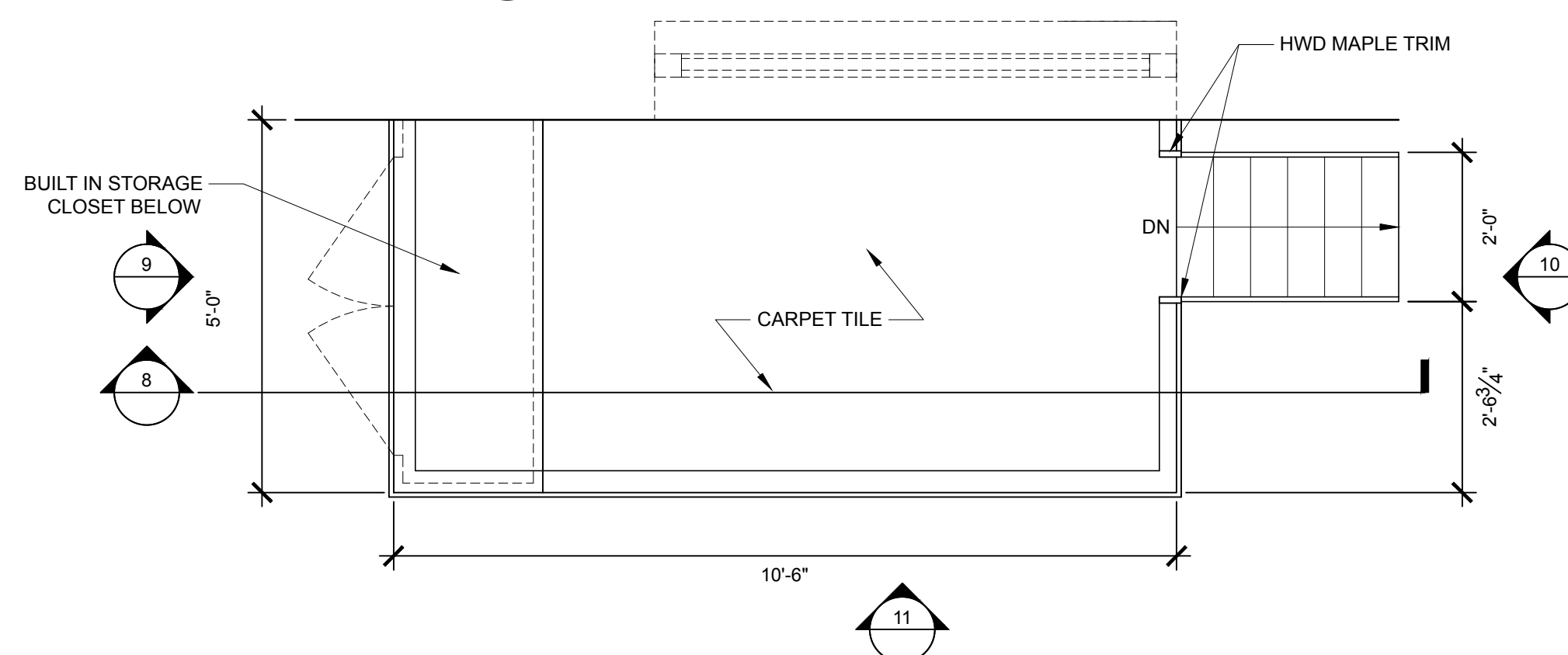
**3 RECEPTION DESK ELEVATION**  
SCALE: 1/2" = 1'-0"



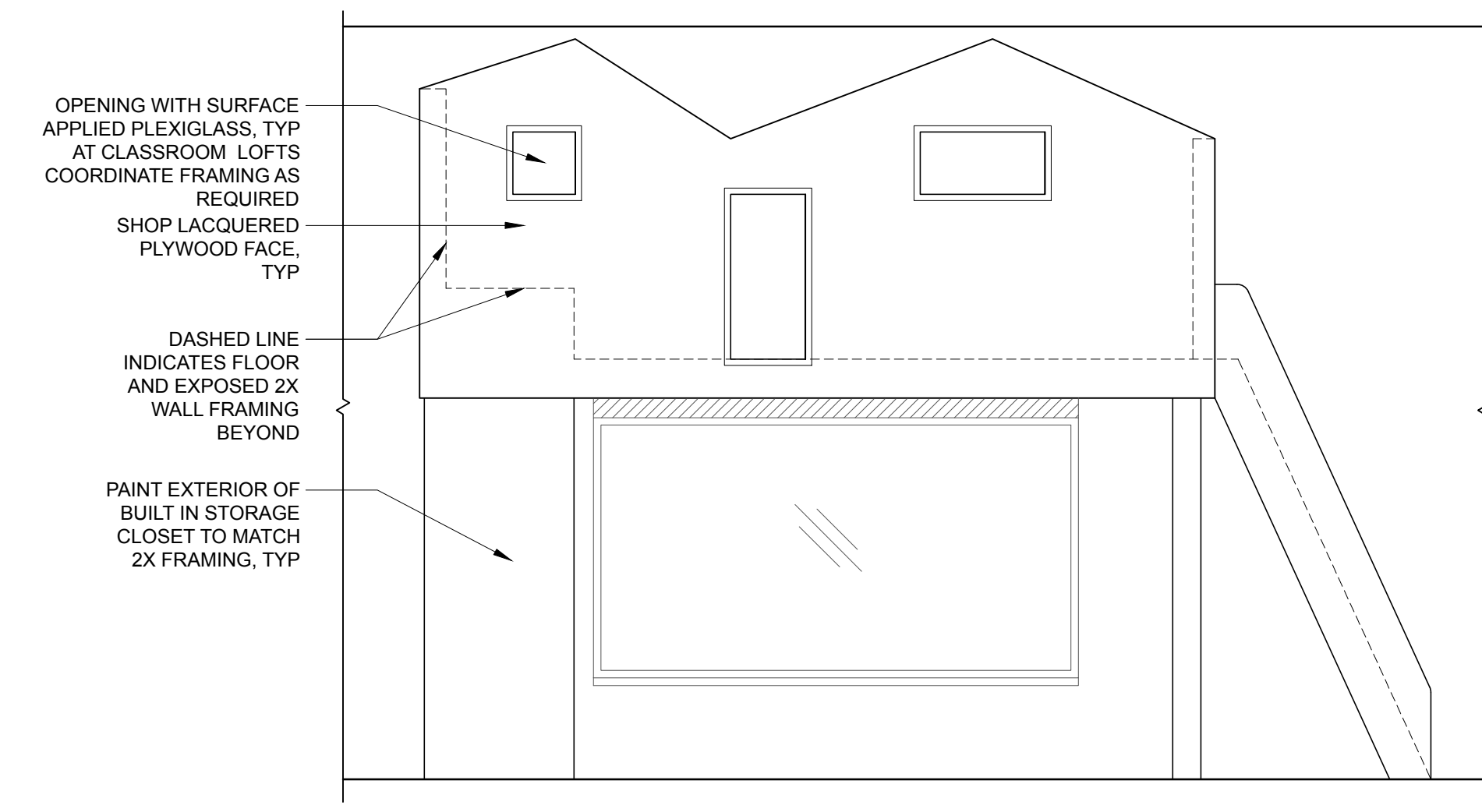
**7 RECEPTION DESK SECTION**  
SCALE: 1" = 1'-0"



**4 RECEPTION DESK ELEVATION**  
SCALE: 1/2" = 1'-0"



**7 TYPICAL CLASSROOM LOFT PLAN**  
SCALE: 1/2" = 1'-0"



**11 TYPICAL CLASSROOM LOFT ELEVATION**  
SCALE: 1/2" = 1'-0"