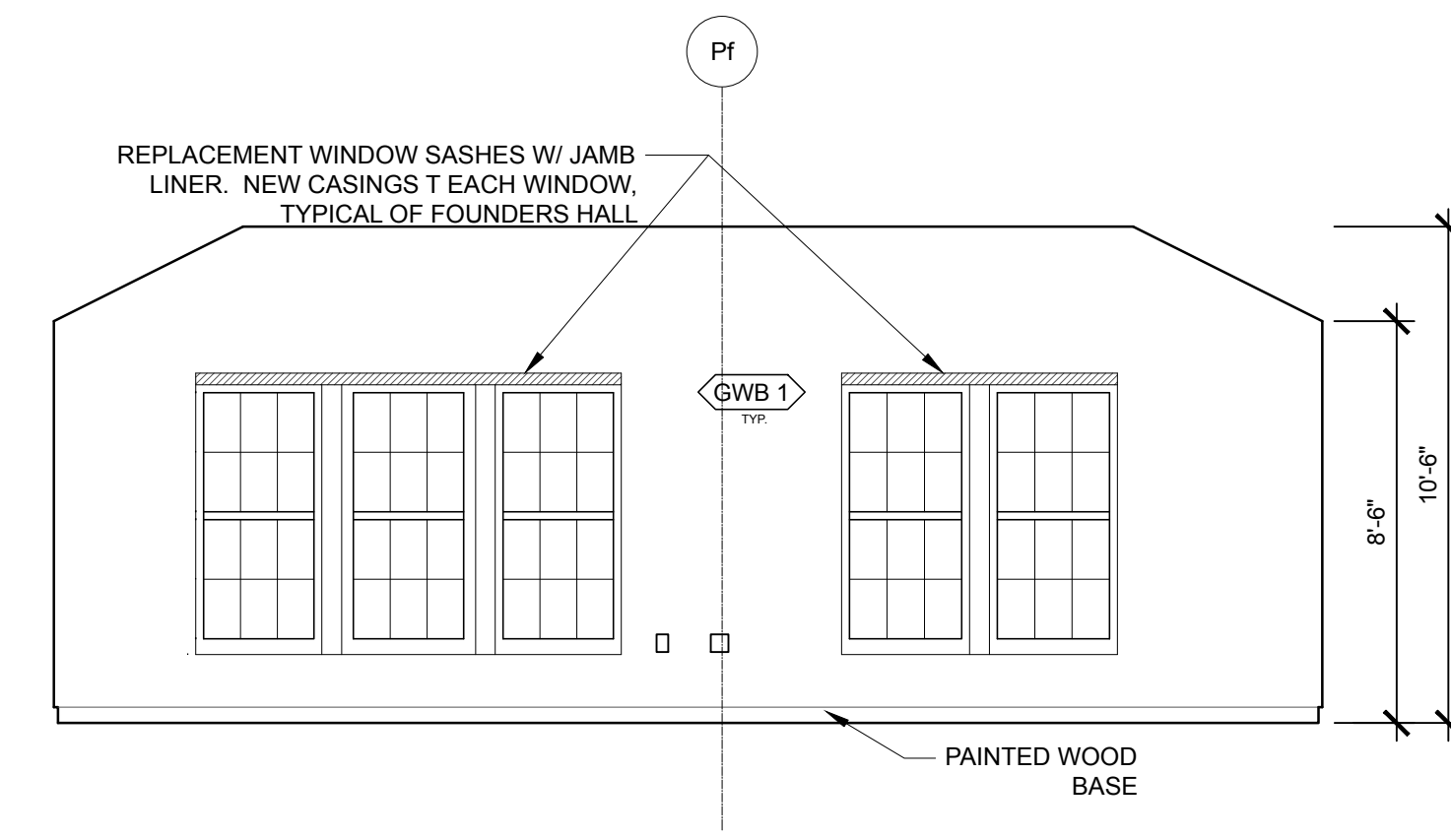
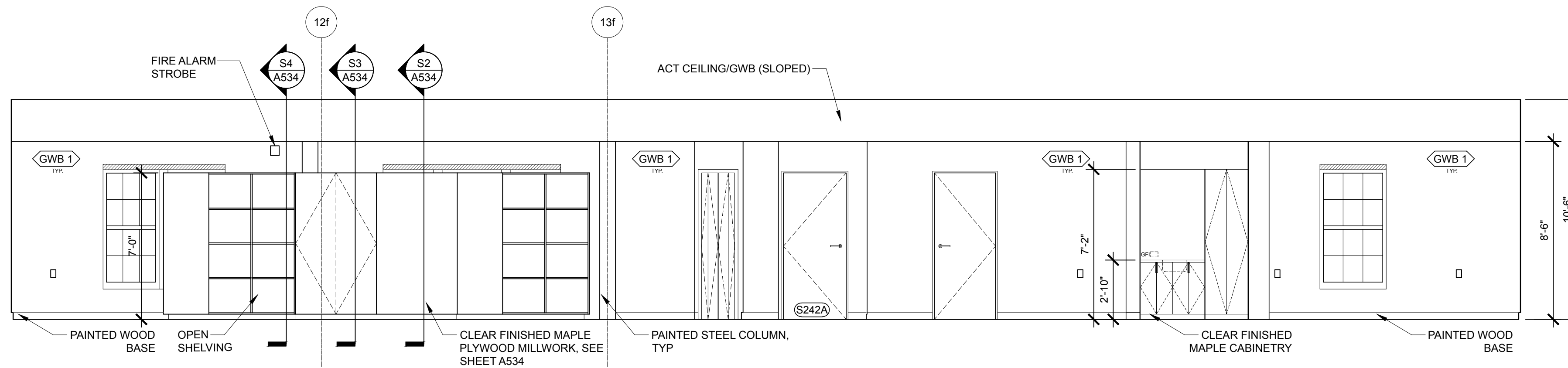


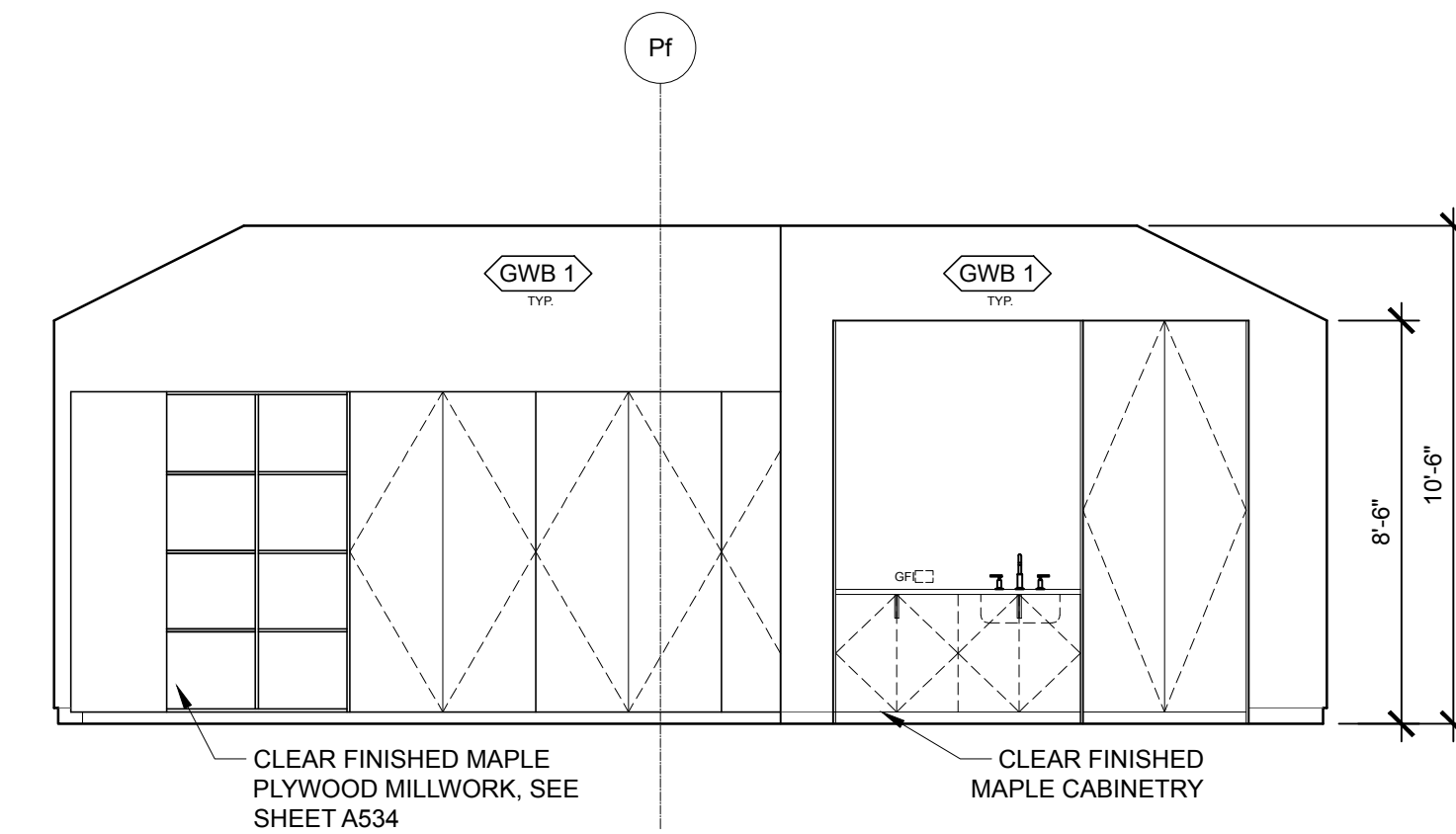
1 FOUNDERS 4-5 ELEVATION
SCALE: 1/4" = 1'-0"



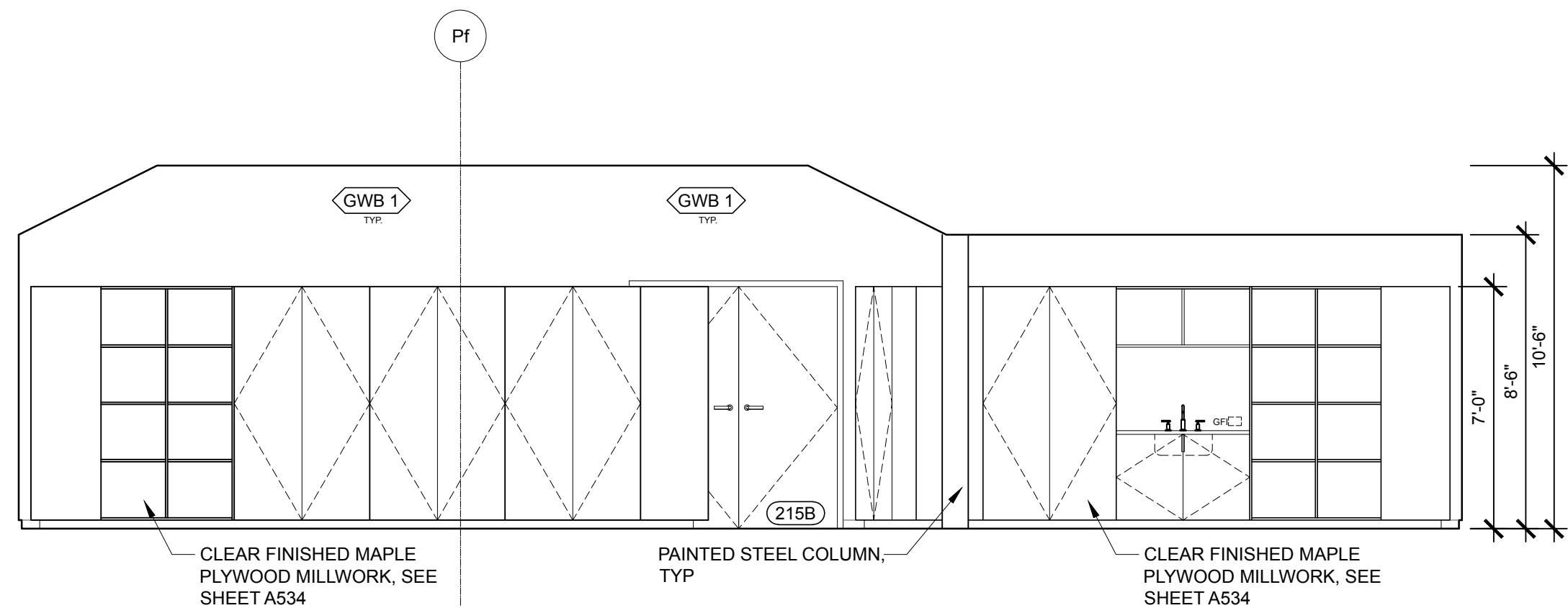
5 FOUNDERS 4-5 ELEVATION
SCALE: 1/4" = 1'-0"



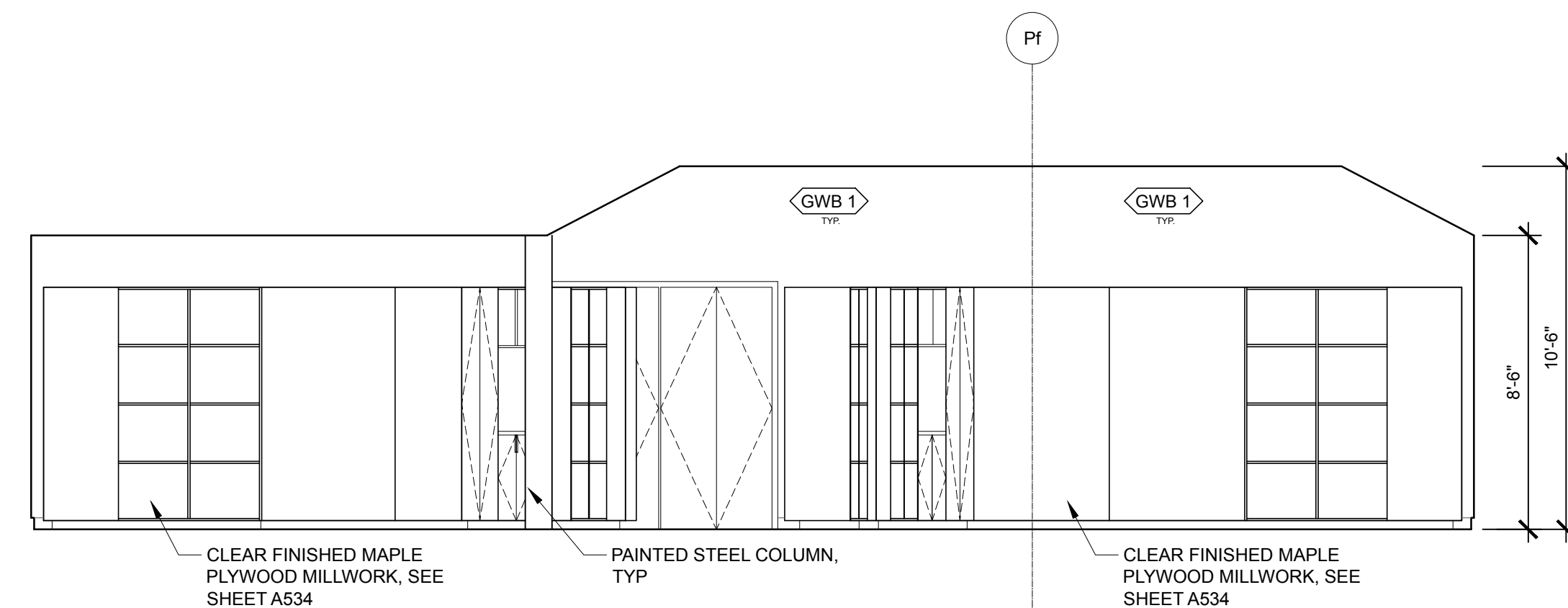
2 FOUNDERS 4-5 ELEVATION
SCALE: 1/4" = 1'-0"



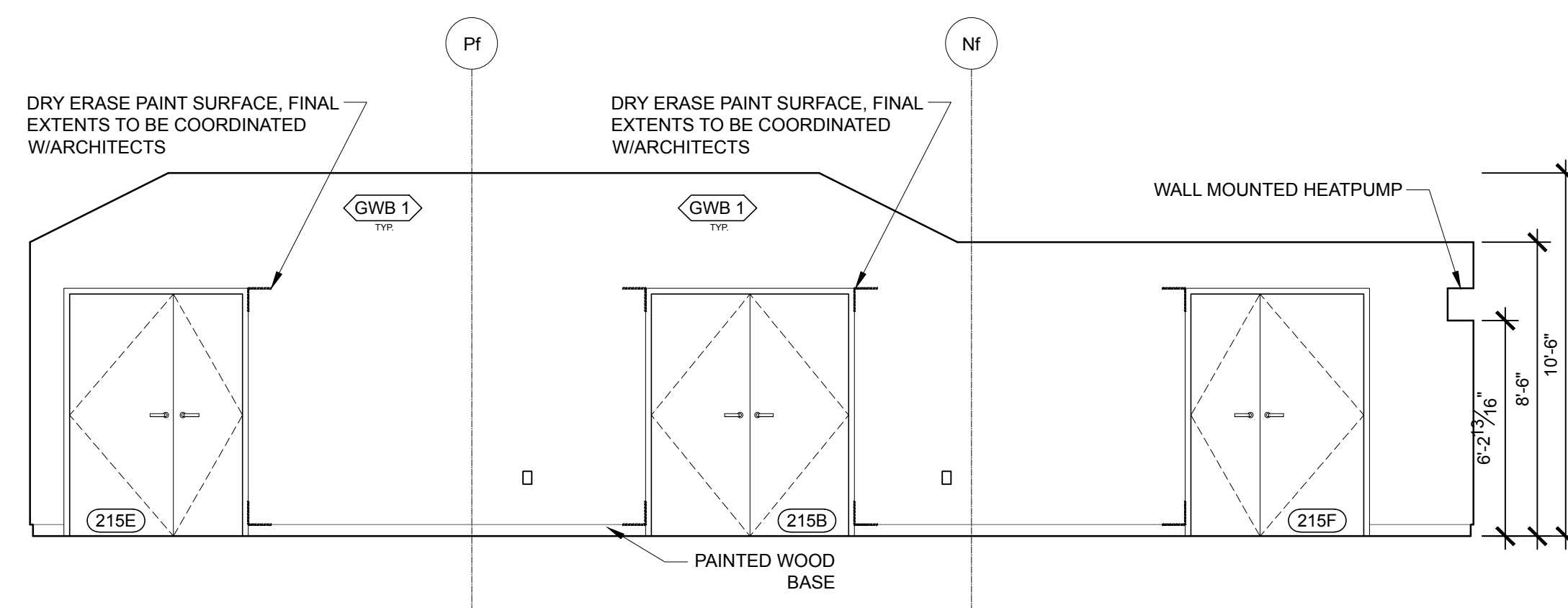
6 FOUNDERS 4-5 ELEVATION
SCALE: 1/4" = 1'-0"



3 FOUNDERS 4-5 ELEVATION
SCALE: 1/4" = 1'-0"



7 FOUNDERS 4-5 ELEVATION
SCALE: 1/4" = 1'-0"



4 FOUNDERS 4-5 ELEVATION
SCALE: 1/4" = 1'-0"

SEE GENERAL NOTES ON SHEET A521

PROJECT NAME:
**WAYNFLETE
FOUNDERS HALL**
RENOVATIONS
360 SPRING STREET
PORTLAND, ME 04101

SEAL:

THIS DRAWING IS THE PROPERTY OF SCOTT SIMONS ARCHITECTS (SSA) AND IS NOT TO BE COPIED OR REPRODUCED IN PART OR WHOLE. 2015 © SCOTT SIMONS ARCHITECTS, LLC

REVISION:	DATE
1	DATE
2	DATE
3	DATE
4	DATE
5	DATE
6	DATE

DATE OF ISSUE: 5 JANUARY, 2015
PROJECT NUMBER: 2015-0200
STATUS: DESIGN DEVELOPMENT

**INTERIOR
ELEVATIONS
UPPER
LEVEL-FOUNDERS**

A528