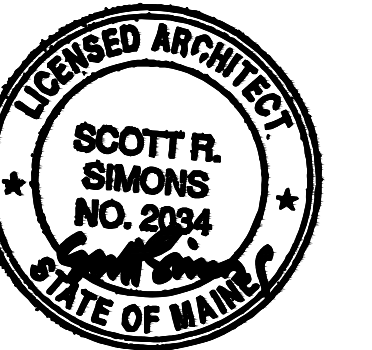


PROJECT NAME:

**WAYNFLETE
LOWER SCHOOL**
ADDITION & RENOVATIONS

WAYNFLETE SCHOOL
360 SPRING STREET
PORTLAND, MAINE 04102

SEAL:



THIS DRAWING IS THE PROPERTY OF SCOTT SIMONS ARCHITECTS (SSA) AND IS NOT TO BE COPIED OR REPRODUCED IN PART OR WHOLE. 2016 © SCOTT SIMONS ARCHITECTS, LLC

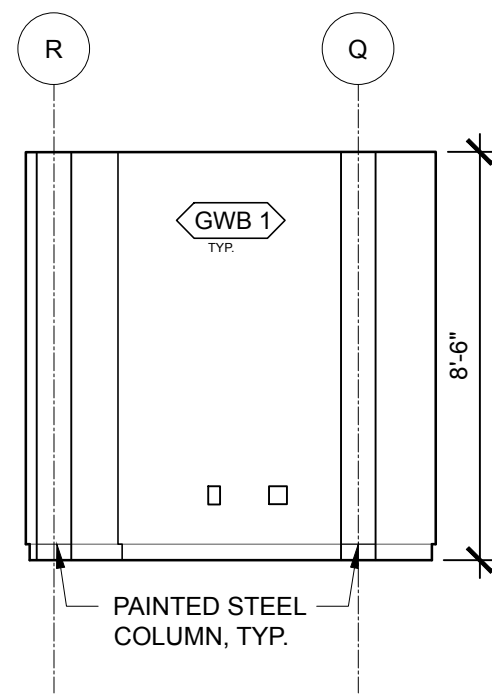
REVISION:

NO.	DATE
1	DATE
2	DATE
3	DATE
4	DATE
5	DATE
6	DATE

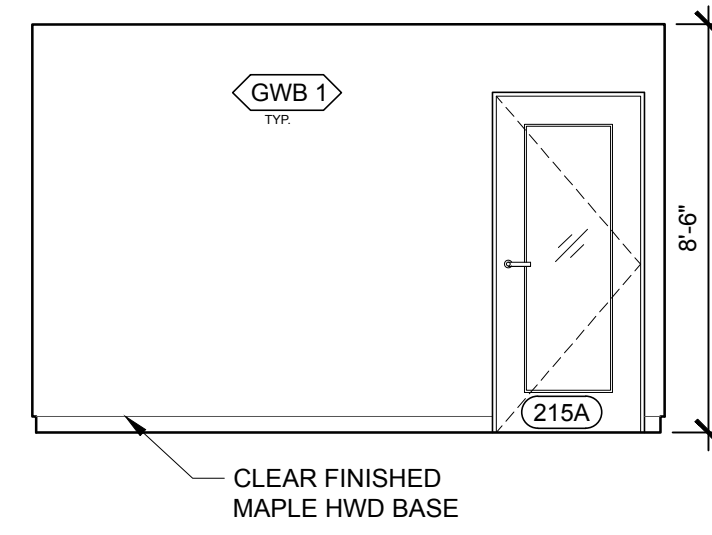
DATE OF ISSUE: 12 JANUARY 2017
PROJECT NUMBER: 2013-0090
STATUS: 100% CONSTRUCTION DOCUMENTS ISSUED FOR BID

**INTERIOR
ELEVATIONS
UPPER LEVEL**

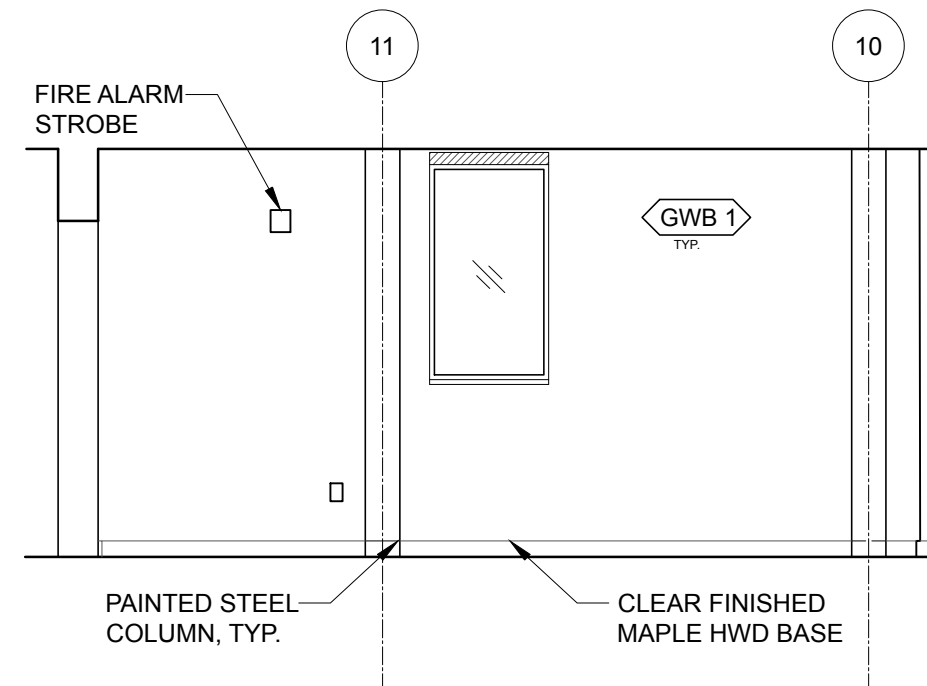
A527



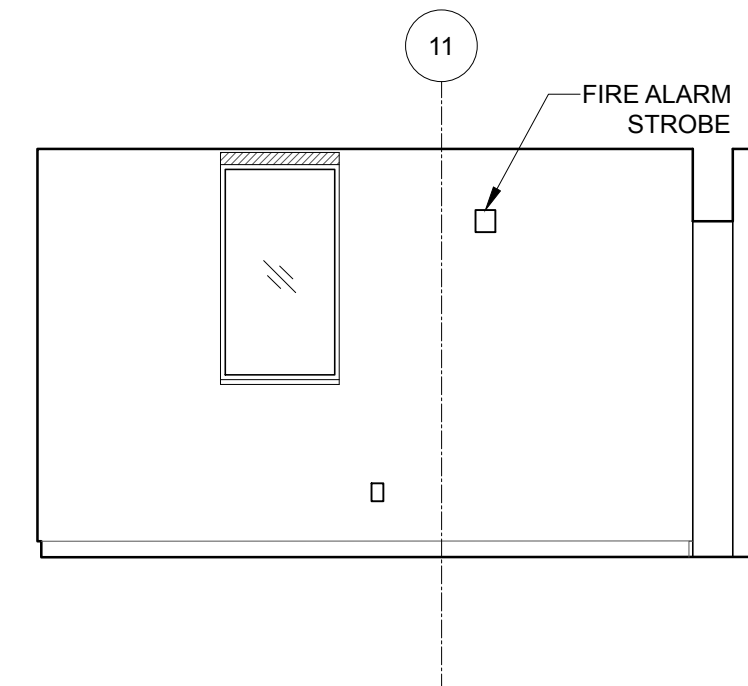
7 4-5 CLASSROOM 215F NORTH ELEVATION
SCALE: 1/4" = 1'-0"



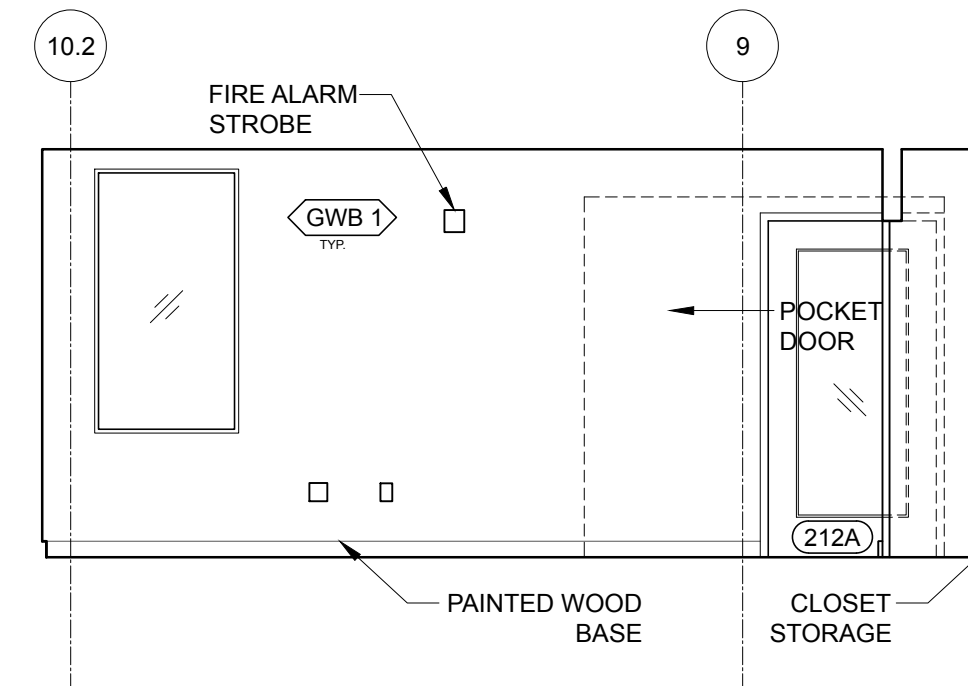
8 4-5 CLASSROOM 215G NORTH ELEVATION
SCALE: 1/4" = 1'-0"



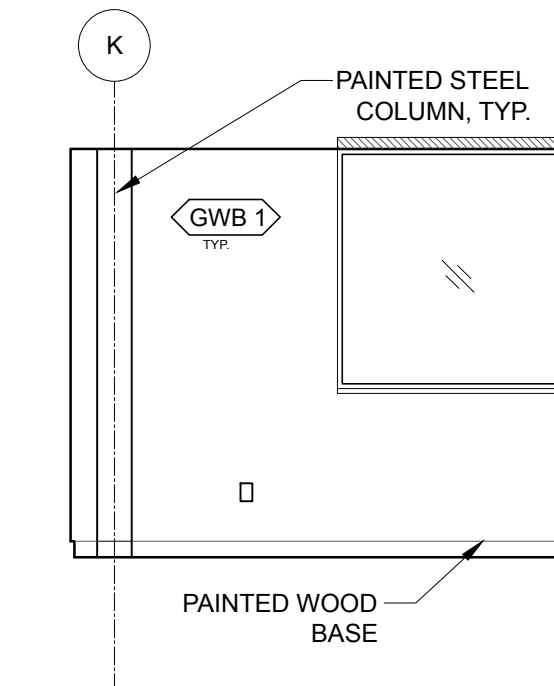
6 4-5 CLASSROOM 215F WEST ELEVATION
SCALE: 1/4" = 1'-0"



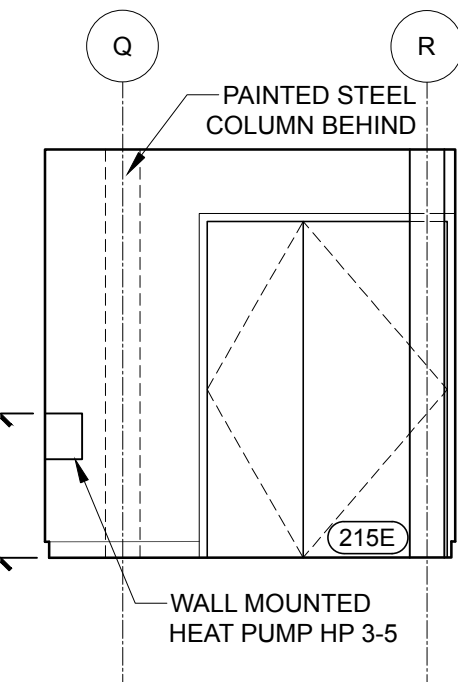
9 4-5 CLASSROOM 215G EAST ELEVATION
SCALE: 1/4" = 1'-0"



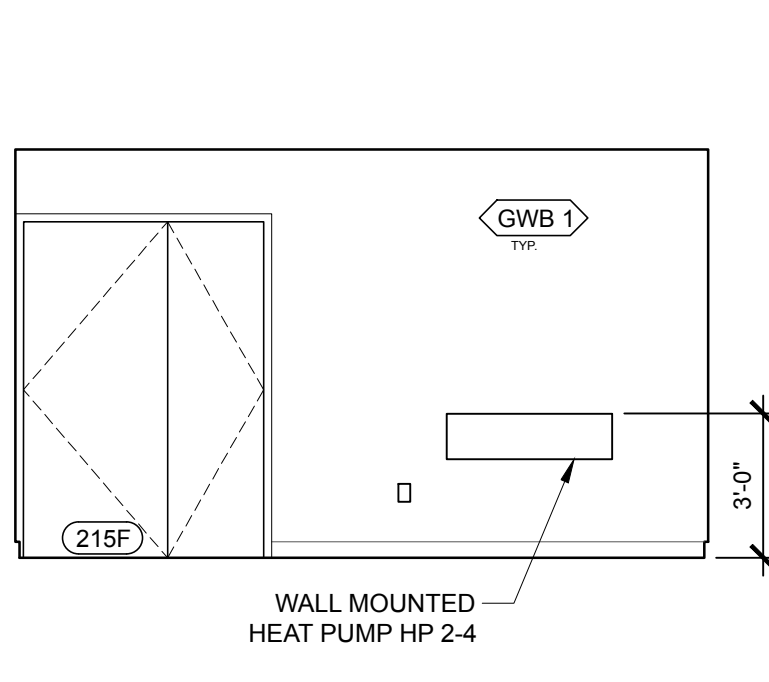
12 SPANISH OFFICE WEST ELEVATION
SCALE: 1/4" = 1'-0"



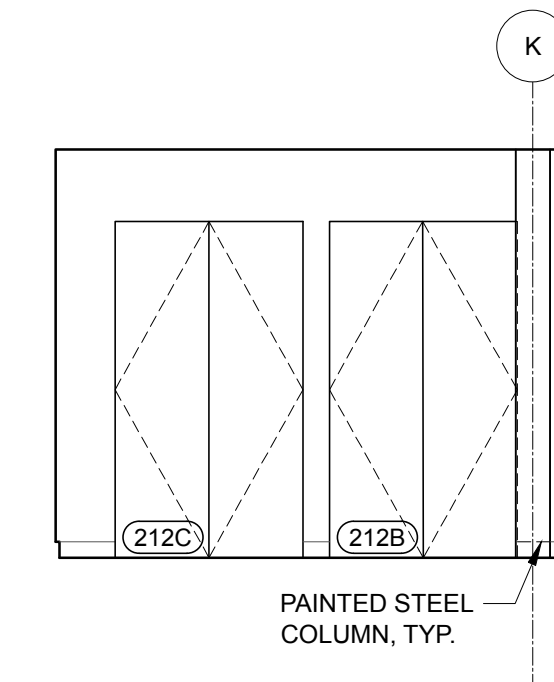
13 SPANISH OFFICE SOUTH ELEVATION
SCALE: 1/4" = 1'-0"



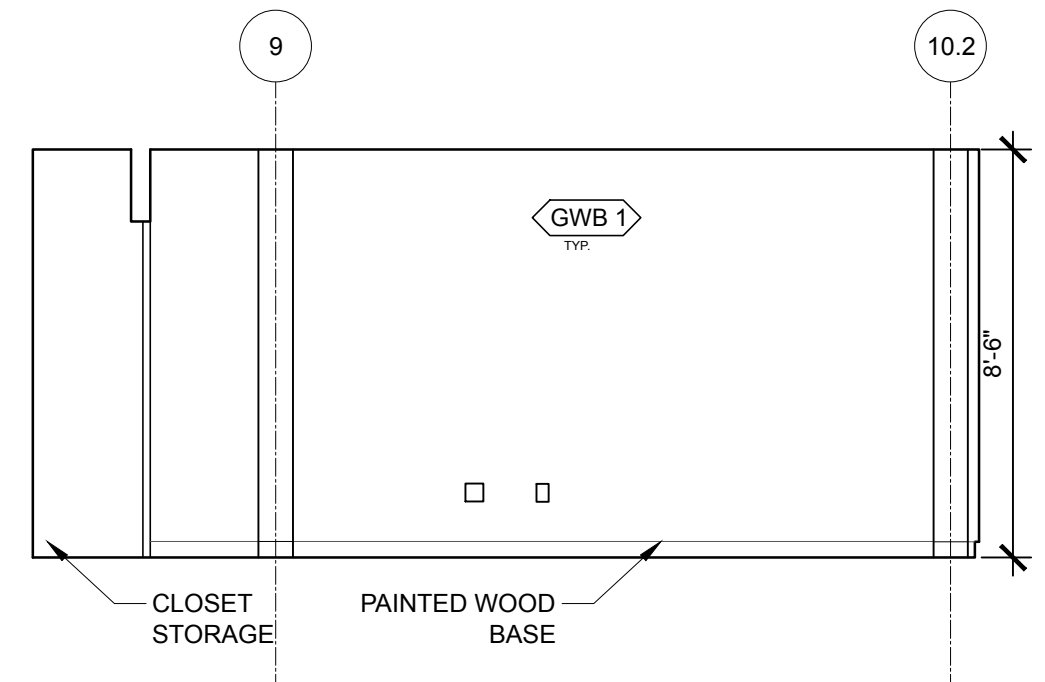
5 4-5 CLASSROOM 215F SOUTH ELEVATION
SCALE: 1/4" = 1'-0"



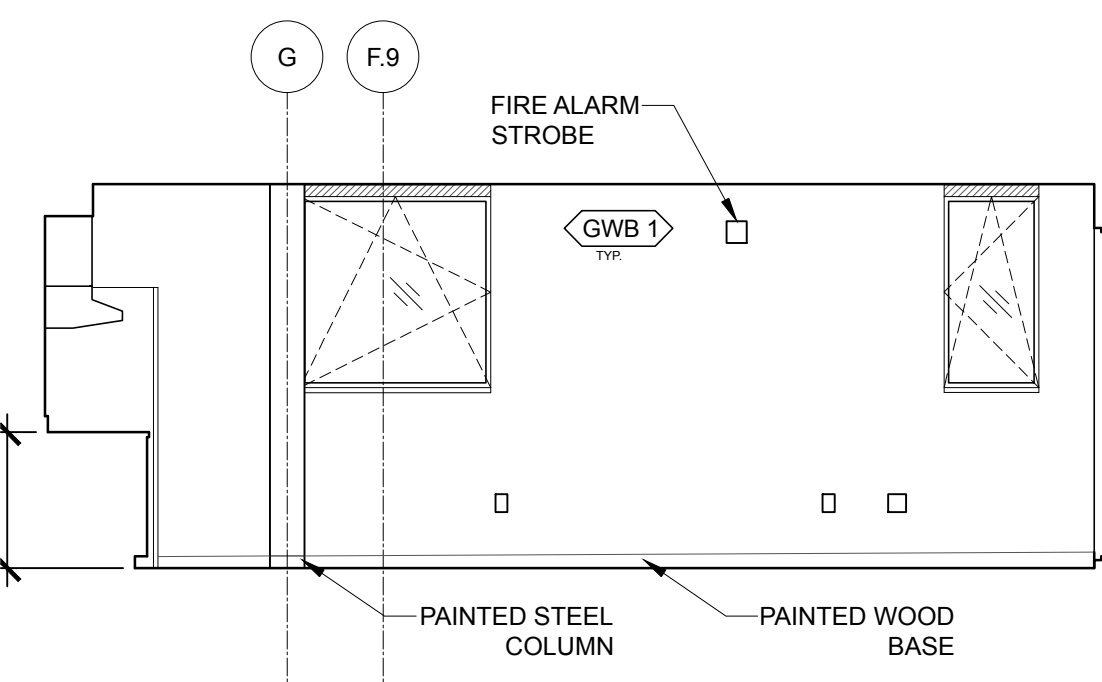
10 4-5 CLASSROOM 215G SOUTH ELEVATION
SCALE: 1/4" = 1'-0"



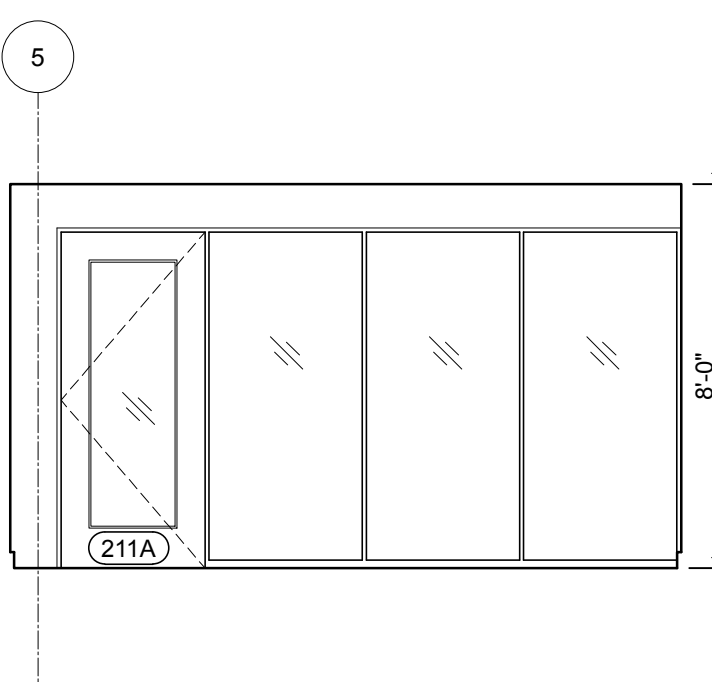
11 SPANISH OFFICE NORTH ELEVATION
SCALE: 1/4" = 1'-0"



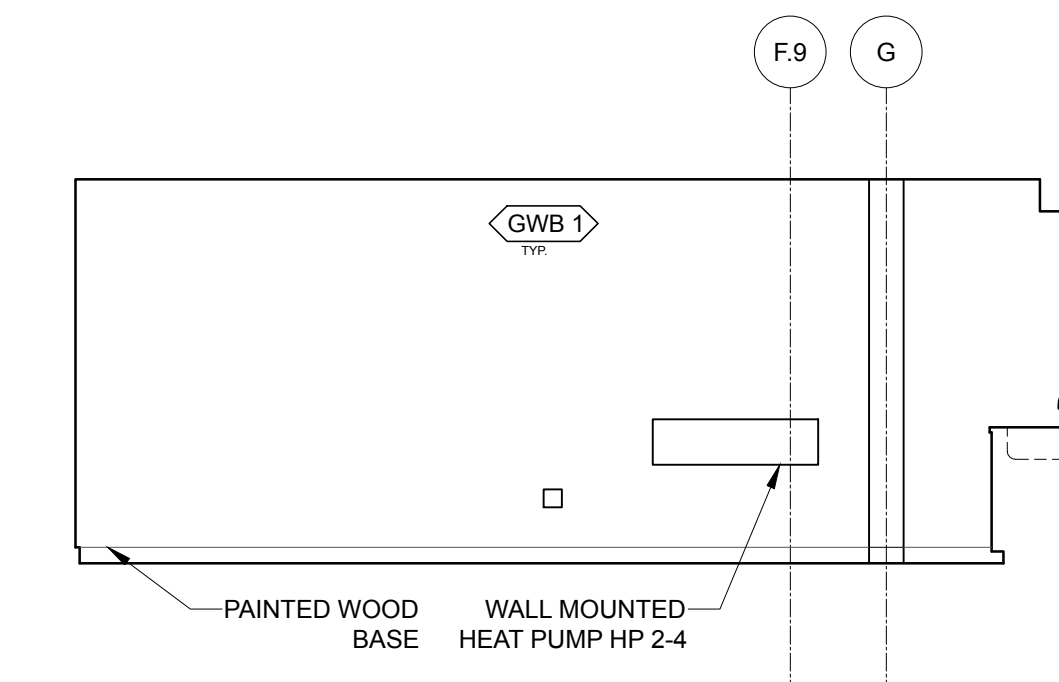
13 SPANISH OFFICE EAST ELEVATION
SCALE: 1/4" = 1'-0"



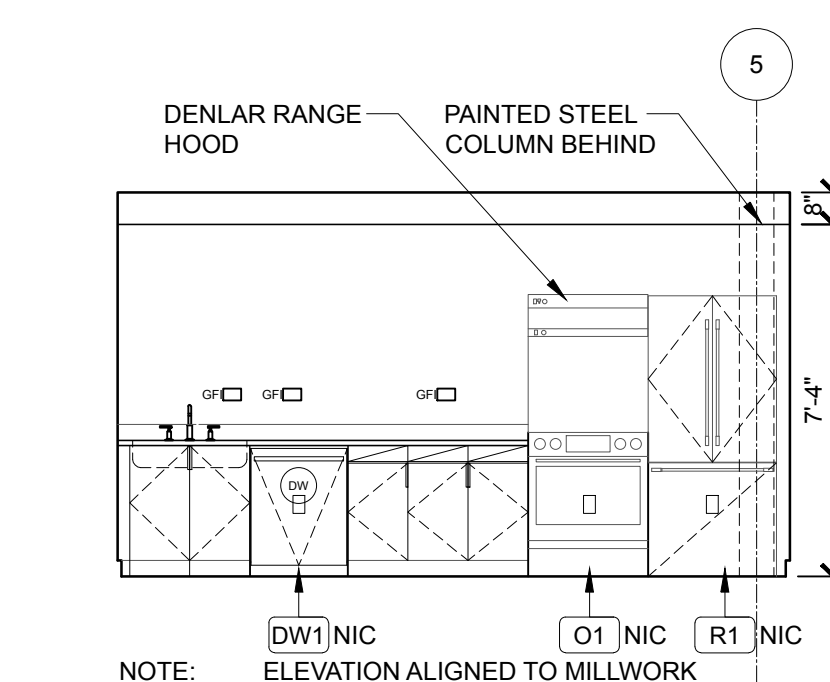
4 4-5 CLASSROOM 211 NORTH ELEVATION
SCALE: 1/4" = 1'-0"



3 4-5 CLASSROOM 211 EAST ELEVATION
SCALE: 1/4" = 1'-0"



2 4-5 CLASSROOM 211 SOUTH ELEVATION
SCALE: 1/4" = 1'-0"



1 4-5 CLASSROOM 211 WEST ELEVATION
SCALE: 1/4" = 1'-0"

SEE GENERAL NOTES ON SHEET A521