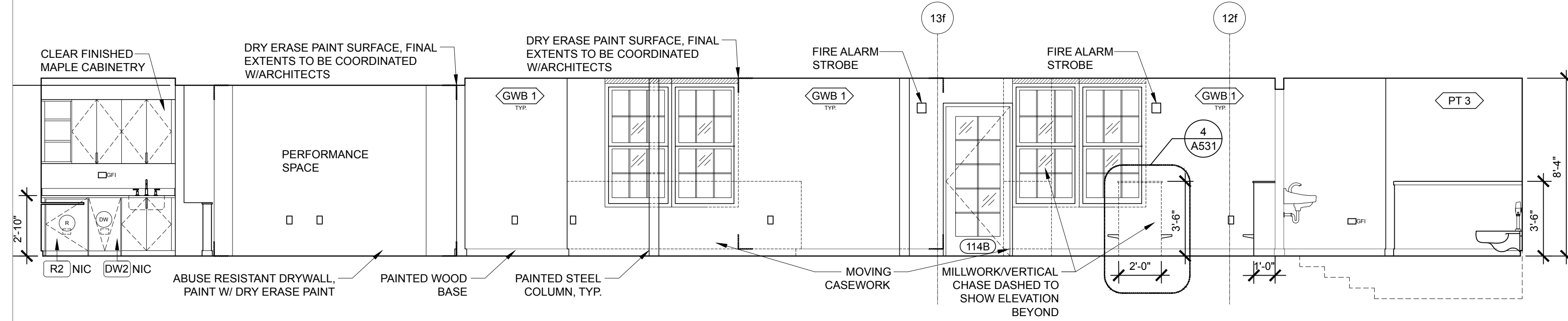
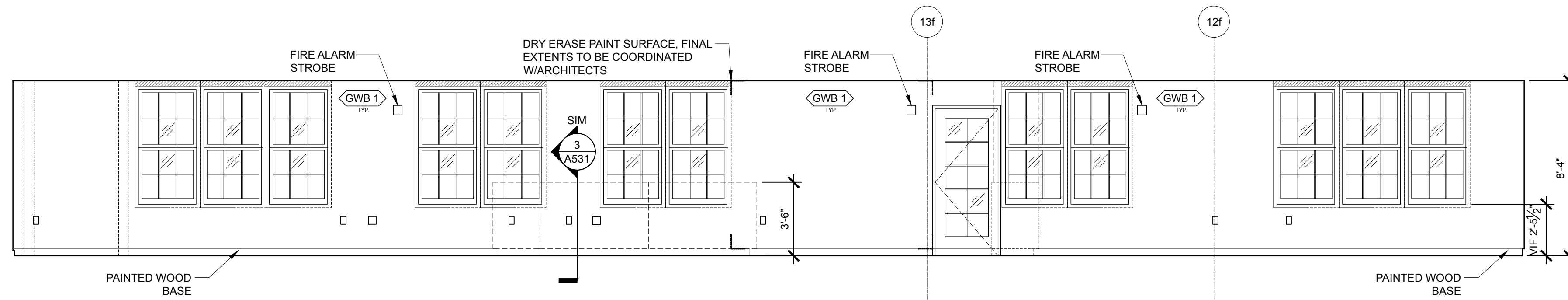


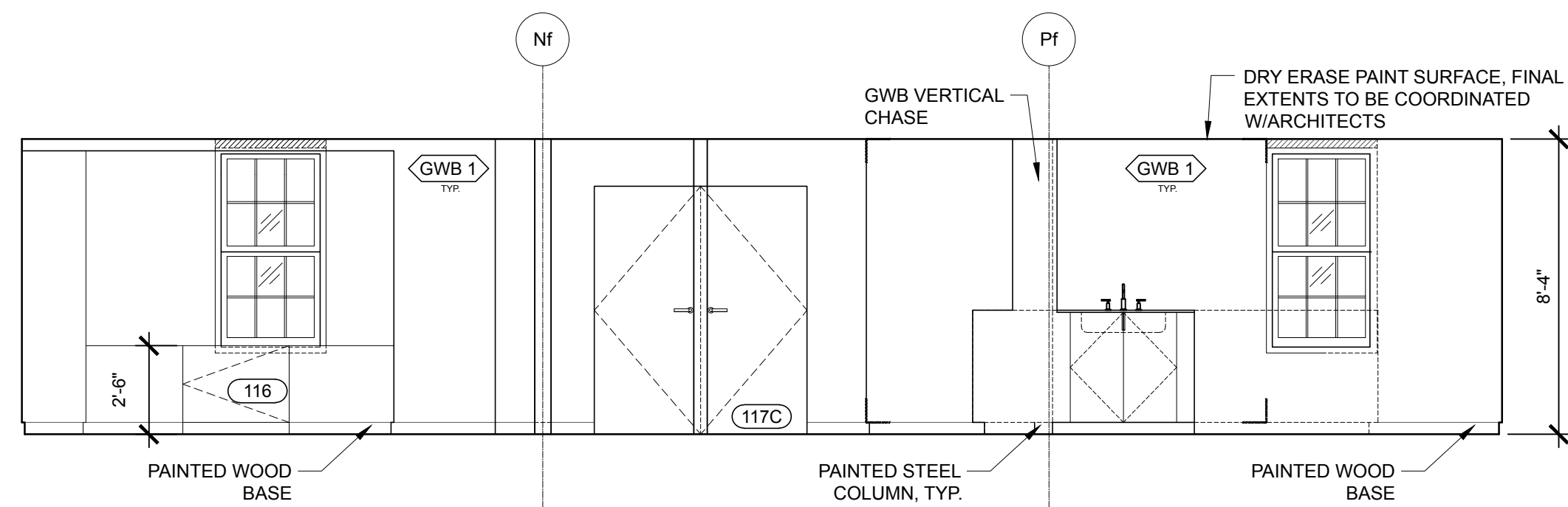
1 FOUNDERS EC ELEVATION
 SCALE: 1/4" = 1'-0"



2 FOUNDERS EC ELEVATION
 SCALE: 1/4" = 1'-0"



3 FOUNDERS EC ELEVATION
 SCALE: 1/4" = 1'-0"



4 FOUNDERS EC ELEVATION
 SCALE: 1/4" = 1'-0"

SEE GENERAL NOTES ON SHEET A521

PROJECT NAME:
**WAYNFLETE
 FOUNDERS HALL**
 RENOVATIONS
 360 SPRING STREET
 PORTLAND, ME 04101

SEAL:

THIS DRAWING IS THE PROPERTY OF SCOTT SIMONS ARCHITECTS (SSA) AND IS NOT TO BE COPIED OR REPRODUCED IN PART OR WHOLE 2015 © SCOTT SIMONS ARCHITECTS, LLC

REVISION:	DATE
1	DATE
2	DATE
3	DATE
4	DATE
5	DATE
6	DATE

DATE OF ISSUE: 5 JANUARY, 2015
 PROJECT NUMBER: 2015-0200
 STATUS: DESIGN DEVELOPMENT

**INTERIOR
 ELEVATIONS
 MAIN
 LEVEL-FOUNDERS**

A525