

THIS DRAWING IS THE PROPERTY OF SCOTT SIMONS ARCHITECTS (SSA) AND IS NOT TO BE COPIED OR REPRODUCED IN PART OR WHOLE 2016 © SCOTT SIMONS ARCHITECTS, LLC

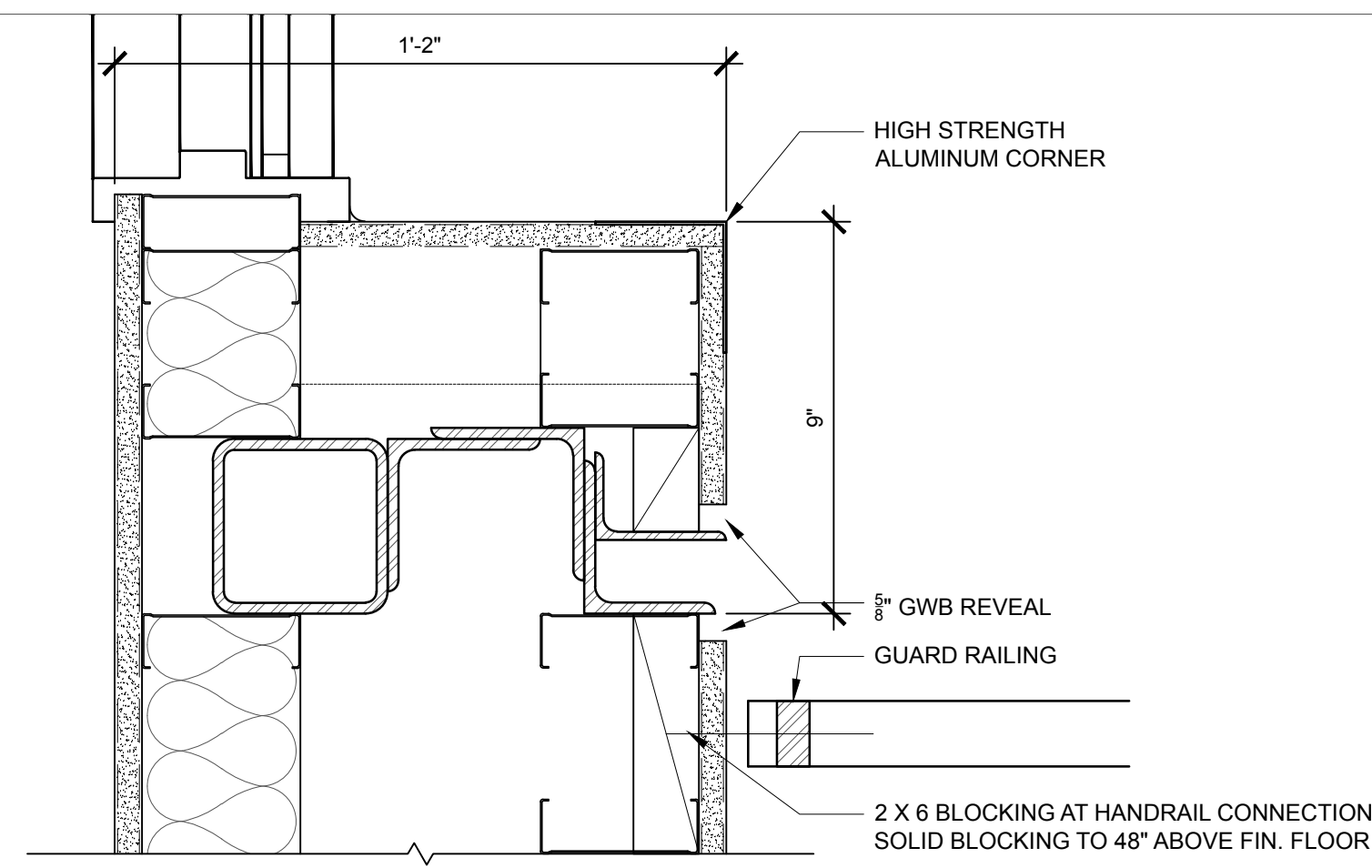
REVISION:

1	DATE
2	DATE
3	DATE
4	DATE
5	DATE
6	DATE

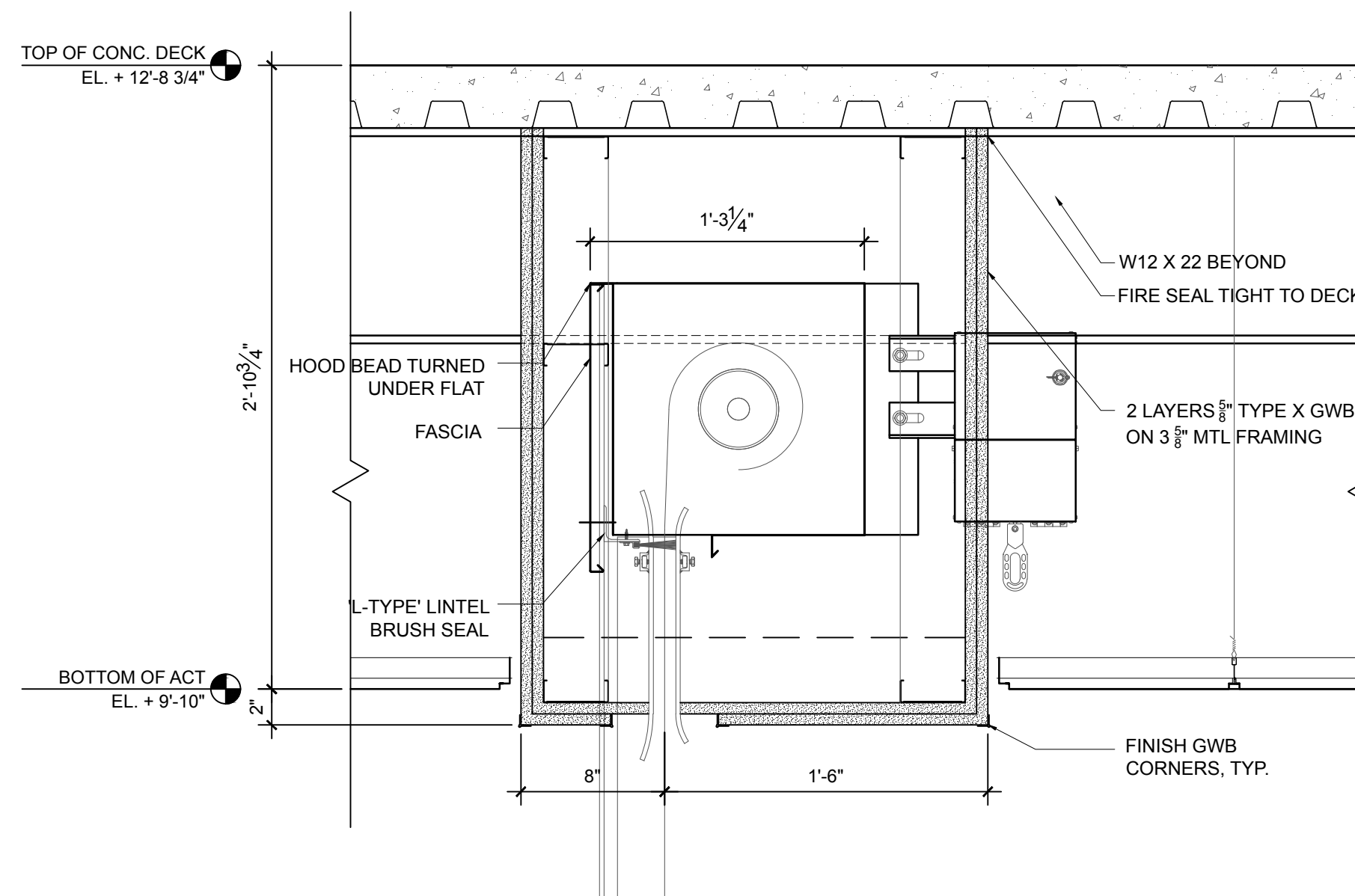
DATE OF ISSUE: 12 JANUARY 2017
PROJECT NUMBER: 2013-0050
STATUS: 100% CONSTRUCTION DOCUMENTS ISSUED FOR BID

**VERTICAL
CIRCULATION**

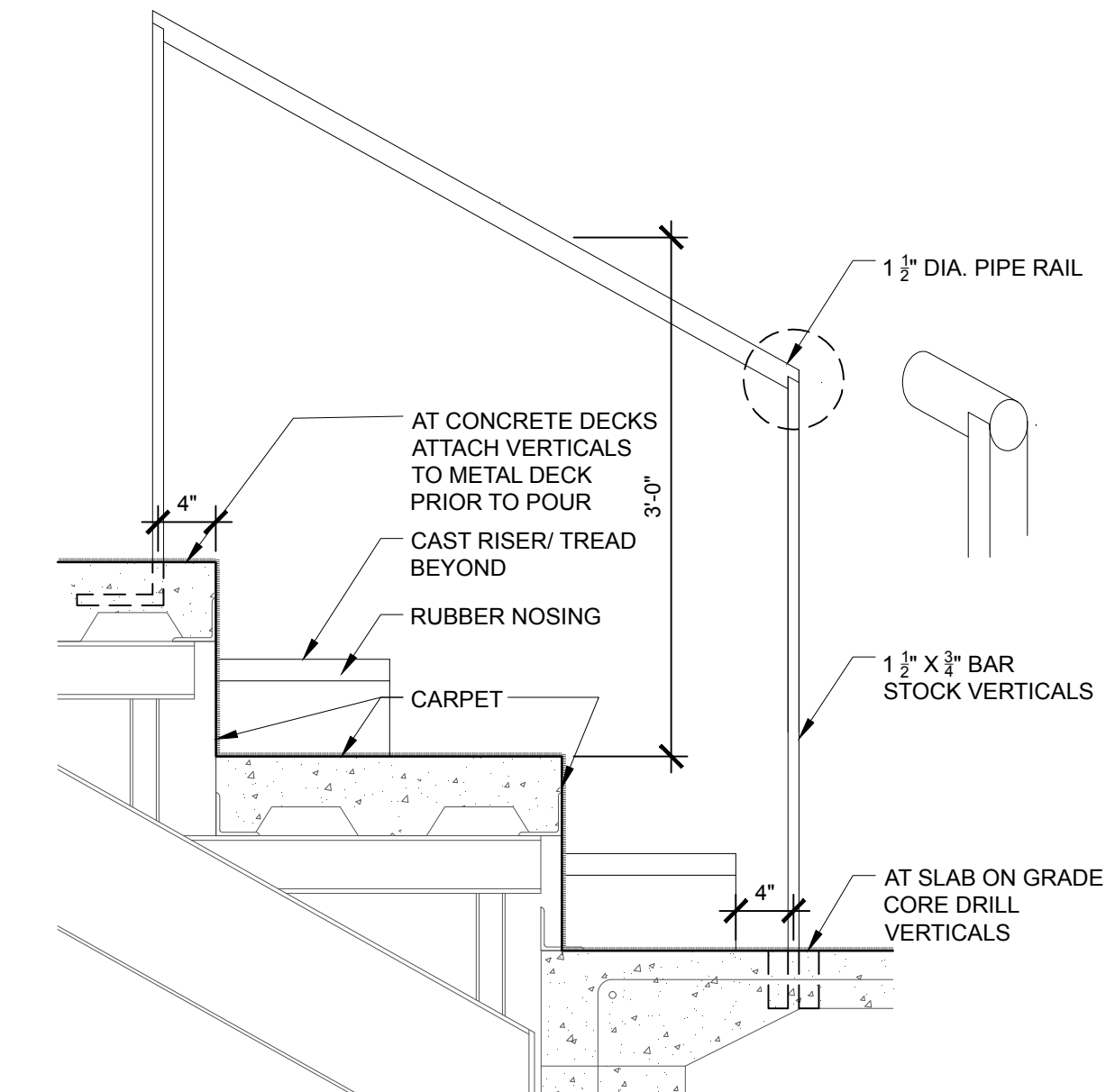
A502



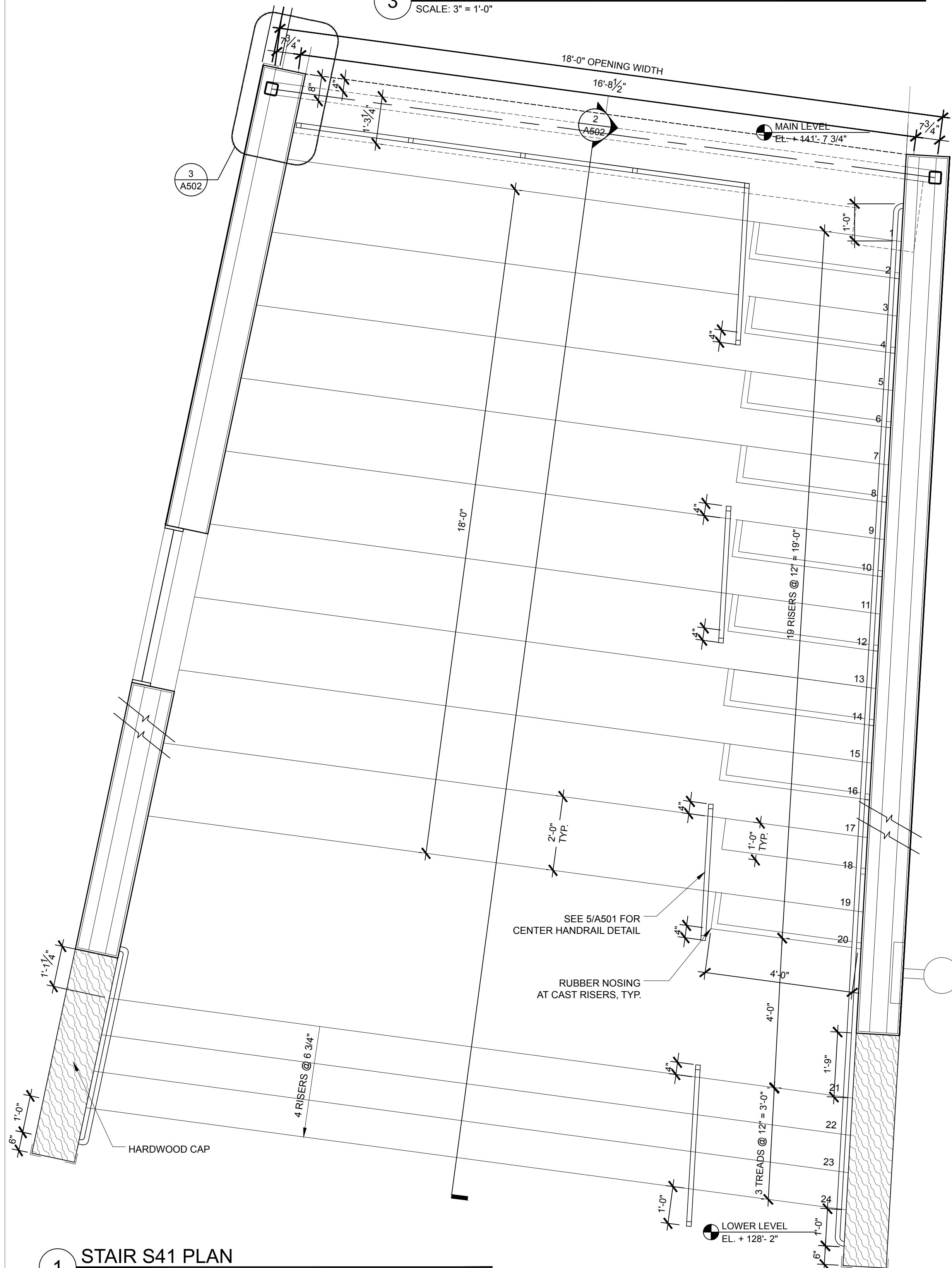
3 FIRE SHUTTER PLAN DETAIL
SCALE: 3" = 1'-0"



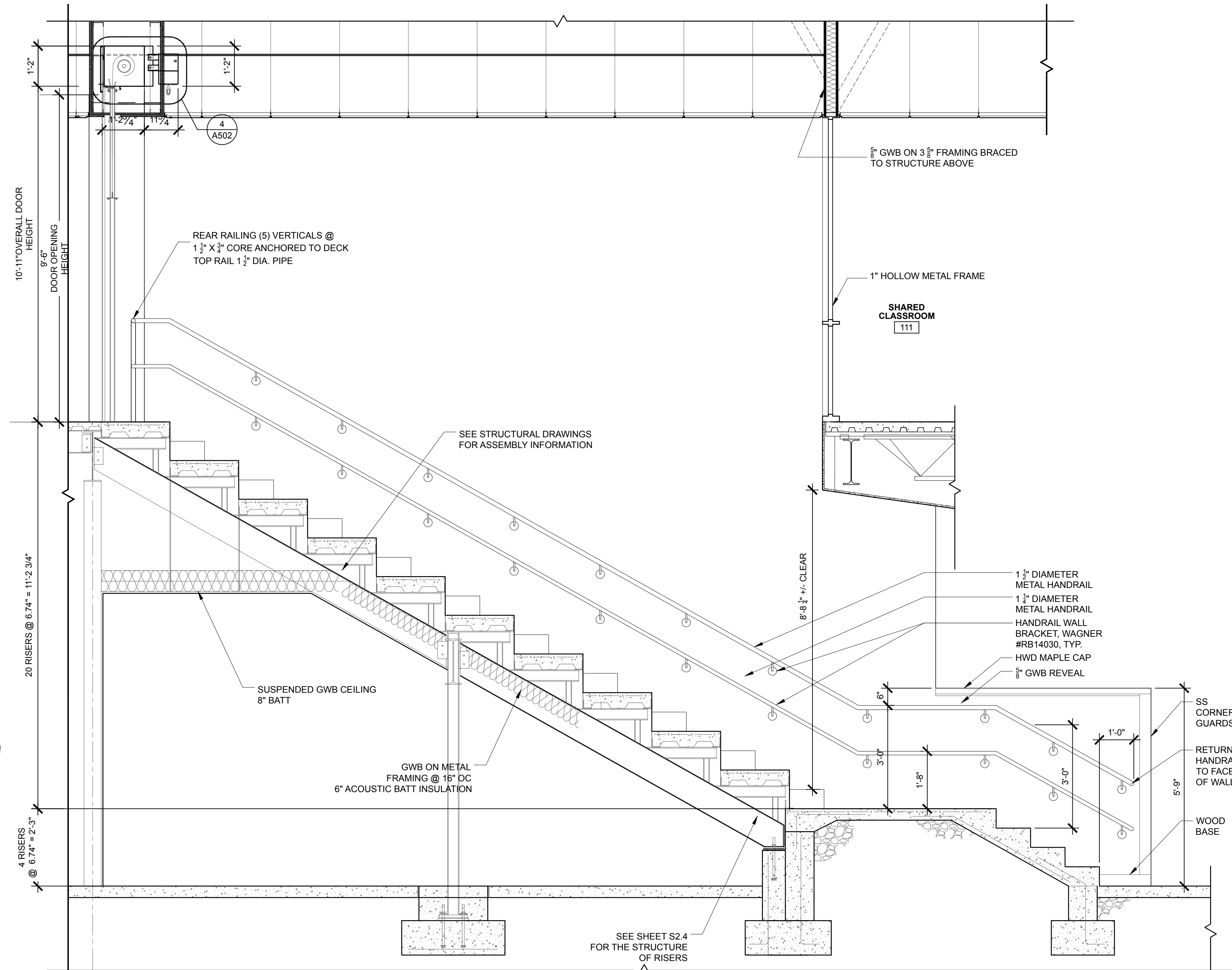
4 FIRE SHUTTER SECTION DETAIL
SCALE: 1 1/2" = 1'-0"



5 CENTER HANDRAIL DETAIL
SCALE: 1" = 1'-0"



1 STAIR S41 PLAN
SCALE: 1/2" = 1'-0"



2 STAIR S41 SECTION
SCALE: 1/2" = 1'-0"