

THIS DRAWING IS THE PROPERTY OF SCOTT SIMONS ARCHITECTS (SSA) AND IS NOT TO BE COPIED OR REPRODUCED IN PART OR WHOLE 2016 © SCOTT SIMONS ARCHITECTS, LLC

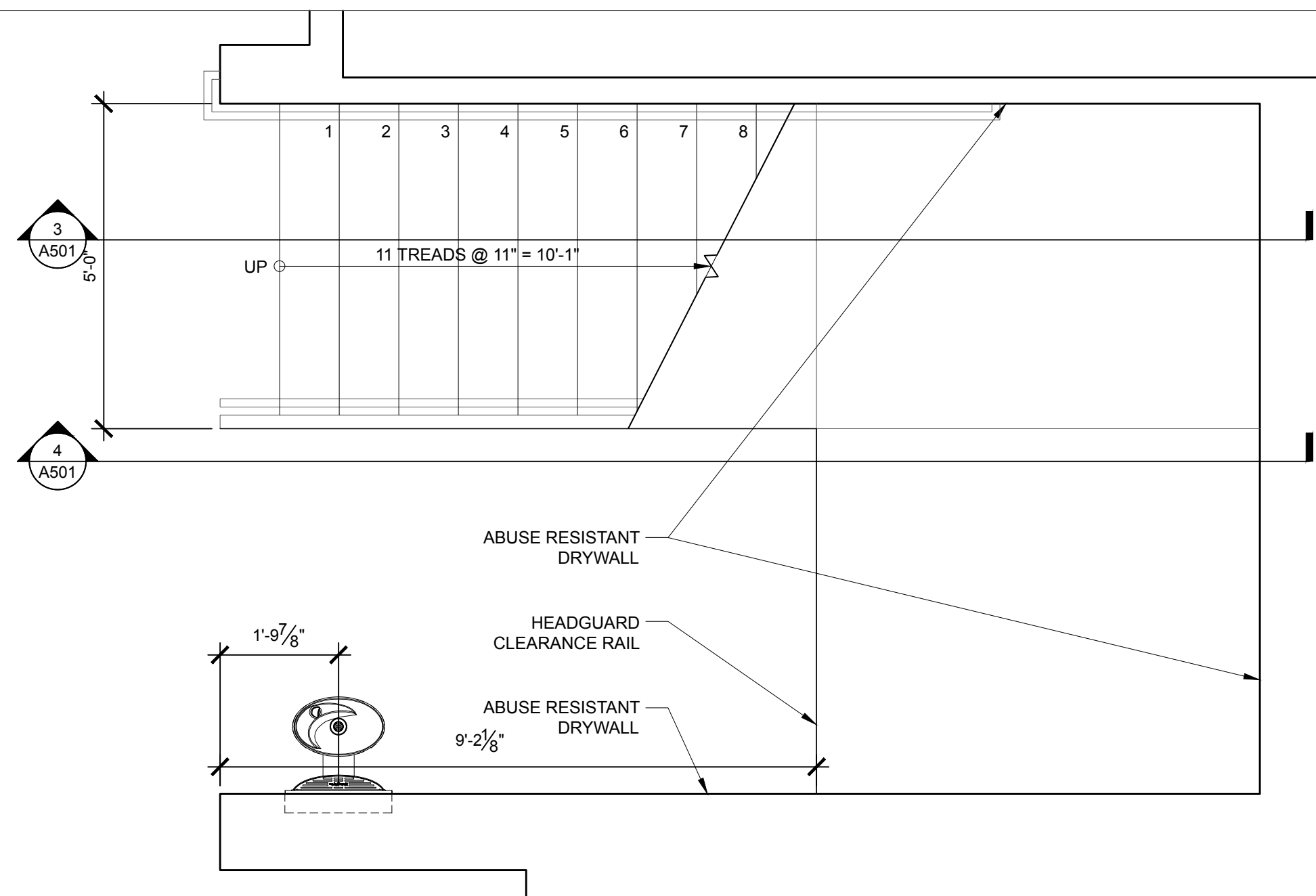
REVISION:

1	DATE
2	DATE
3	DATE
4	DATE
5	DATE
6	DATE

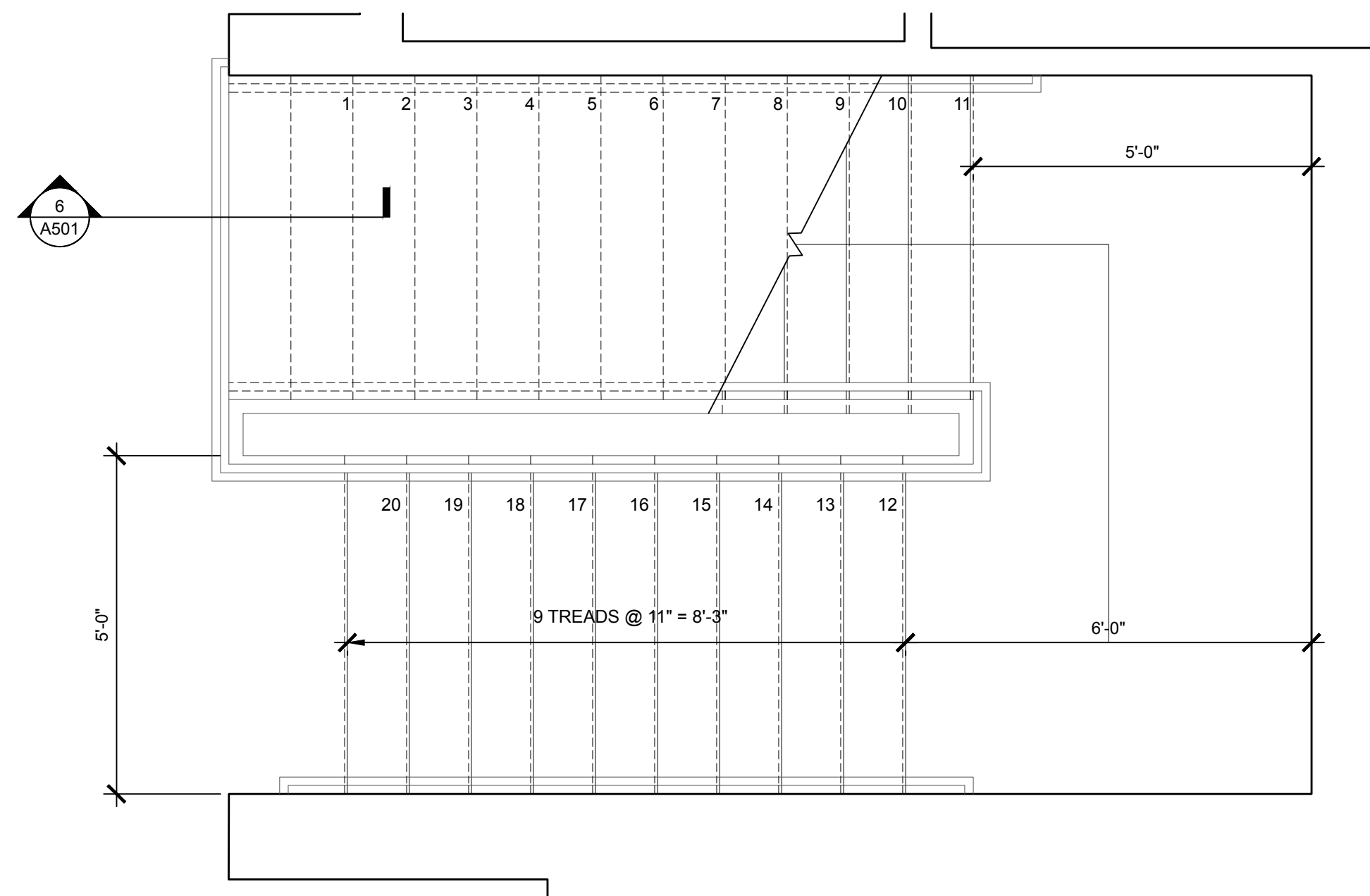
DATE OF ISSUE: 12 JANUARY 2017
 PROJECT NUMBER: 2013-0050
 STATUS: 100% CONSTRUCTION DOCUMENTS ISSUED FOR BID

**VERTICAL
 CIRCULATION**

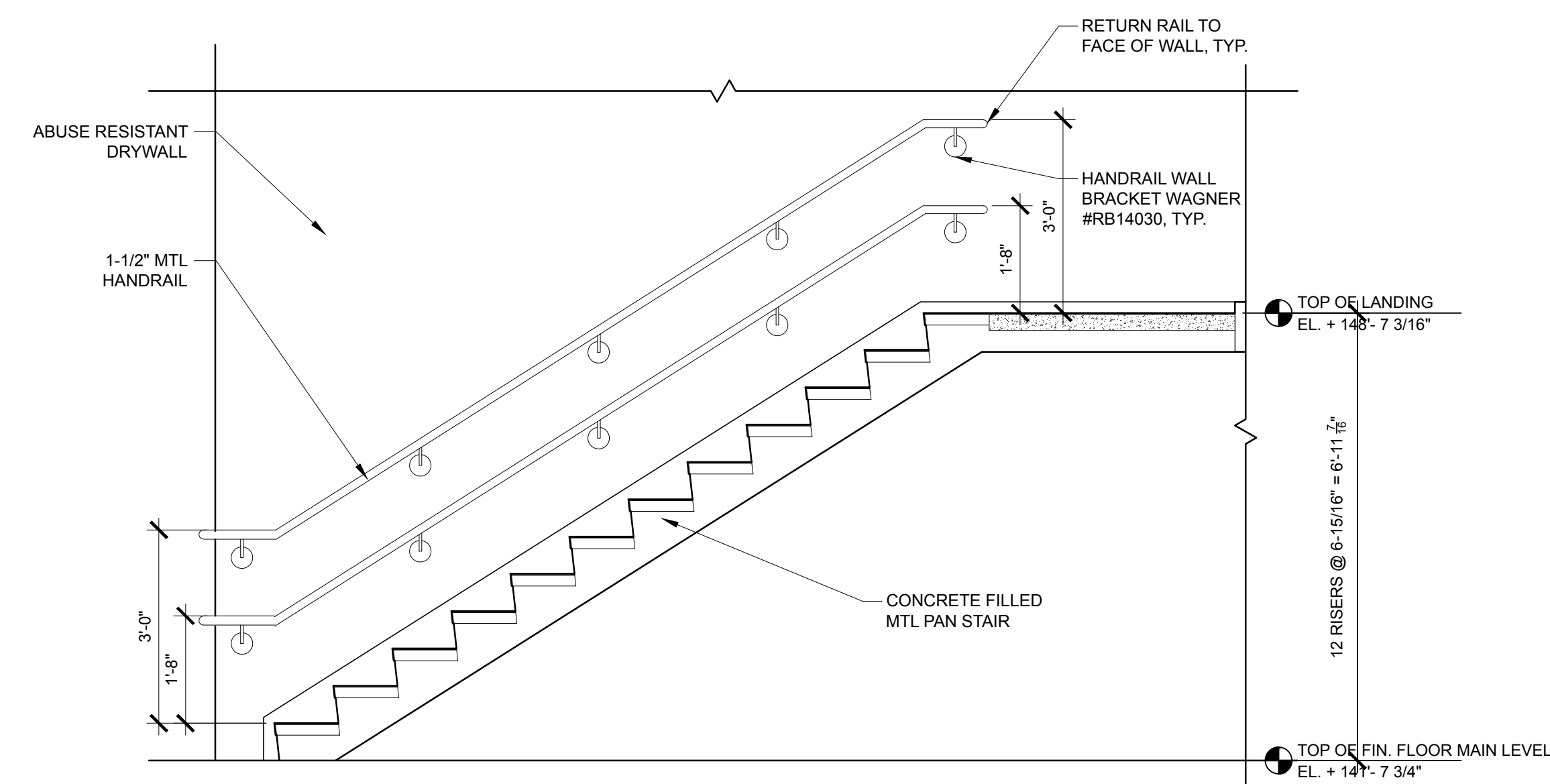
A501



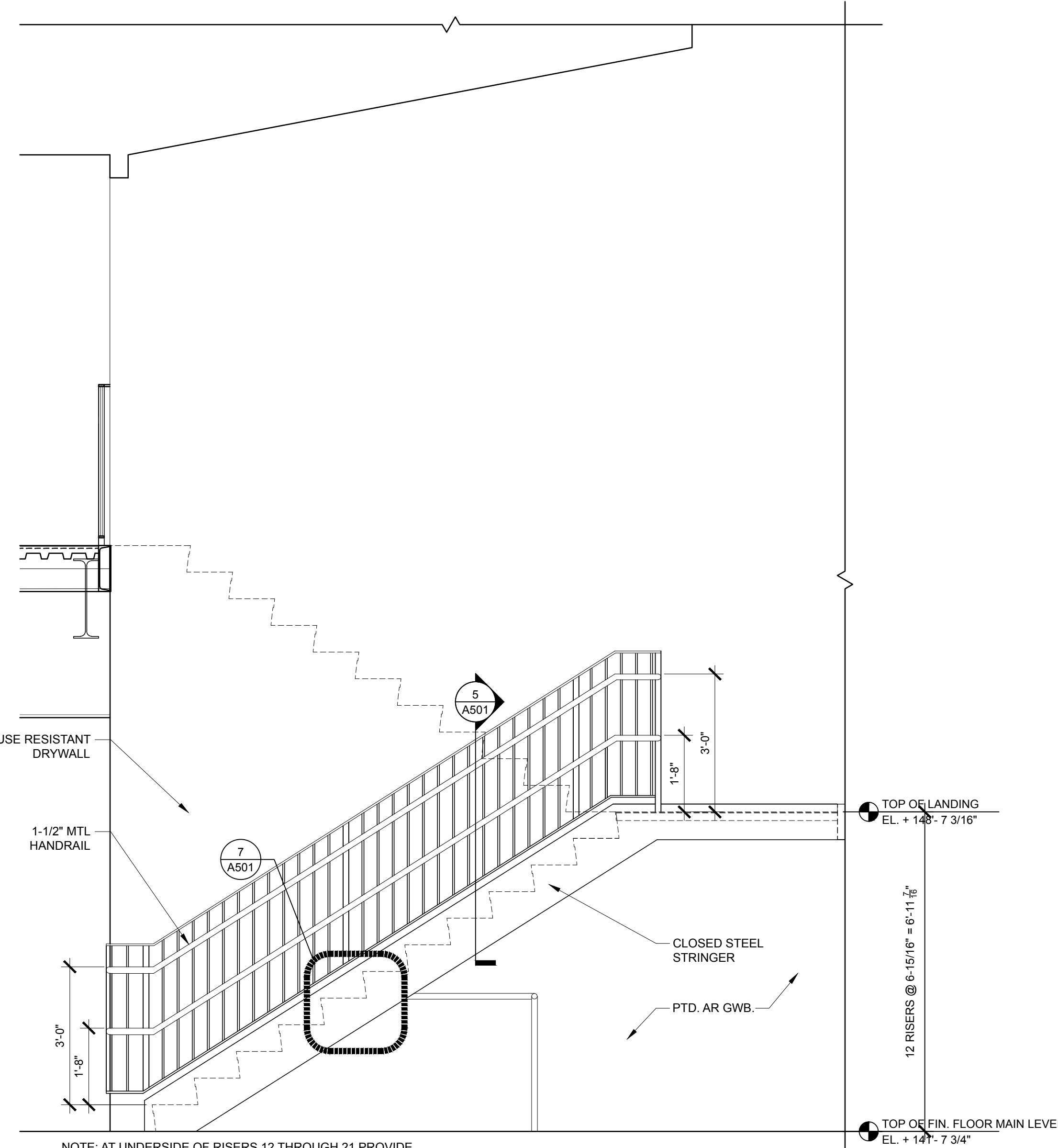
1 STAIR S1-1 PLAN
 SCALE: 1/2" = 1'-0"



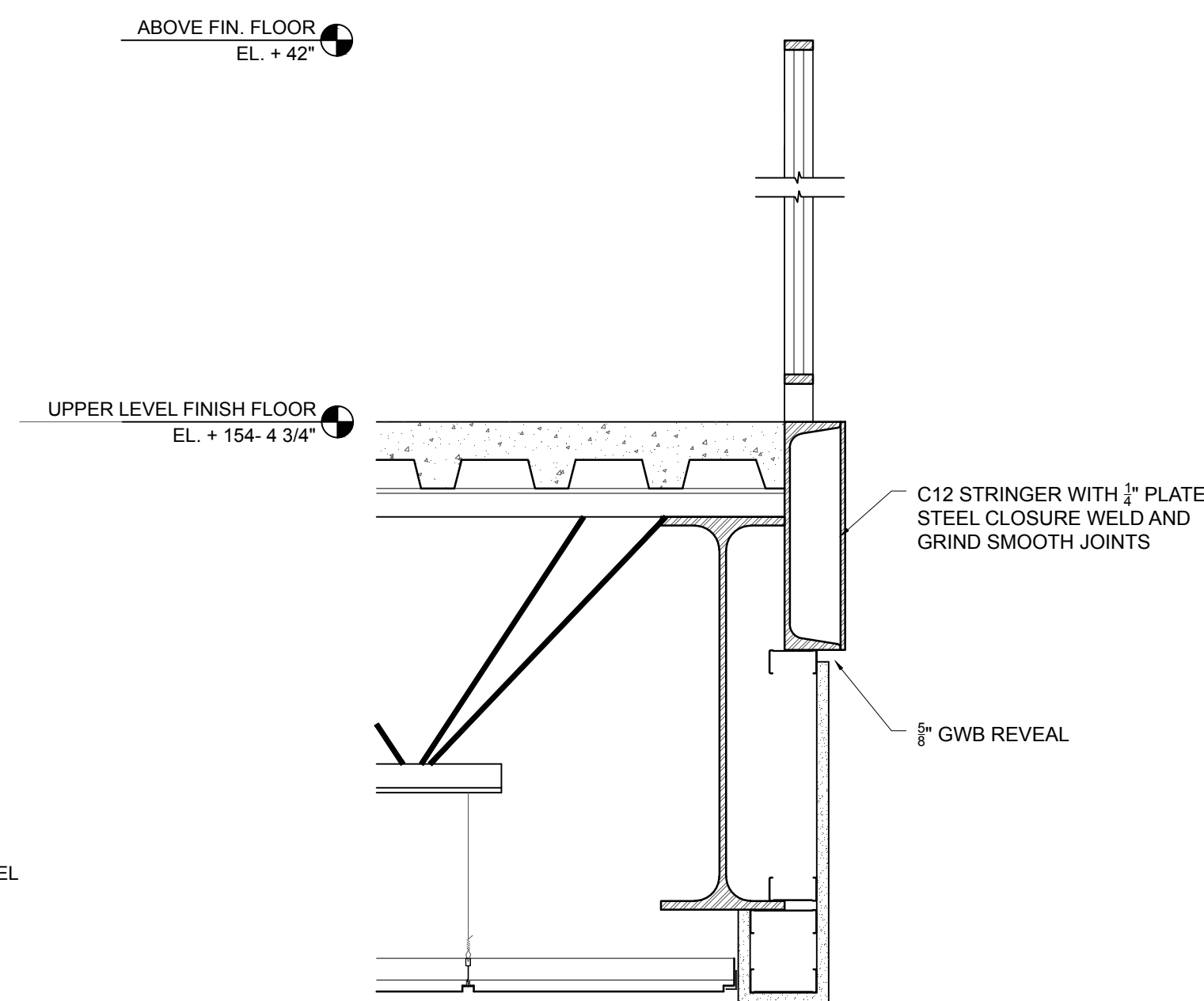
2 STAIR S1-2 PLAN
 SCALE: 1/2" = 1'-0"



3 STAIR S1 SECTION
 SCALE: 1/2" = 1'-0"



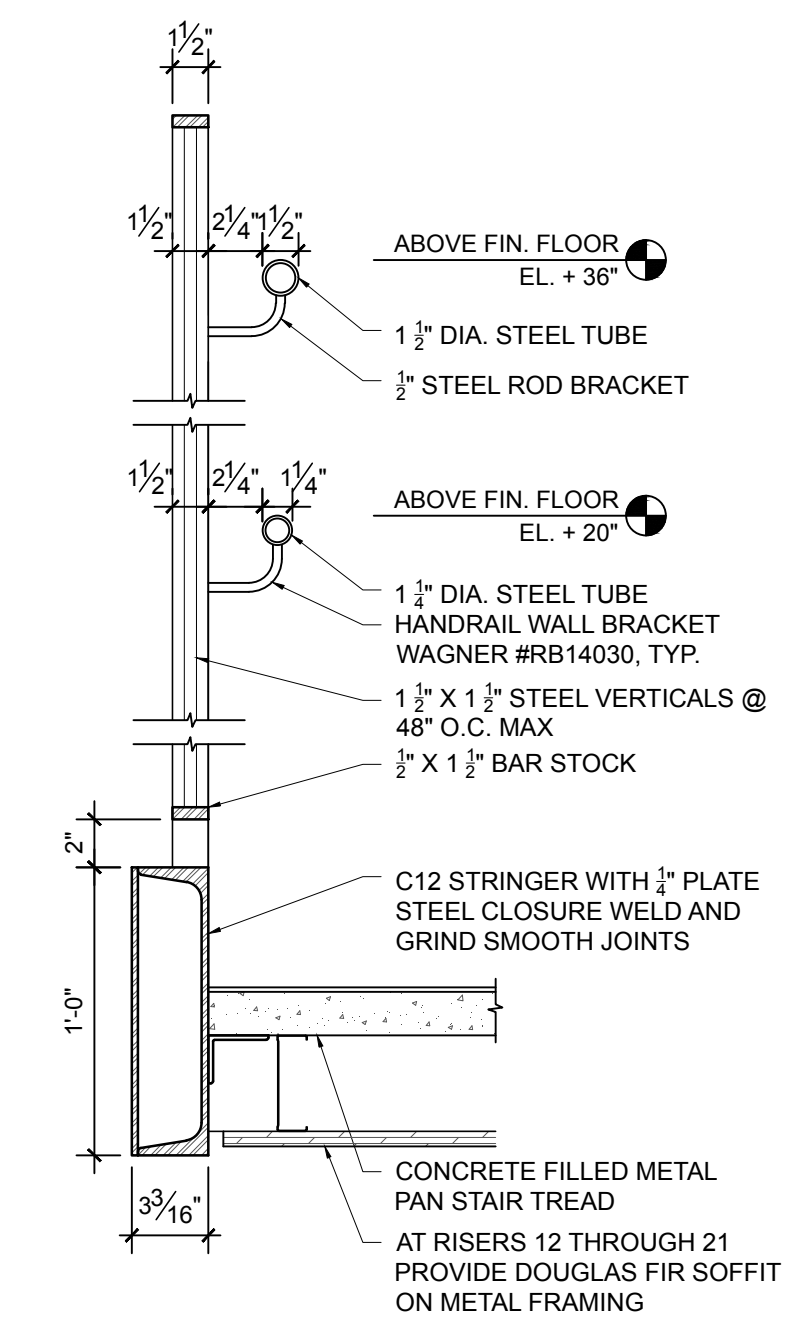
4 STAIR S1 SECTION
 SCALE: 1/2" = 1'-0"



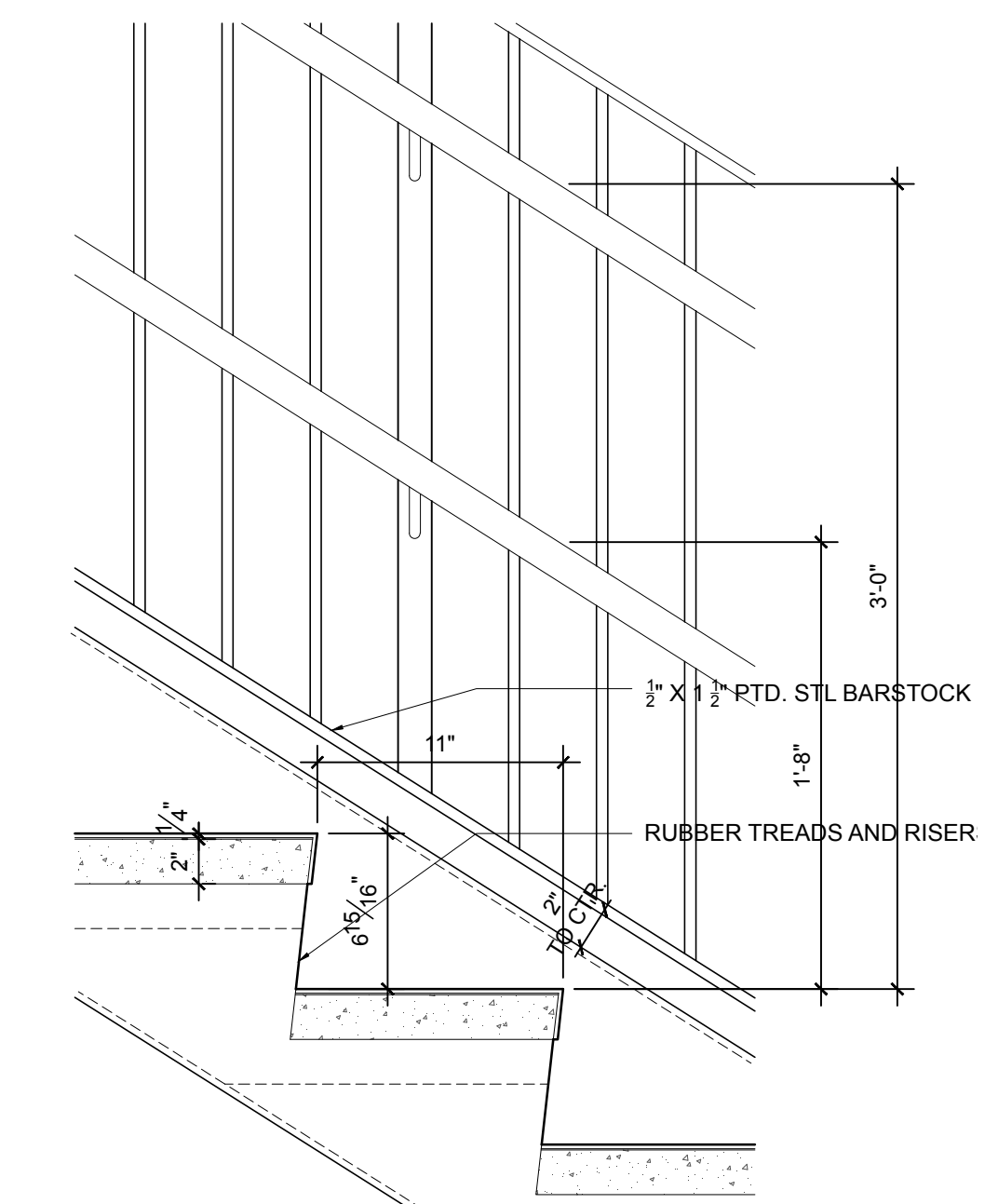
6 UNDERSIDE OF STAIR SECTION
 SCALE: 1 1/2" = 1'-0"

NOTE: BASE BID STAIR S1
 RUBBER TREADS AND RISERS
 RUBBER TILE AT LANDING

ALTERNATE NO. 2
 UNGLAZED PORCELAIN TILE TREAD
 PORCELAIN TILE AT LANDING



5 RAILING DETAIL
 SCALE: 1 1/2" = 1'-0"



7 SECTION DETAIL AT STAIR TREAD
 SCALE: 1 1/2" = 1'-0"