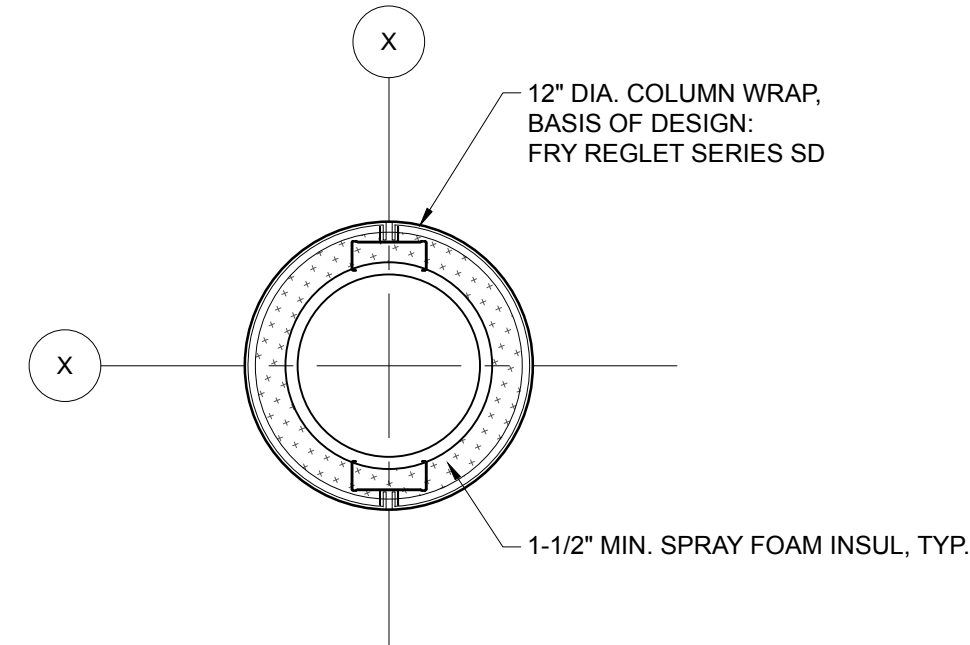
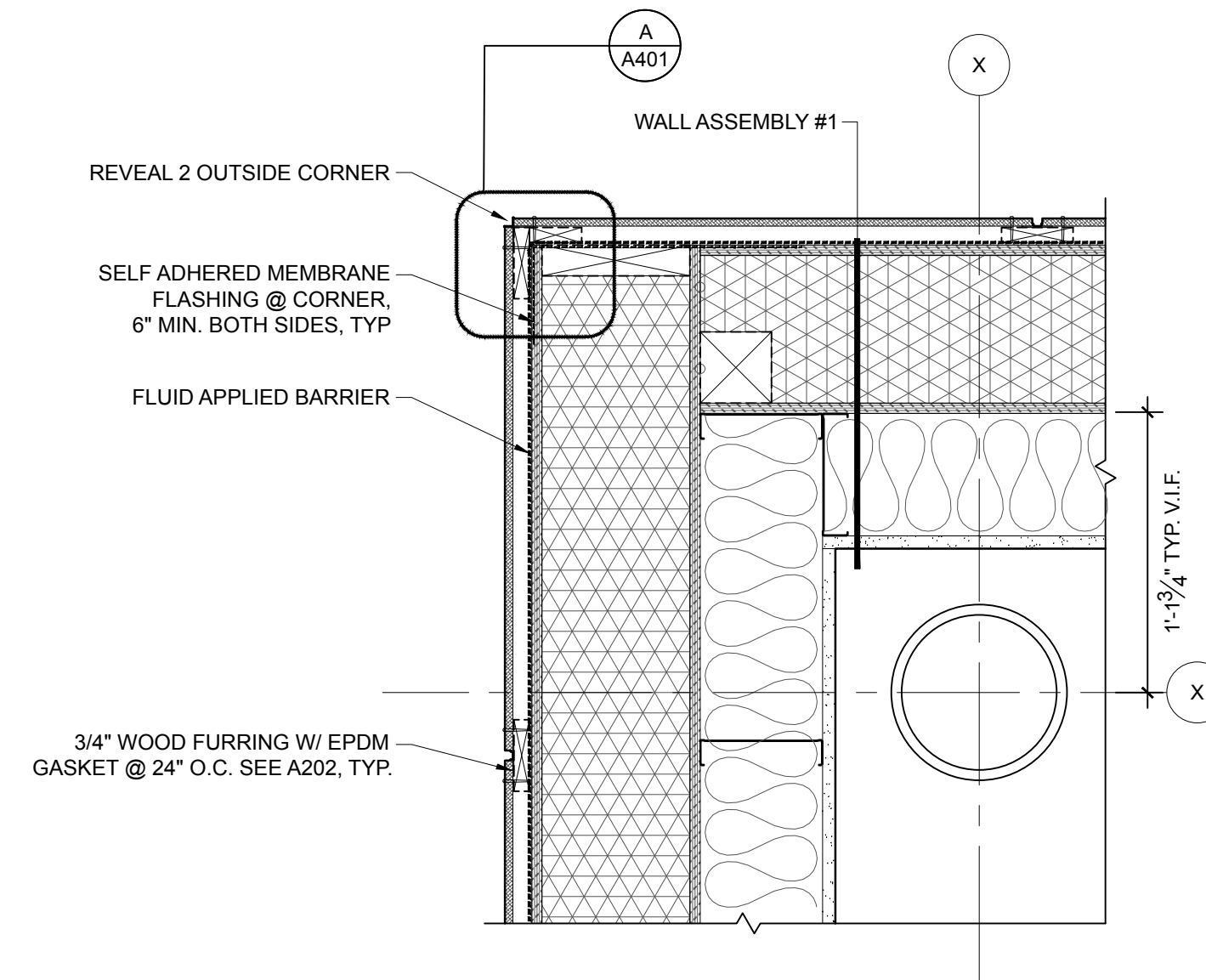


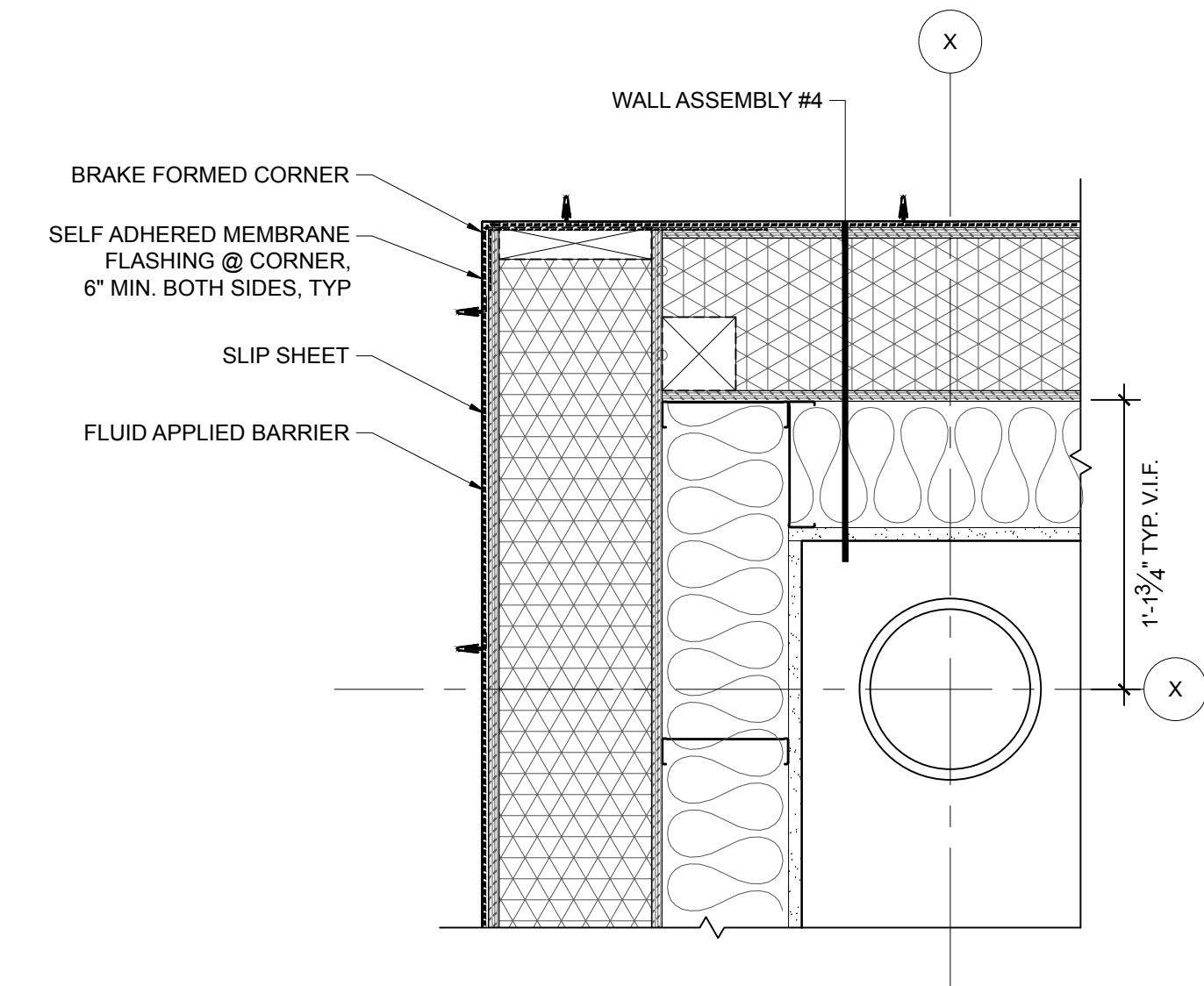
1 BRICK CLADDING
TYPICAL OUTSIDE CORNER
SCALE: 1-1/2" = 1'-0"



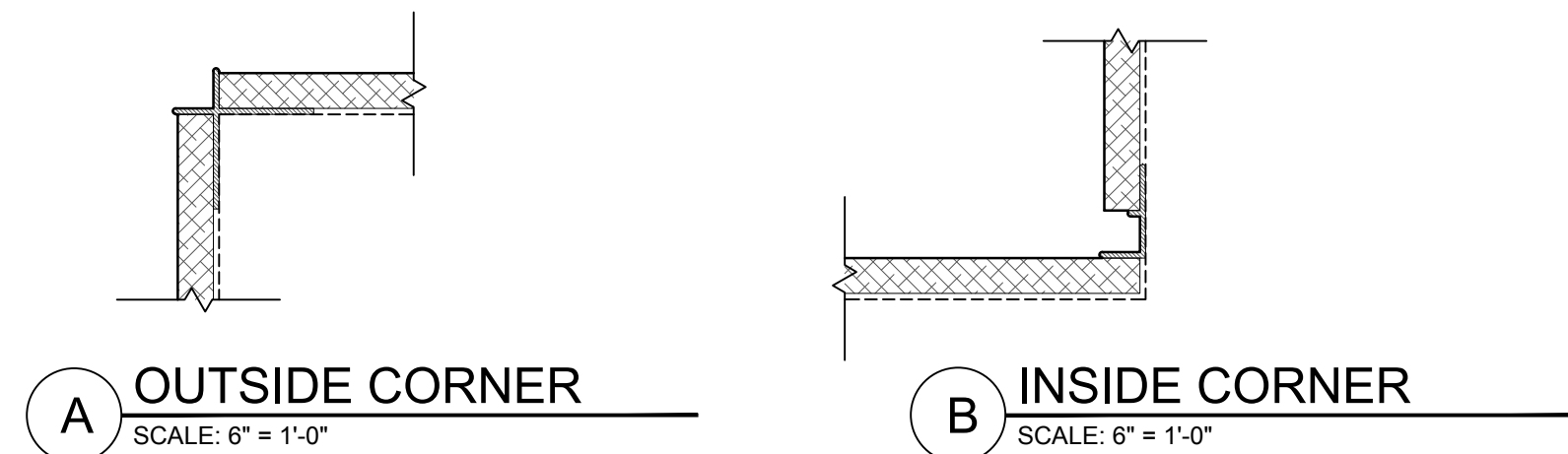
2 TYP. COLUMN COVER DETAIL
SCALE: 1-1/2" = 1'-0"



3 CEMENTITIOUS CLADDING
TYPICAL OUTSIDE CORNER
SCALE: 1-1/2" = 1'-0"

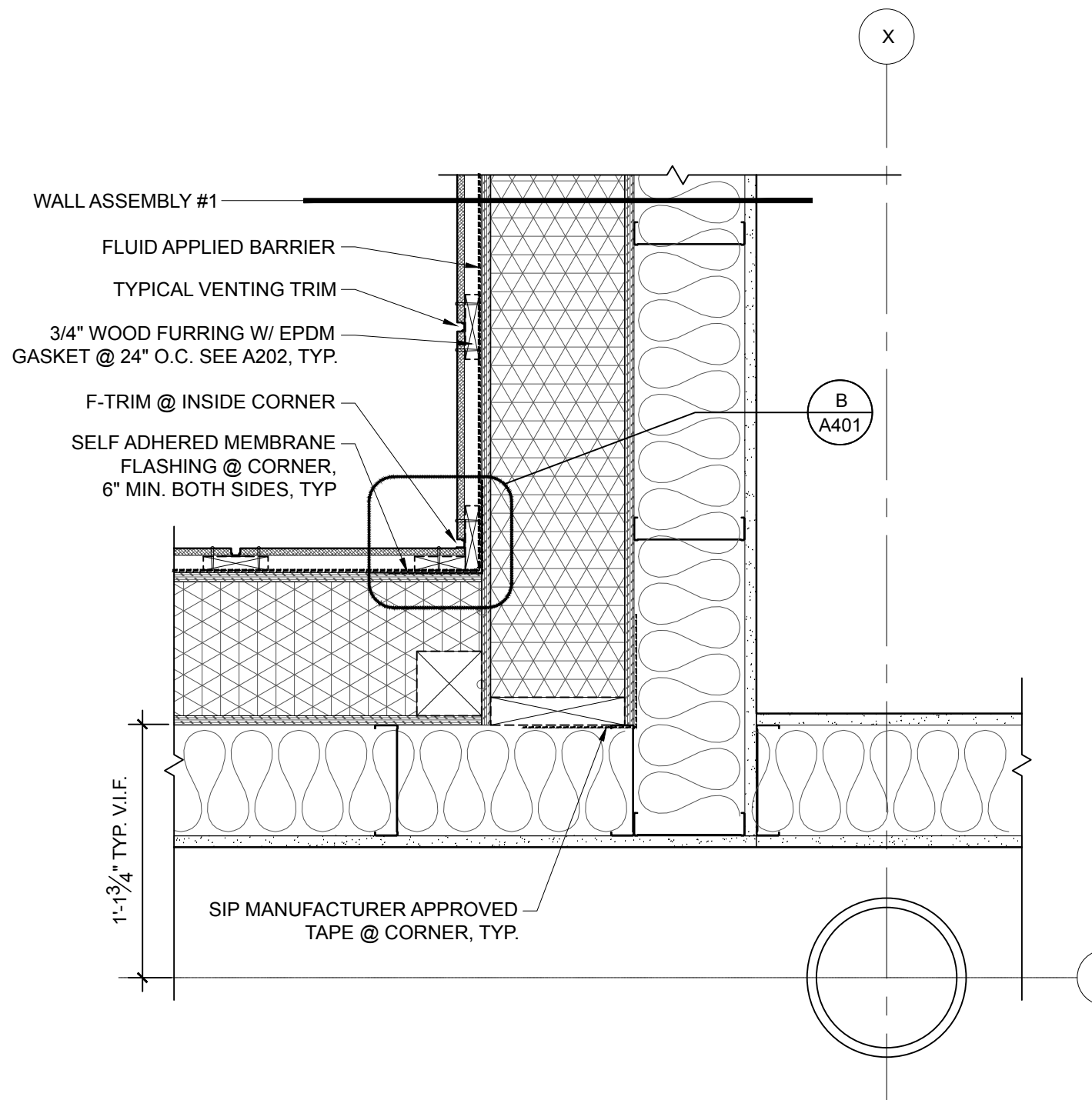


4 METAL CLADDING
TYPICAL OUTSIDE CORNER
SCALE: 1-1/2" = 1'-0"

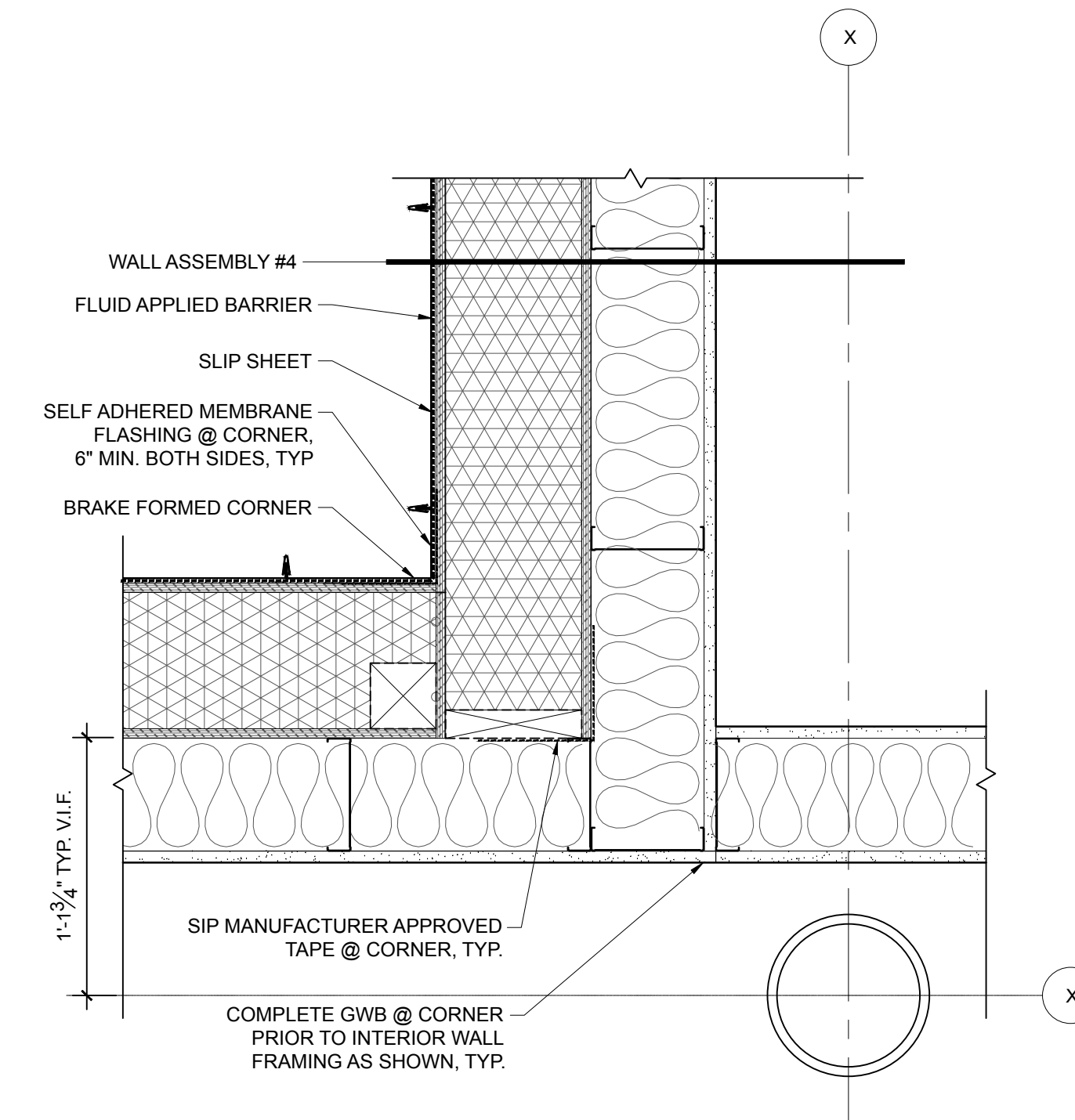


5 BRICK CLADDING
TYPICAL INSIDE CORNER
SCALE: 1-1/2" = 1'-0"

6 TYPICAL INSIDE CORNER
SCALE: 1-1/2" = 1'-0"



7 CEMENTITIOUS CLADDING
TYPICAL INSIDE CORNER
SCALE: 1-1/2" = 1'-0"



8 METAL CLADDING
TYPICAL INSIDE CORNER
SCALE: 1-1/2" = 1'-0"

PROJECT NAME:
**WAYNFLETE
LOWER SCHOOL
ADDITION & RENOVATIONS**
WAYNFLETE SCHOOL
360 SPRING STREET
PORTLAND, MAINE 04102



THIS DRAWING IS THE PROPERTY OF SCOTT SIMONS ARCHITECTS (SSA) AND IS NOT TO BE COPIED OR REPRODUCED IN PART OR WHOLE 2016 © SCOTT SIMONS ARCHITECTS, LLC

REVISION:

1	DATE
2	DATE
3	DATE
4	DATE
5	DATE
6	DATE

DATE OF ISSUE: 12 JANUARY 2017
PROJECT NUMBER: 2013-0050
STATUS: 100% CONSTRUCTION DOCUMENTS ISSUED FOR BID

PLAN DETAILS

A401