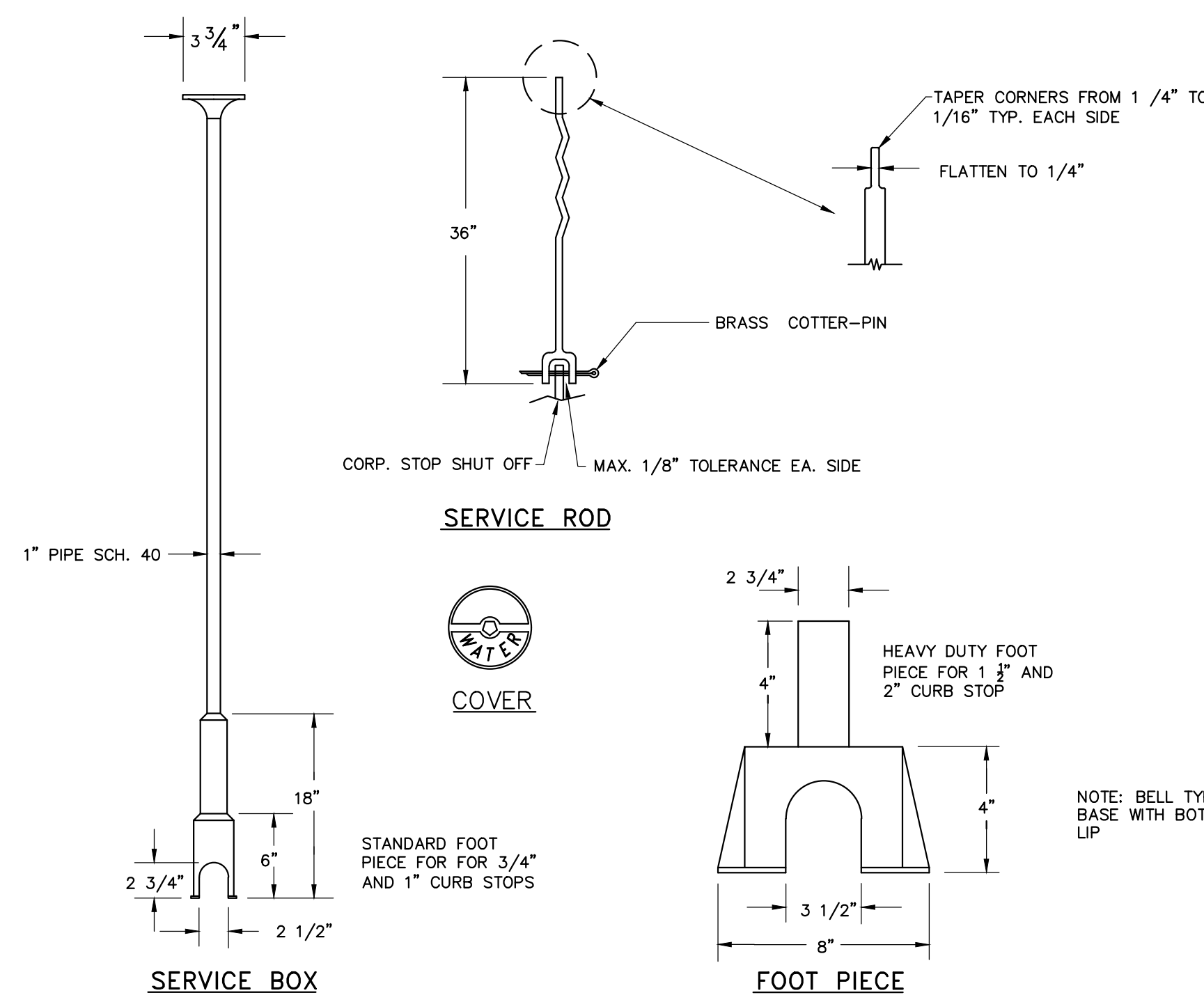
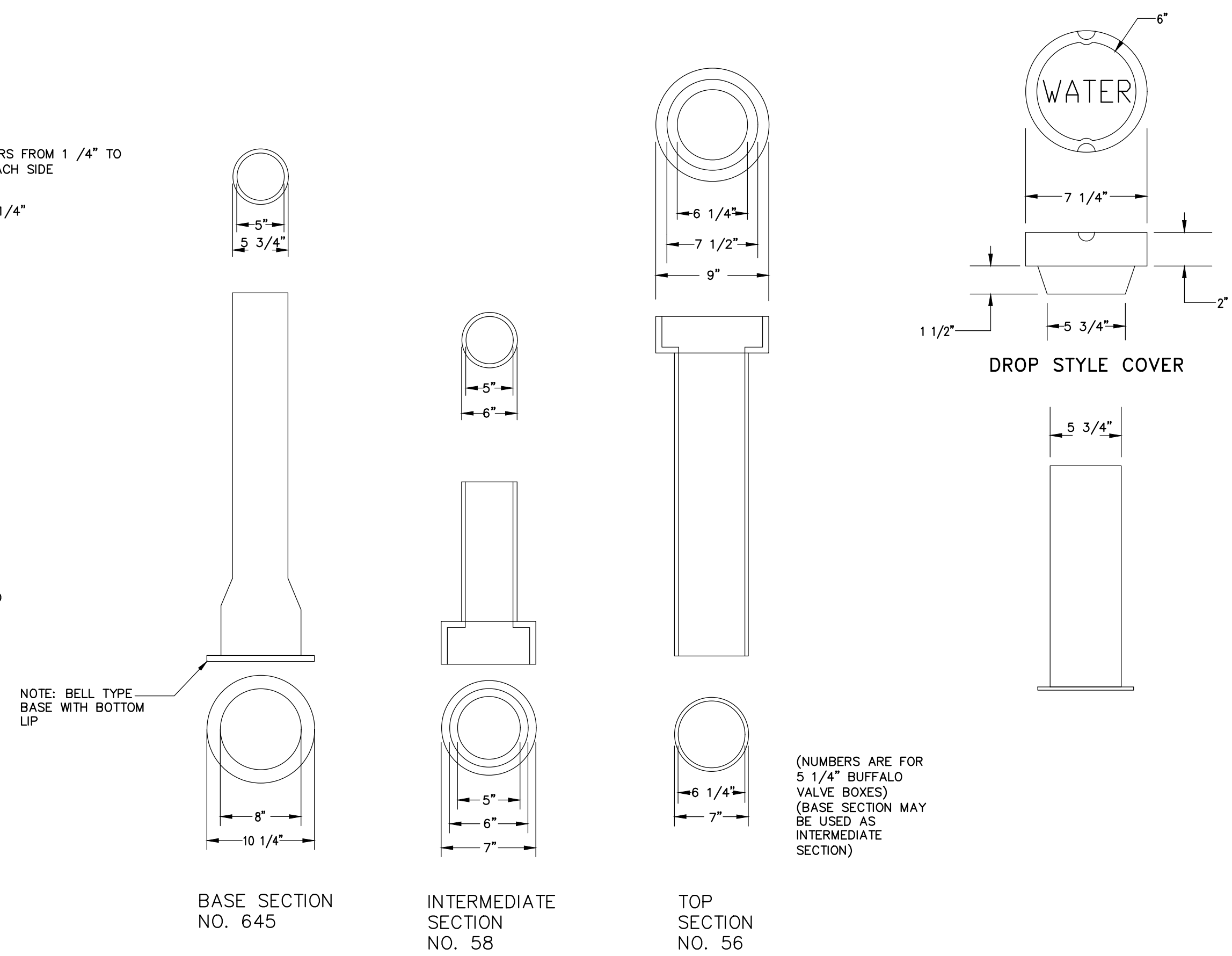


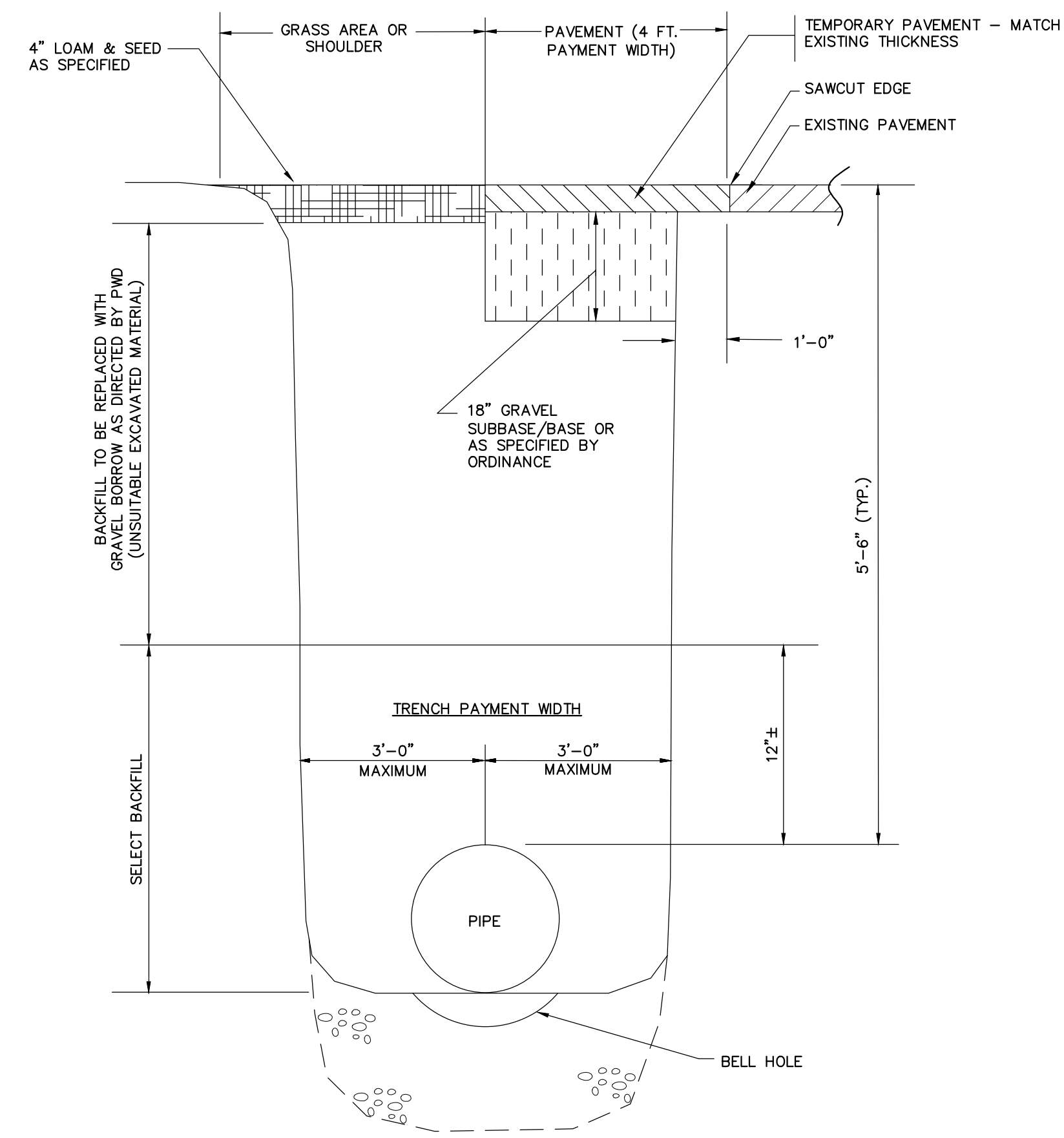
**STANDARD 2" BLOW OFF**  
N.T.S.



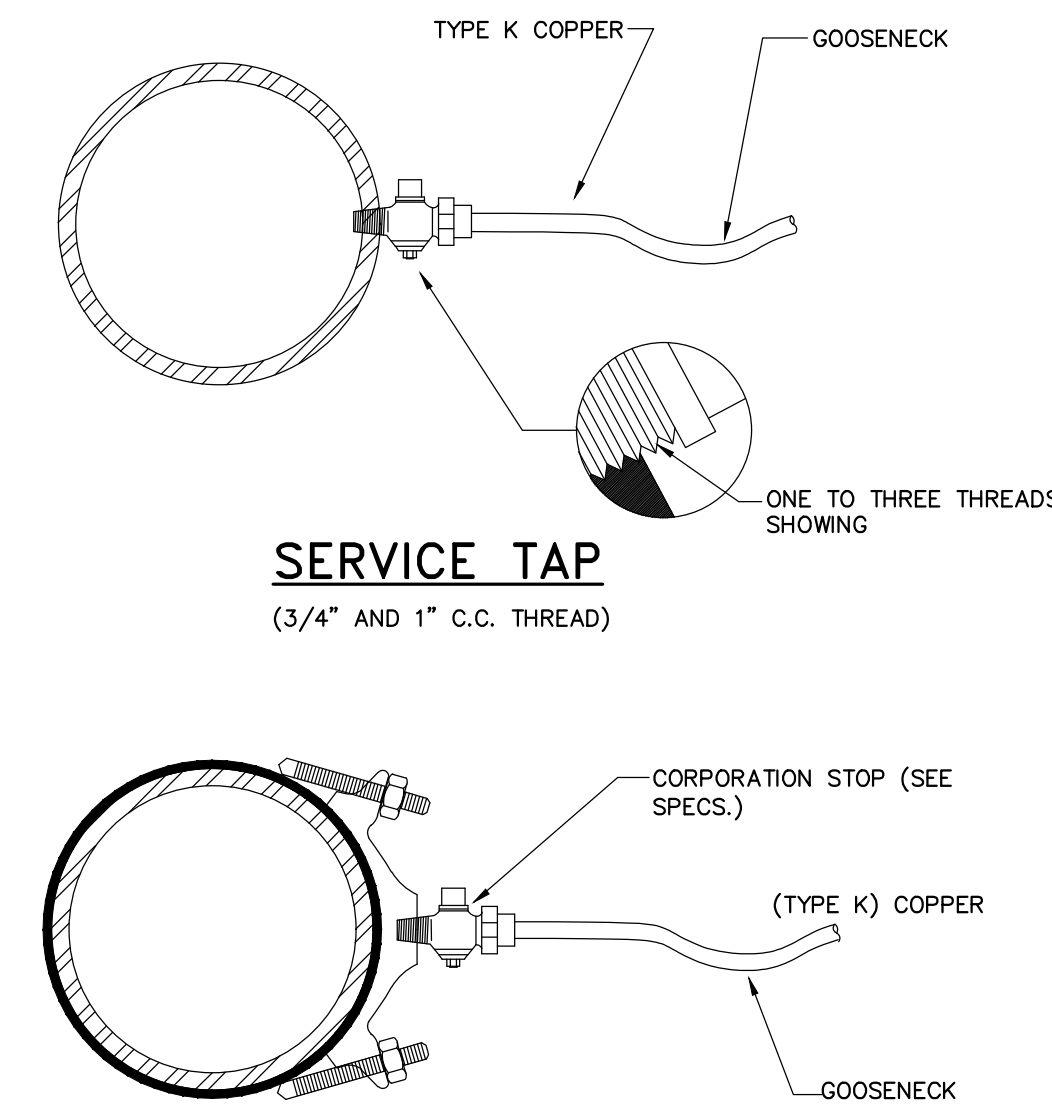
NOTE: ANY EXTENSION OF SERVICE BOX REQUIRES:  
1.) 1" FEMALE IRON PIPE COUPLING 2) 1" THREADED PIPE (THIS IS TO BE A NON-WELDED, TWO PIECE ARRANGEMENT. SLIP ON ADAPTERS ARE NOT PERMISSIBLE.)



**VALVE BOX & COVER**  
N.T.S.

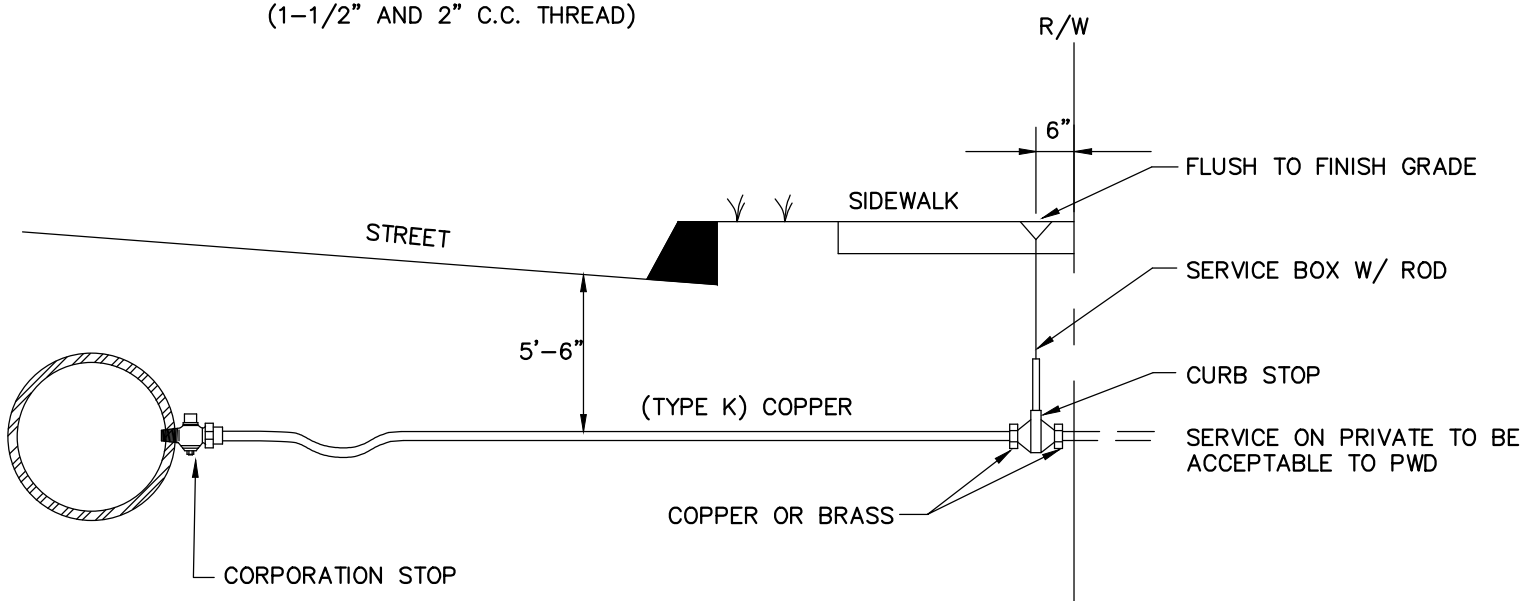


**SECTION THRU EARTH TRENCH**  
N.T.S.

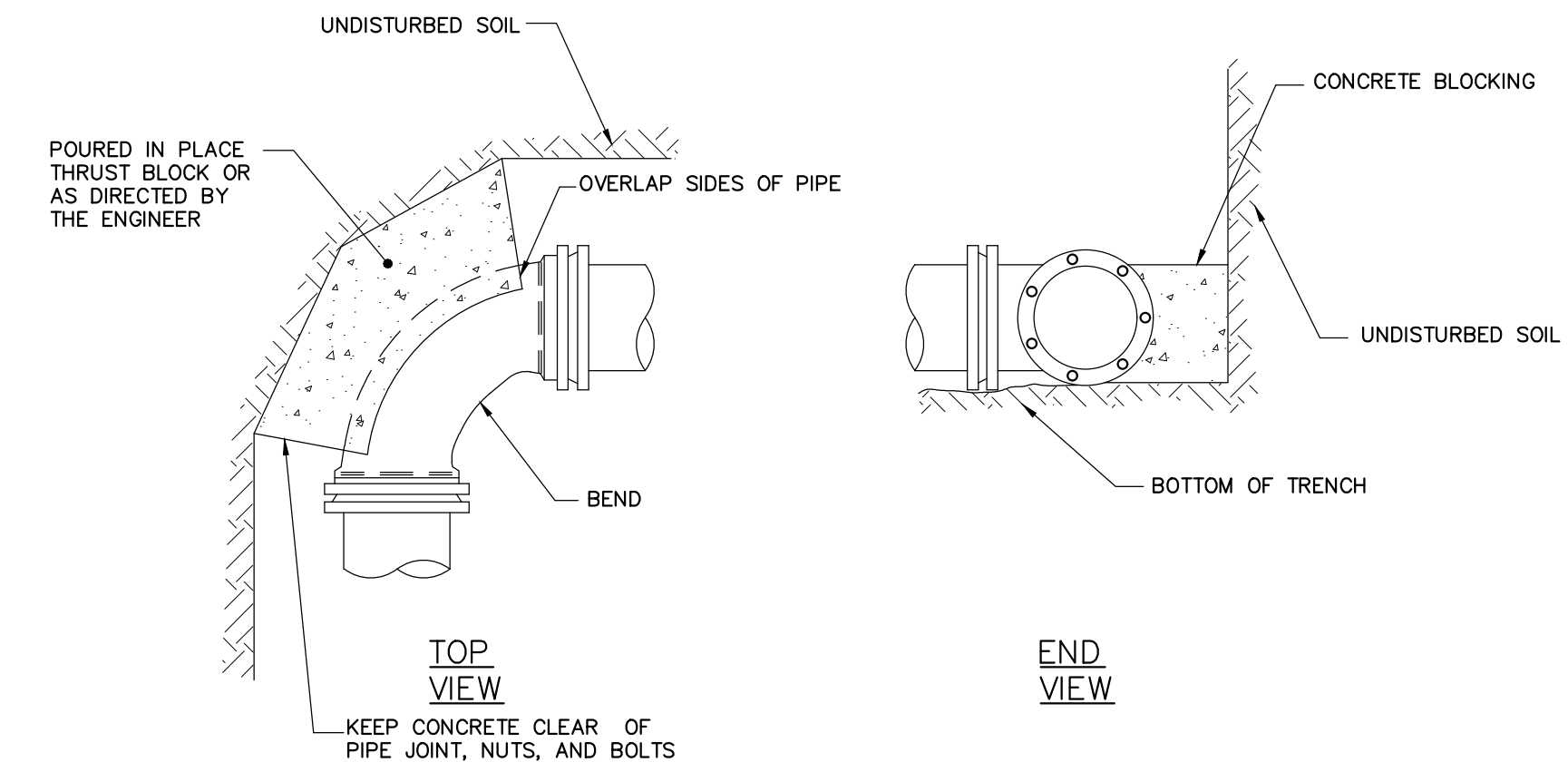


**SERVICE TAP**  
(3/4" AND 1" C.C. THREAD)

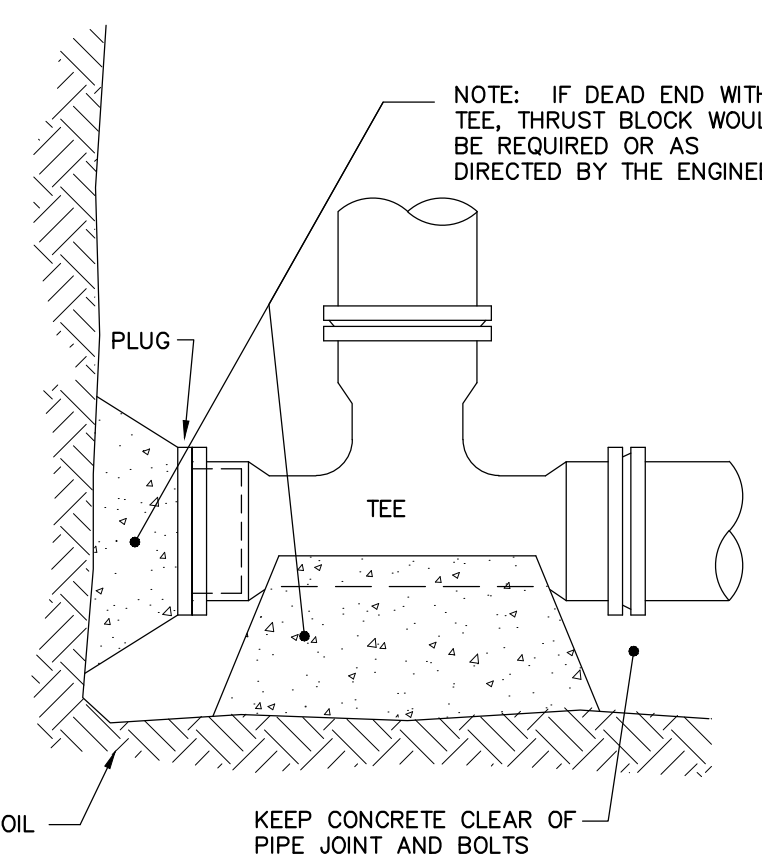
**SERVICE SADDLE**  
(1-1/2" AND 2" C.C. THREAD)



**TYPICAL SERVICE CONNECTION**  
N.T.S.



**STANDARD BEND BLOCKING**  
N.T.S.



**STANDARD TEE BLOCKING**  
N.T.S.

**NOTE:**  
WATER DETAILS FROM PORTLAND WATER DISTRICT ASSET MANAGEMENT & PLANNING DEPT.  
"STANDARD WATER DETAILS WATER MAIN REPLACEMENTS PORTLAND - SOUTH PORTLAND"

REVISION:

1	DATE
2	DATE
3	DATE
4	DATE
5	DATE
6	DATE

DATE OF ISSUE: 12 JANUARY 2017  
PROJECT NUMBER: 229423  
STATUS: ISSUED FOR BID