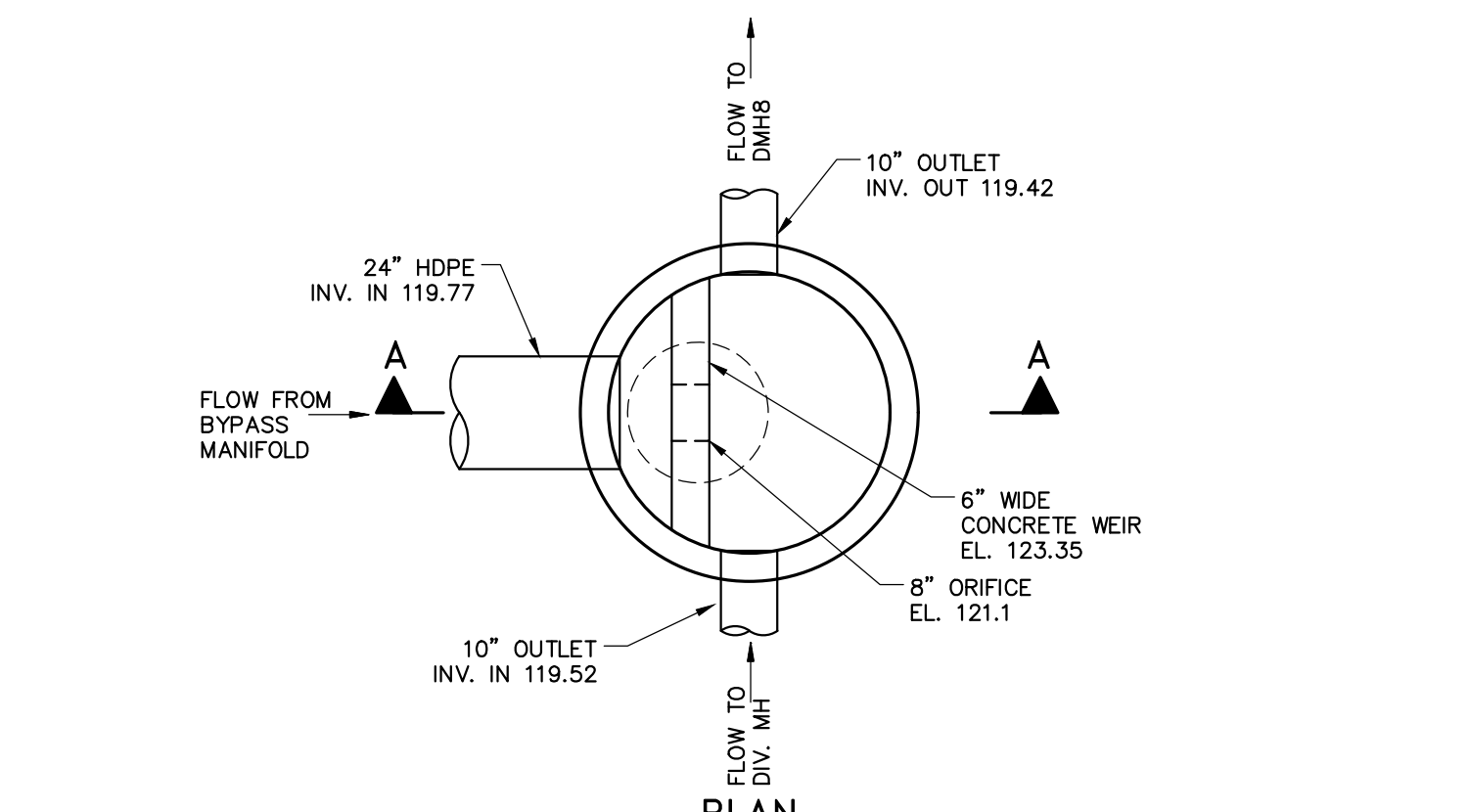
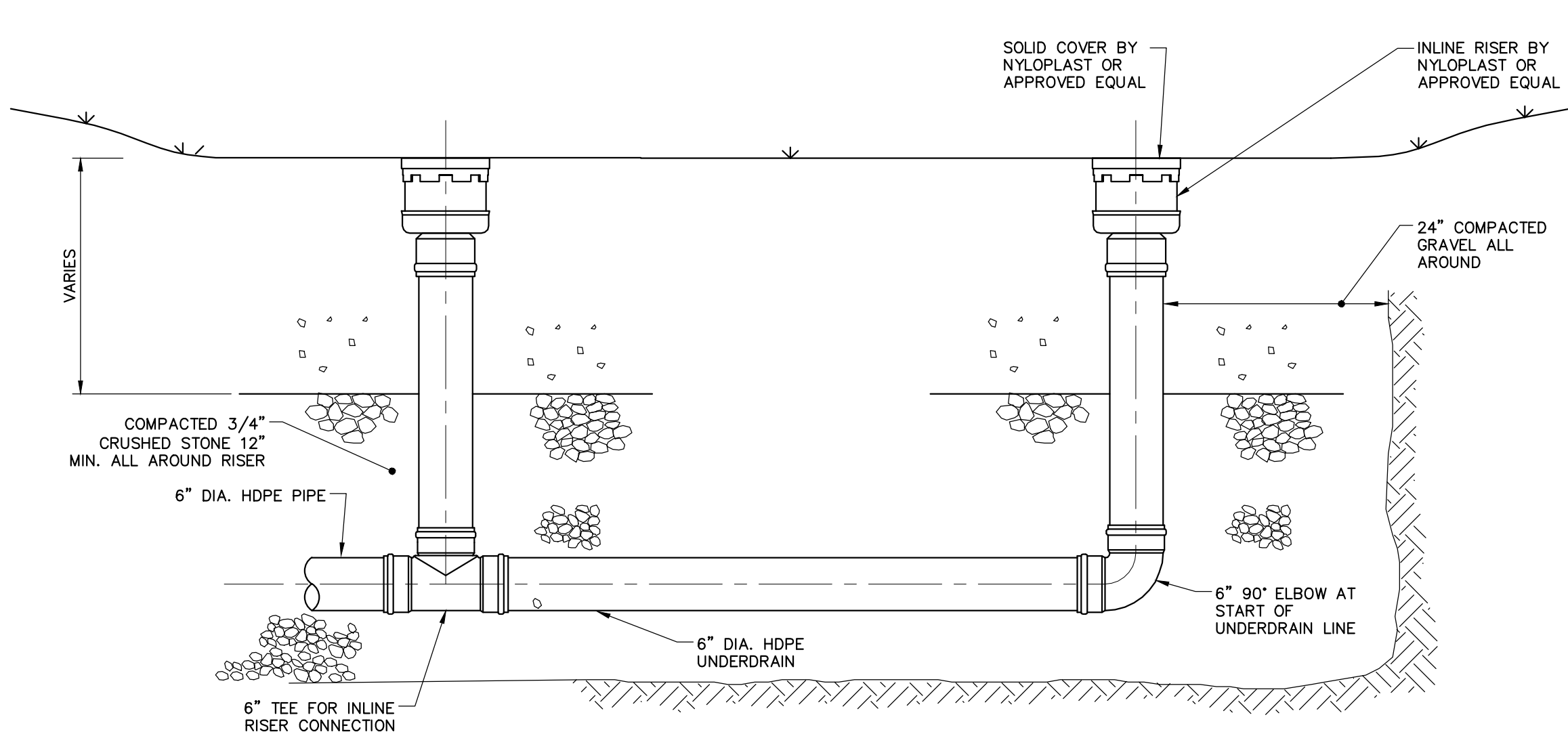


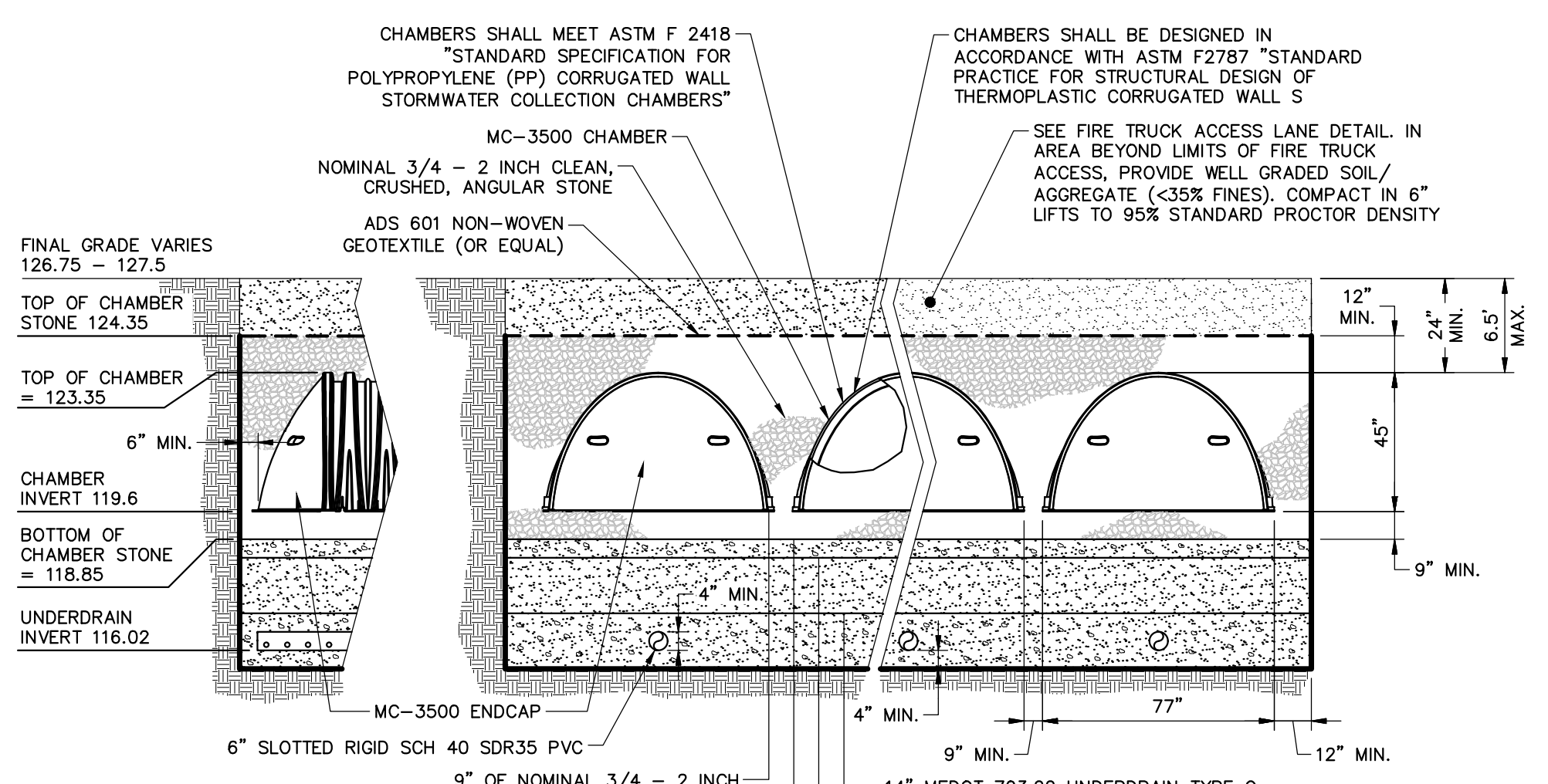
DIVERSION MANHOLE DETAIL
N.T.S.



OUTLET CONTROL STRUCTURE (OCS) DETAIL
N.T.S.

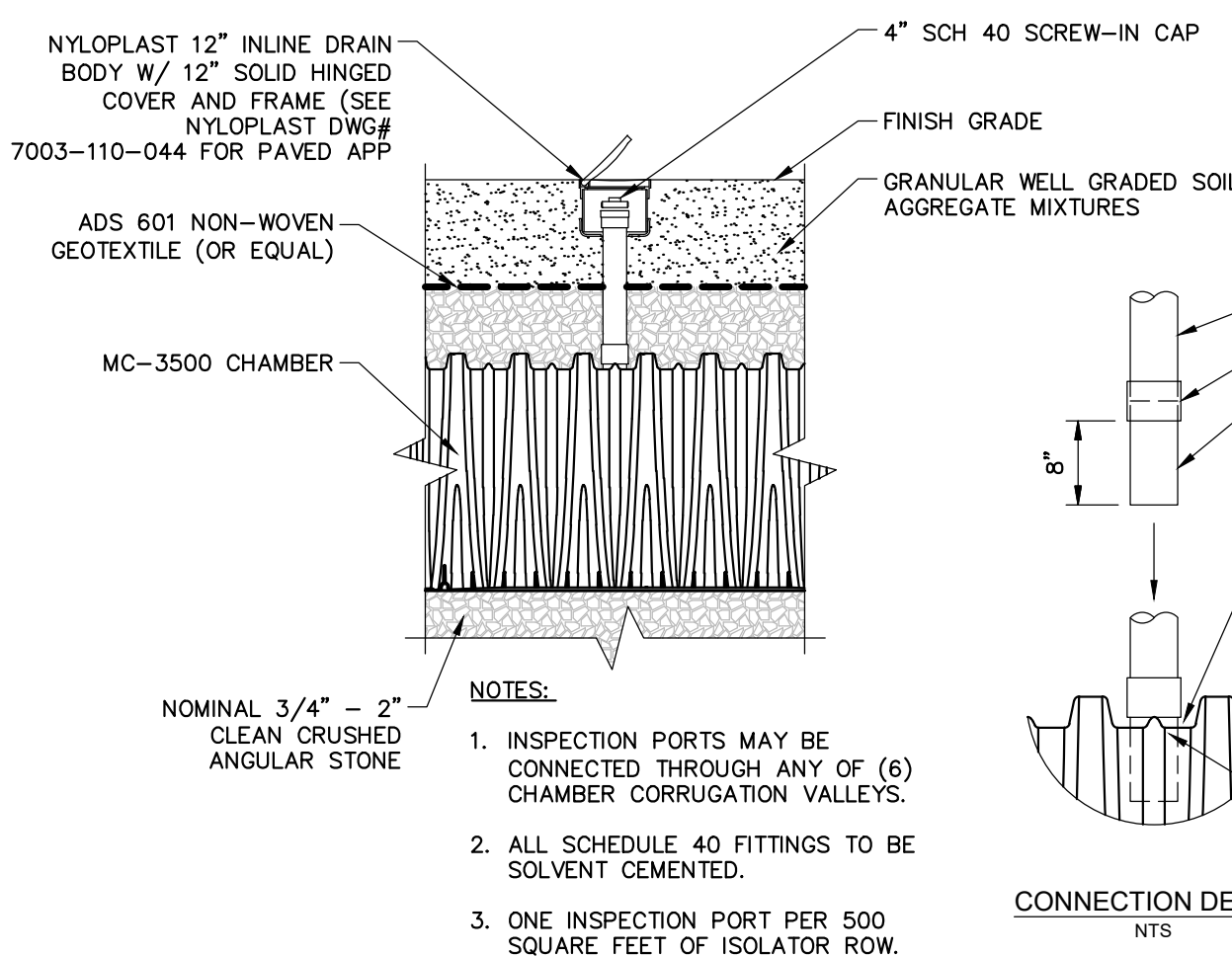


UNDERDRAIN CLEANOUT DETAIL
N.T.S.

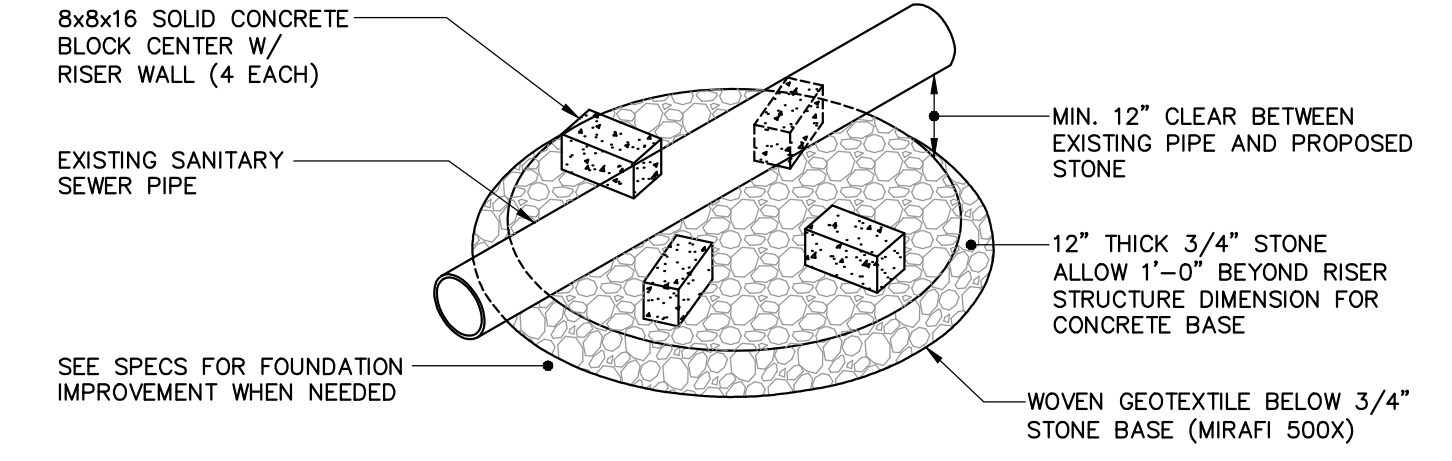


STORMTECH MC-3500 AND UNDERDRAINED SUBSURFACE SAND FILTER TYPICAL SECTION
N.T.S.

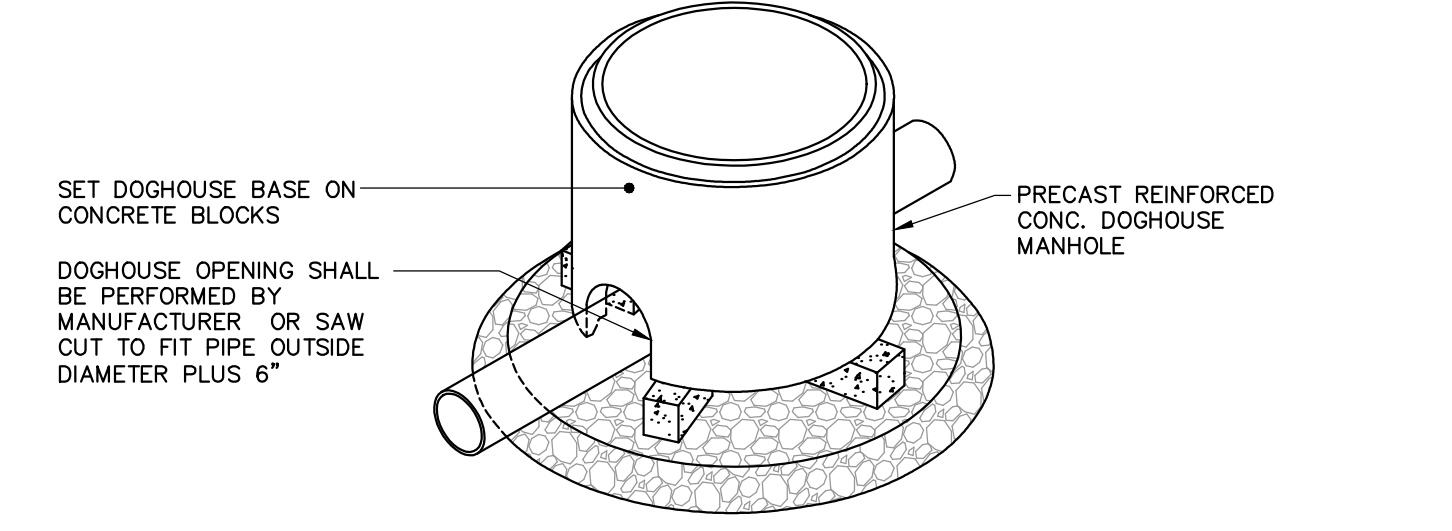
- NOTE:**
- PERIMETER STONE MUST ALWAYS BE BROUGHT UP EVENLY WITH BACKFILL OF BED. PERIMETER STONE MUST EXTEND HORIZONTALLY TO THE EXCAVATION WALL FOR BOTH STRAIGHT OR SLOPED SIDEWALLS.
 - UNDERDRAINS MUST BE PLACED AT LEAST ONE EVERY 8'.



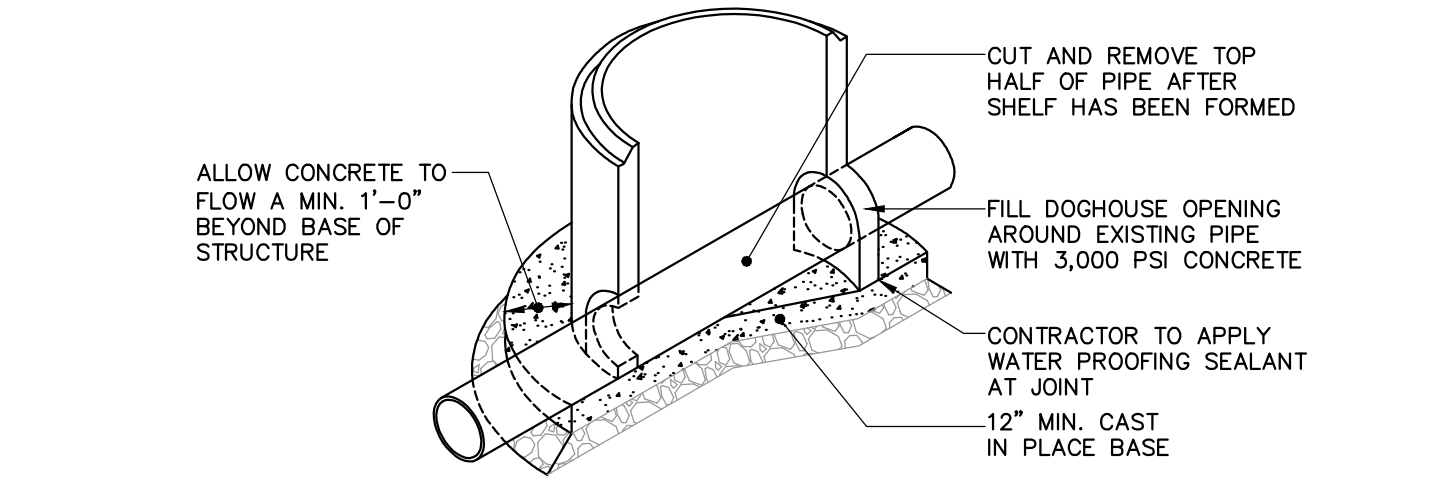
STORMTECH MC-3500 INSPECTION PORT DETAIL
N.T.S.



BASE ISOMETRIC VIEW

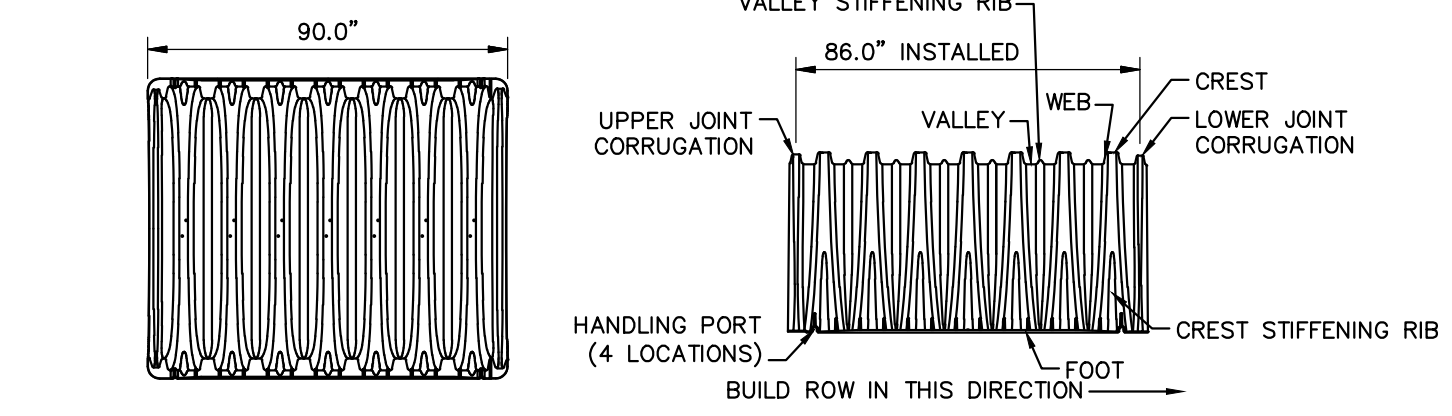


RISER ISOMETRIC VIEW



FOUNDATION SECTION VIEW

DOGHOUSE MANHOLE DETAIL
N.T.S.

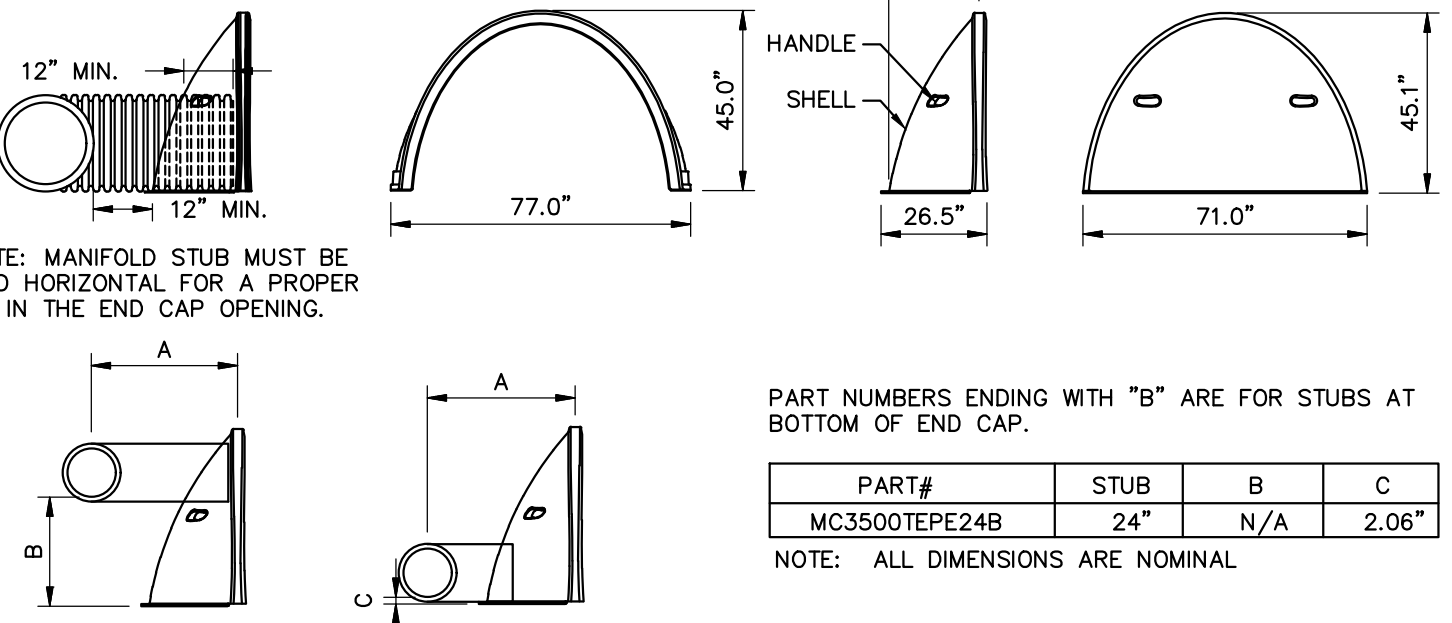


NOMINAL MC-3500 CHAMBER SPECIFICATIONS

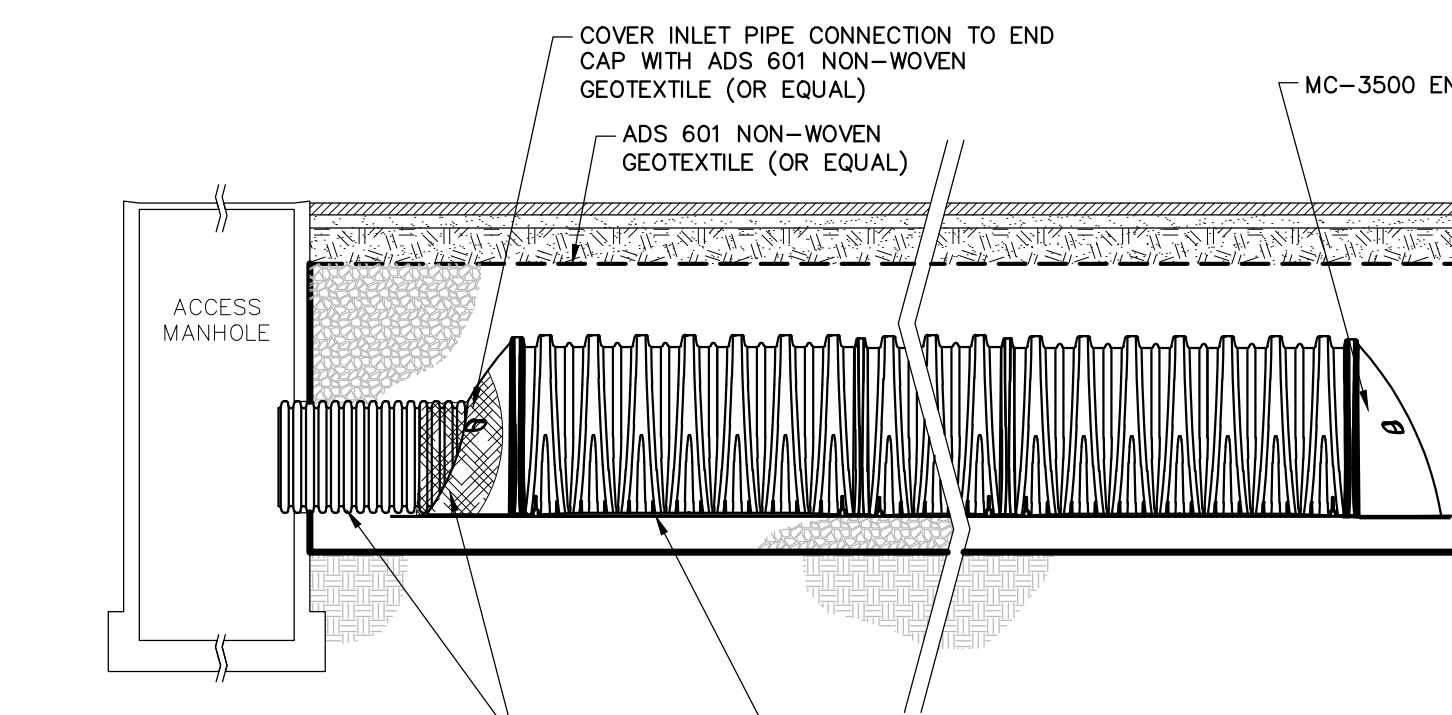
SIZE (L x W x H)	90" x 77" x 45"
CHAMBER STORAGE	109.9 ft ³
MINIMUM INSTALLED STORAGE	178.9 ft ³
WEIGHT	134 lbs.

NOMINAL MC-3500 END CAP SPECIFICATIONS

SIZE (L x W x H)	26.5" x 71" x 45.1"
ENDCAP STORAGE	15.6 ft ³
MINIMUM INSTALLED STORAGE	46.9 ft ³
WEIGHT	43 lbs.



STORMTECH MC-3500 TECHNICAL SPECIFICATIONS
N.T.S.



STORMTECH MC-3500 ISOLATOR ROW PROFILE
N.T.S.



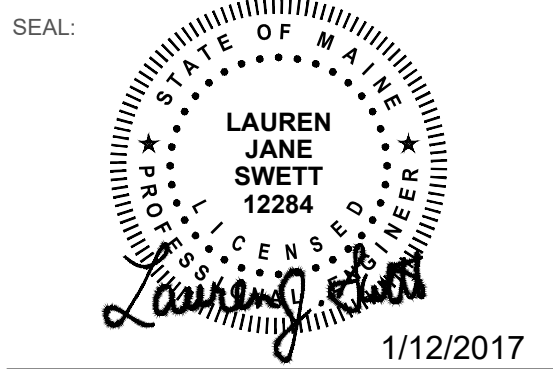
75 York Street
Portland, Maine 04101
simonsarchitects.com
207.772.4656



COMMITMENT & INTEGRITY DRIVE RESULTS

PROJECT NAME:
WAYNFLETE LOWER SCHOOL ADDITION & RENOVATIONS

WAYNFLETE SCHOOL
360 SPRING STREET
PORTLAND, MAINE 04102



THIS DRAWING IS THE PROPERTY OF SCOTT SIMONS ARCHITECTS (SSA) AND IS NOT TO BE COPIED OR REPRODUCED IN PART OR WHOLE 2015 © SCOTT SIMONS ARCHITECTS, LLC

REVISION:

NO.	DATE
1	DATE
2	DATE
3	DATE
4	DATE
5	DATE
6	DATE

DATE OF ISSUE: 12 JANUARY 2017
PROJECT NUMBER: 229423
STATUS: ISSUED FOR BID

CIVIL DETAILS - 5

D-204