

PROJECT NAME:  
**WAYNFLETE LOWER SCHOOL**  
ADDITION & RENOVATIONS

WAYNFLETE SCHOOL  
360 SPRING STREET  
PORTLAND, MAINE 04102



THIS DRAWING IS THE PROPERTY OF SCOTT SIMONS ARCHITECTS (SSA) AND IS NOT TO BE COPIED OR REPRODUCED IN PART OR WHOLE.  
2015 © SCOTT SIMONS ARCHITECTS, LLC

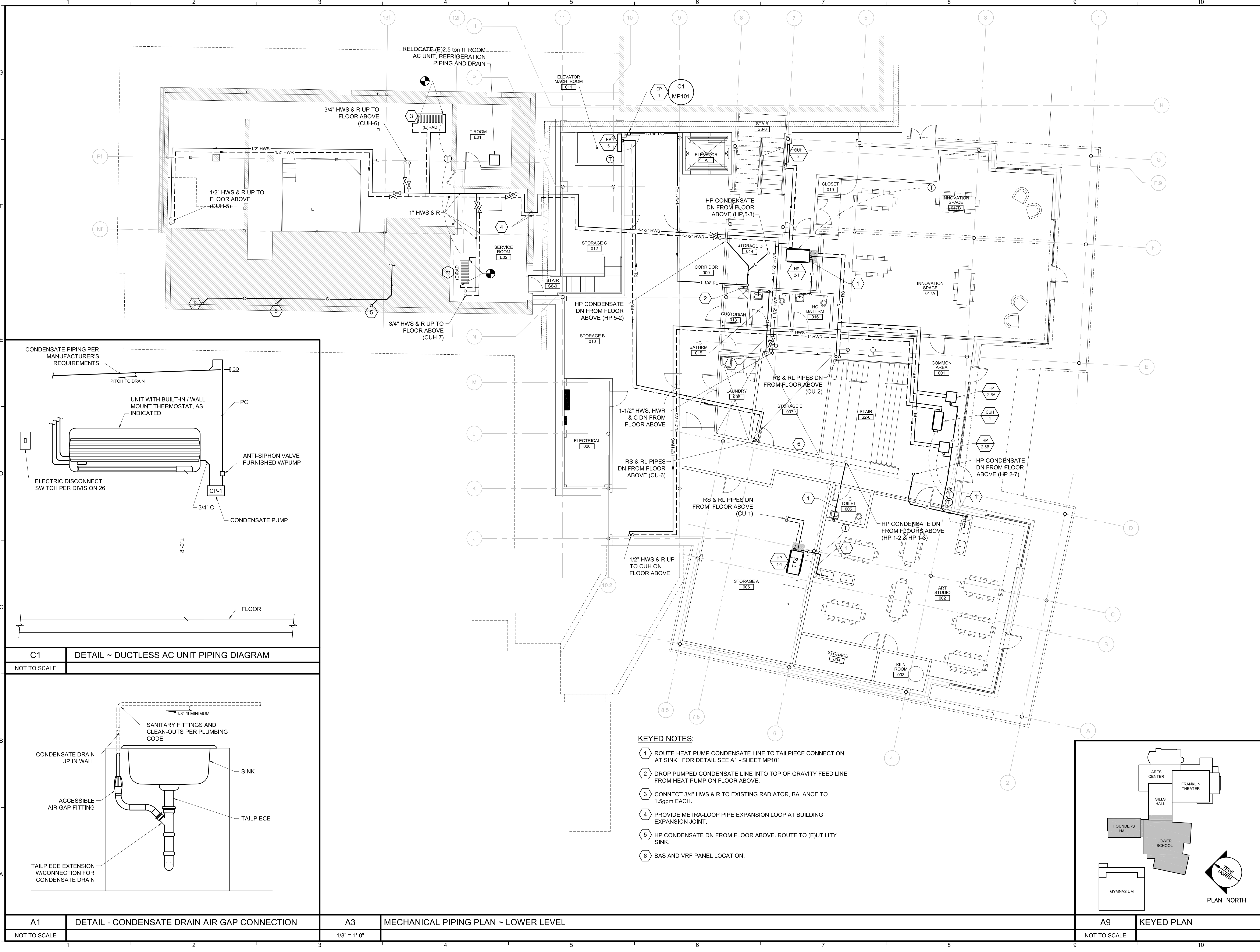
REVISION:

NO.	DATE	DATE
1		
2		
3		
4		
5		
6		

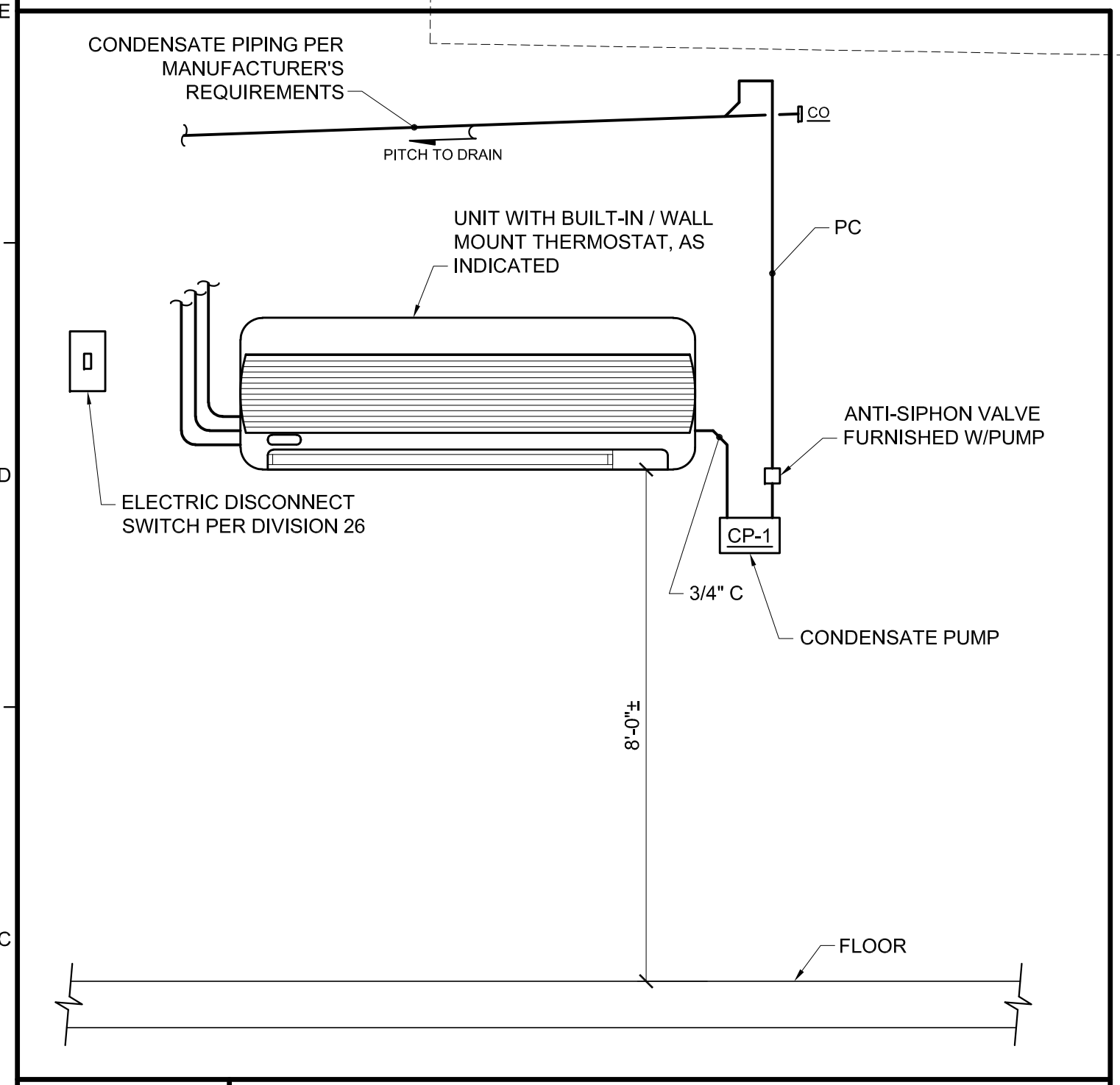
DATE OF ISSUE: 12 JANUARY 2017  
PROJECT NUMBER: 2013-0050  
STATUS: ISSUED FOR BID

**MECHANICAL PIPING PLAN ~ LOWER LEVEL**

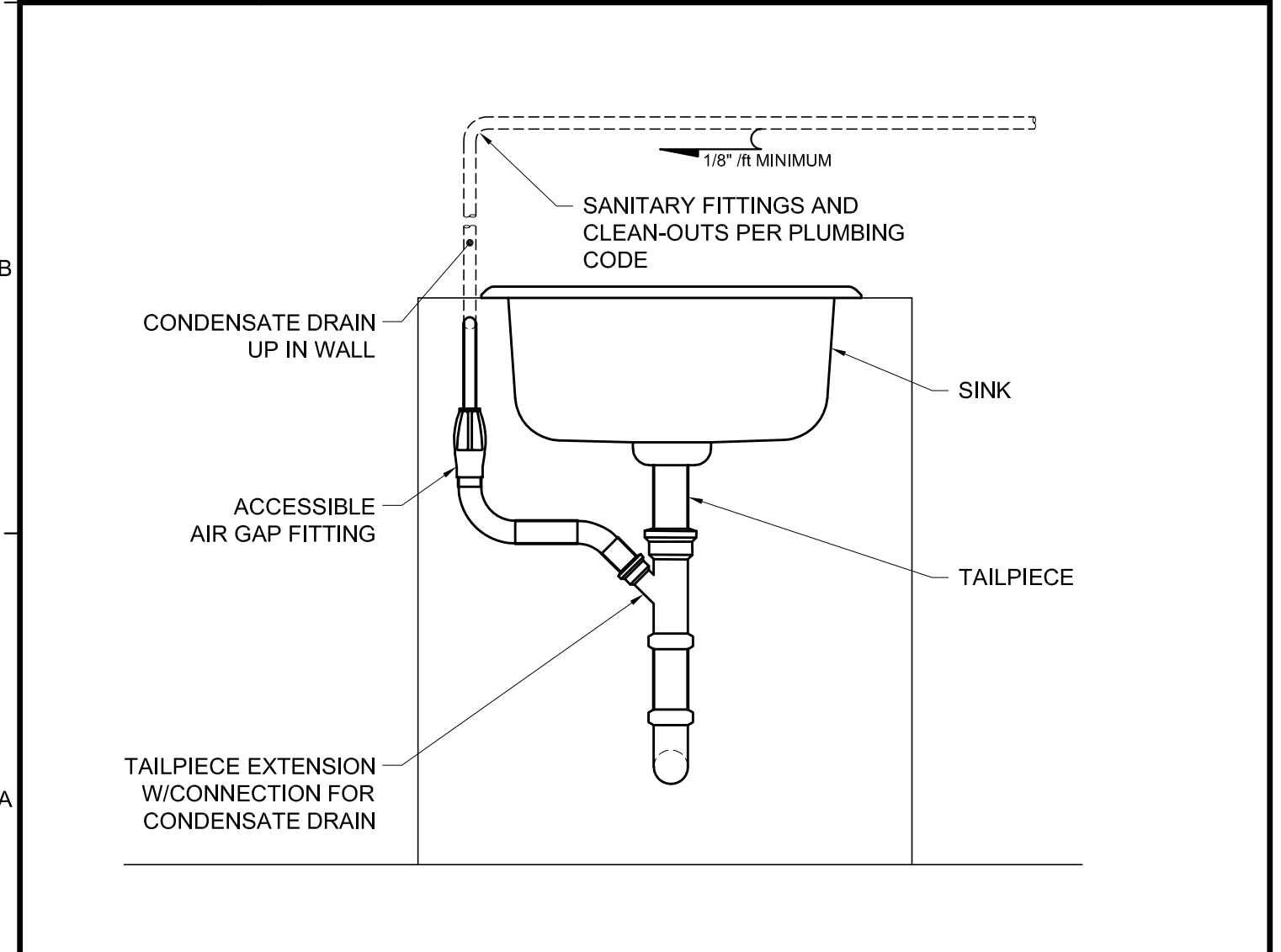
**MP101**



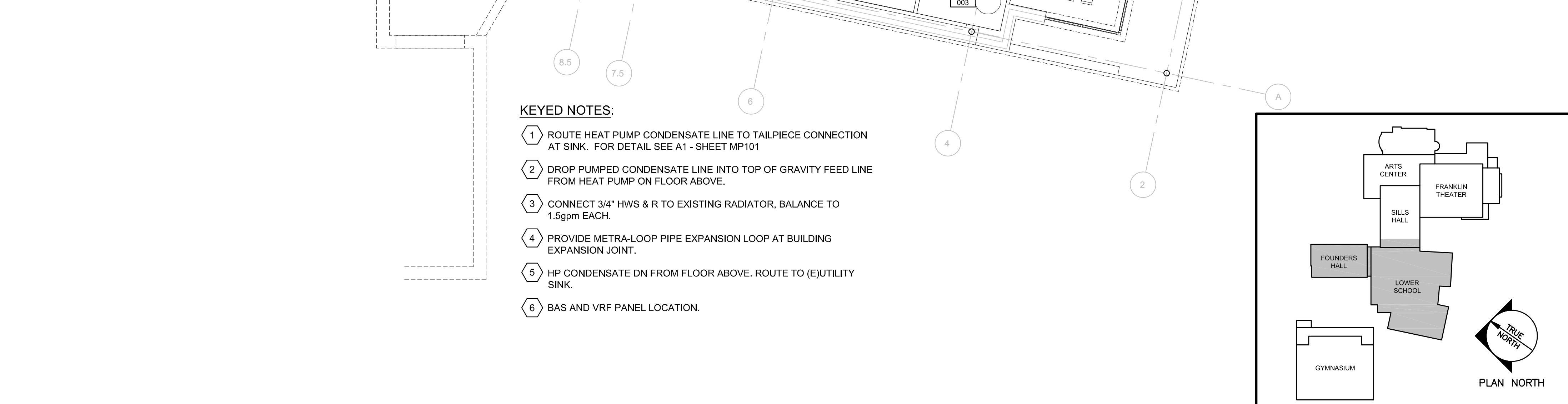
- KEYED NOTES:**
- 1 ROUTE HEAT PUMP CONDENSATE LINE TO TAILPIECE CONNECTION AT SINK. FOR DETAIL SEE A1 - SHEET MP101
  - 2 DROP PUMPED CONDENSATE LINE INTO TOP OF GRAVITY FEED LINE FROM HEAT PUMP ON FLOOR ABOVE.
  - 3 CONNECT 3/4\" HWS & R TO EXISTING RADIATOR, BALANCE TO 1.5gpm EACH.
  - 4 PROVIDE METRA-LOOP PIPE EXPANSION LOOP AT BUILDING EXPANSION JOINT.
  - 5 HP CONDENSATE DN FROM FLOOR ABOVE. ROUTE TO (E)UTILITY SINK.
  - 6 BAS AND VRF PANEL LOCATION.



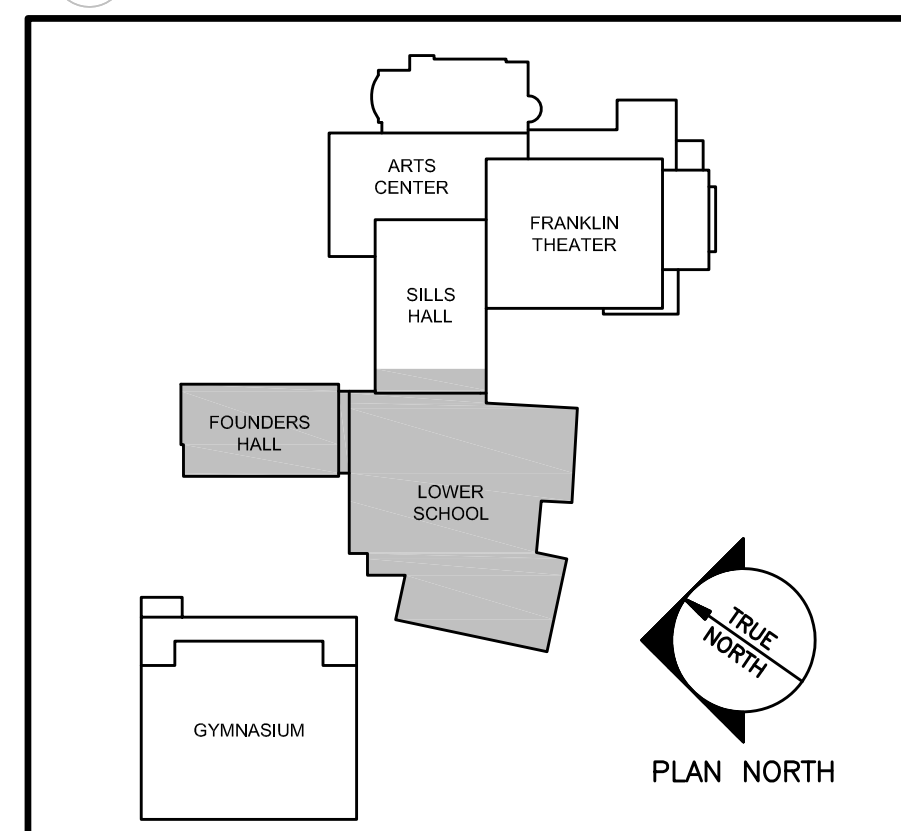
**C1** DETAIL ~ DUCTLESS AC UNIT PIPING DIAGRAM  
NOT TO SCALE



**A1** DETAIL - CONDENSATE DRAIN AIR GAP CONNECTION  
NOT TO SCALE



**A3** MECHANICAL PIPING PLAN ~ LOWER LEVEL  
1/8\"/>



**A9** KEYED PLAN  
NOT TO SCALE

N:\Projects\2015\15051 - Waynflete School\00 Drawing Files\15051M.dwg Jan 11, 2017 - 10:00am