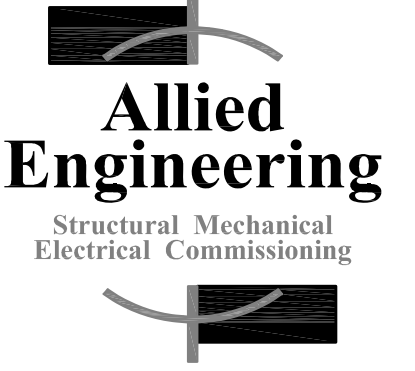




75 York Street
Portland, Maine 04101
simonsarchitects.com
207.772.4656



160 Veranda Street
Portland, Maine 04103
T: 207.221.2260
F: 207.221.2266
Web: www.allied-eng.com

Allied Project No: 15051
Cad File: 15051M.dwg

PROJECT NAME:
**WAYNFLETE
LOWER SCHOOL**
ADDITION & RENOVATIONS

WAYNFLETE SCHOOL
360 SPRING STREET
PORTLAND, MAINE 04102



THIS DRAWING IS THE PROPERTY OF SCOTT SIMONS ARCHITECTS (SSA) AND IS NOT TO BE COPIED OR REPRODUCED IN PART OR WHOLE. © 2015 SCOTT SIMONS ARCHITECTS, LLC

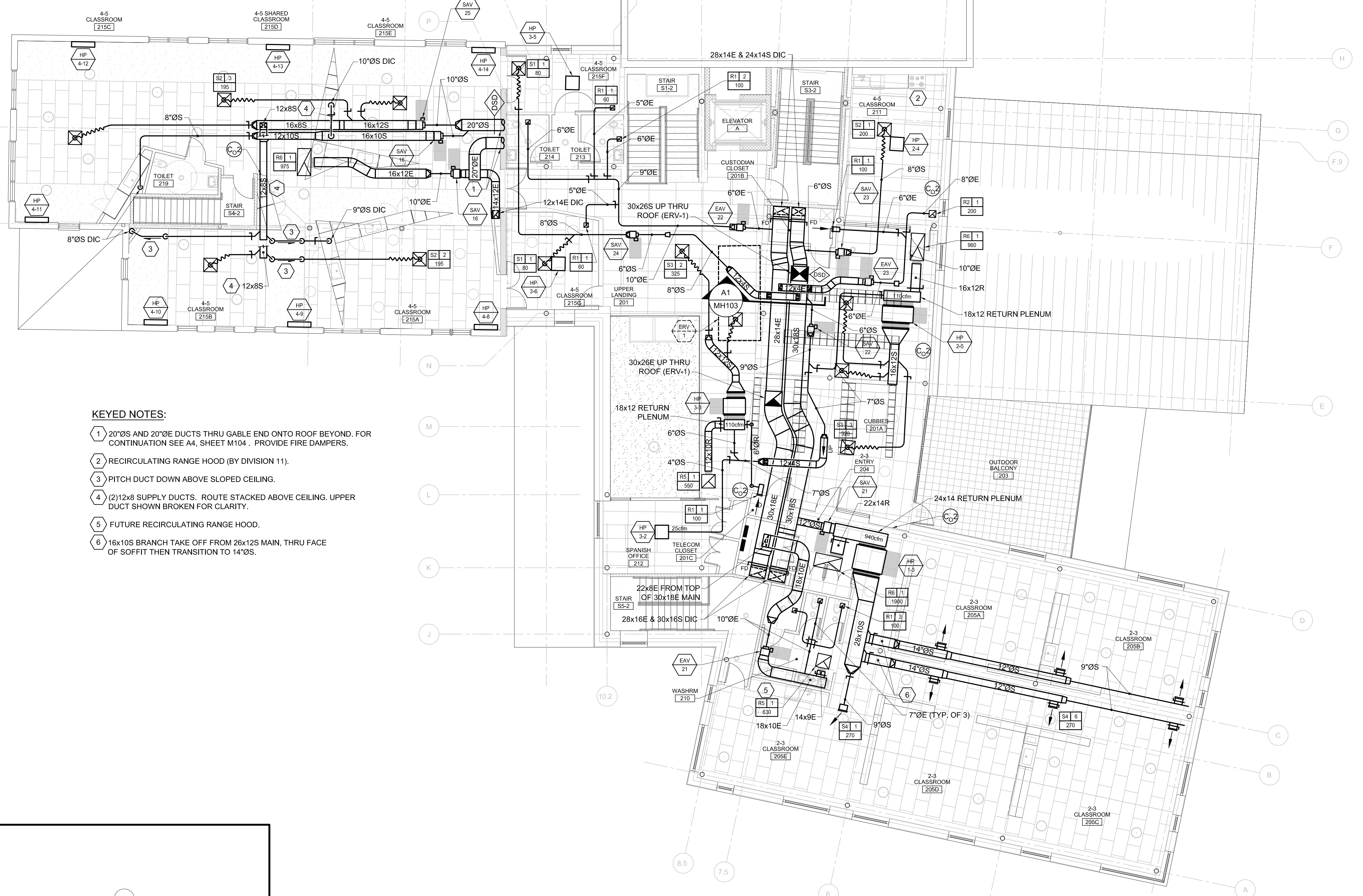
REVISION:

NO.	DATE
1	DATE
2	DATE
3	DATE
4	DATE
5	DATE
6	DATE

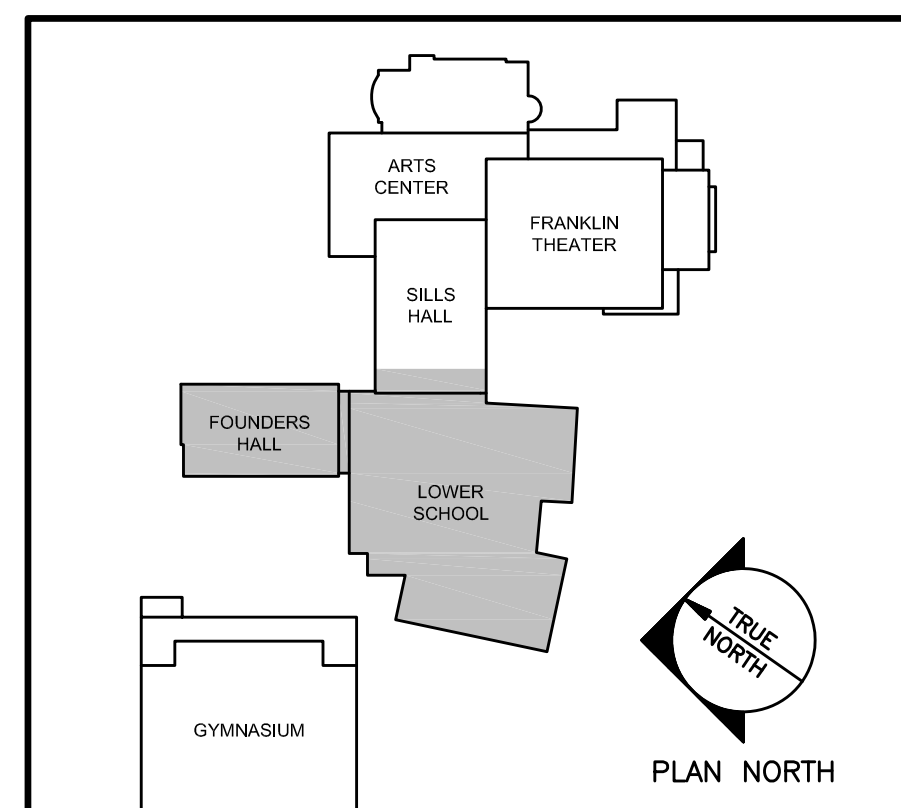
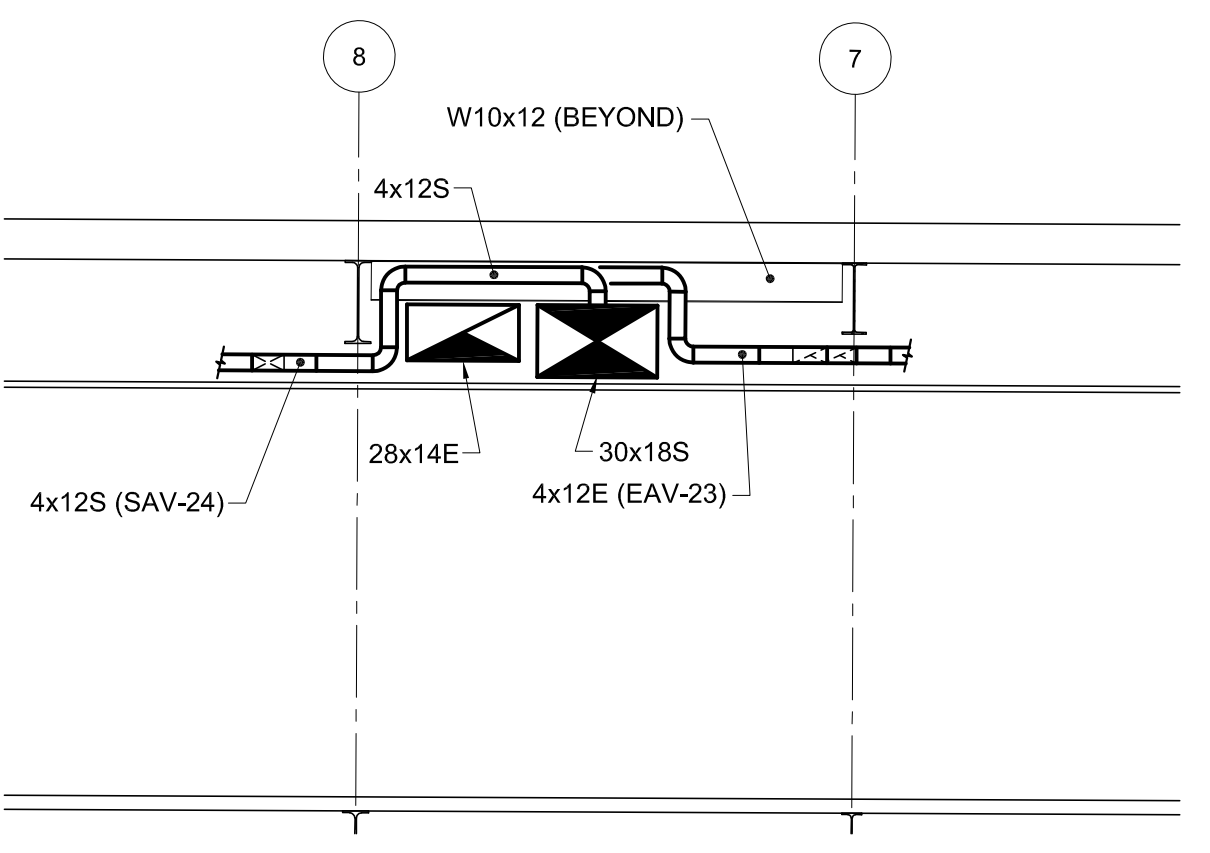
DATE OF ISSUE: 12 JANUARY 2017
PROJECT NUMBER: 2013-0050
STATUS: ISSUED FOR BID

**MECHANICAL
PLAN ~
UPPER LEVEL**

MH103



- KEYED NOTES:**
- 20"OS AND 20"OE DUCTS THRU GABLE END ONTO ROOF BEYOND. FOR CONTINUATION SEE A4, SHEET M104. PROVIDE FIRE DAMPERS.
 - RECIRCULATING RANGE HOOD (BY DIVISION 11).
 - PITCH DUCT DOWN ABOVE SLOPED CEILING.
 - (2)12x8 SUPPLY DUCTS. ROUTE STACKED ABOVE CEILING. UPPER DUCT SHOWN BROKEN FOR CLARITY.
 - FUTURE RECIRCULATING RANGE HOOD.
 - 16x10S BRANCH TAKE OFF FROM 26x12S MAIN, THRU FACE OF SOFFIT THEN TRANSITION TO 14"OS.



N:\Projects\2015\15051 - Waynflete School\00 Drawing Files\15051M.dwg Jan 11, 2017 - 9:59am

A1 DETAIL ~ SECTION THRU UPPER LEVEL DUCT MAINS
1/4" = 1'-0"

A3 MECHANICAL PLAN ~ UPPER LEVEL
1/8" = 1'-0"

A9 KEYED PLAN
NOT TO SCALE