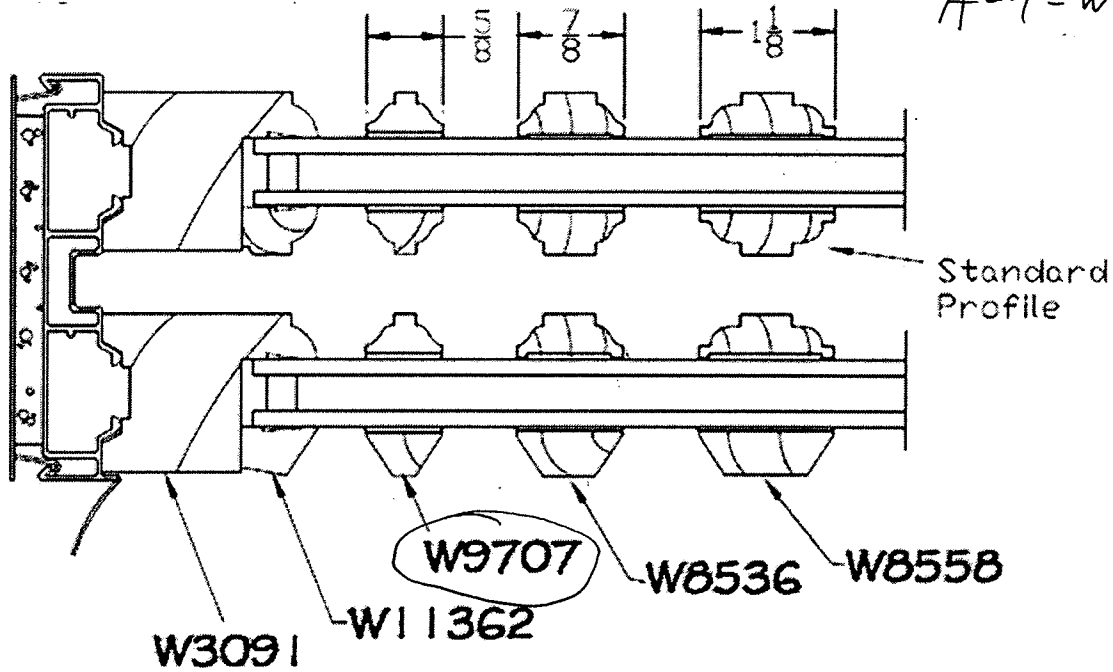


44 Orchard St - Window Replacement
A-9 - Window Details - Wood

WDH TILT PAC



It's the W9707 SDL bar & W11362 glazing bead that we would use.

And here is what I have for a cross section. Keep in mind the changes we make are NOT reflected in these sections.