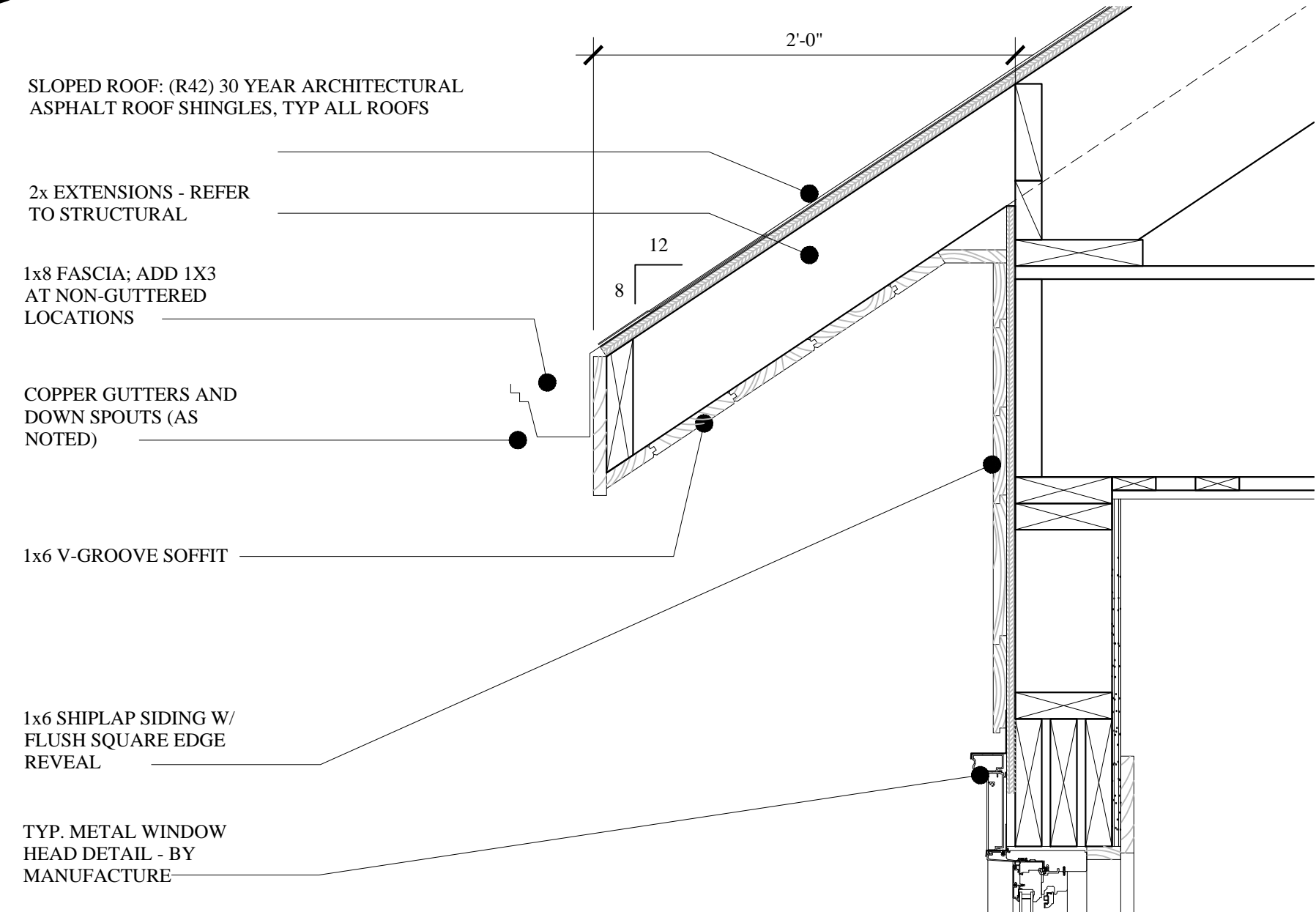
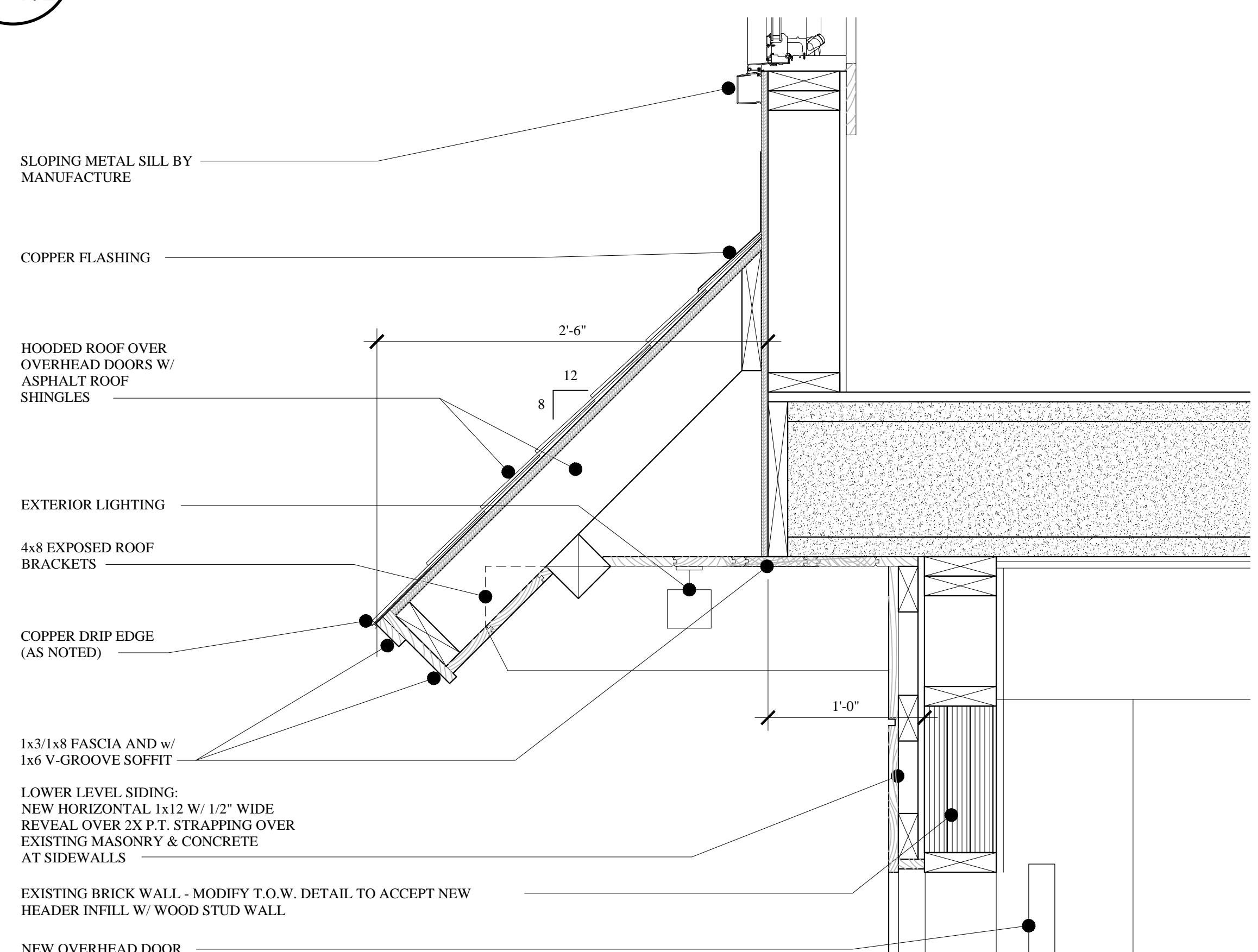


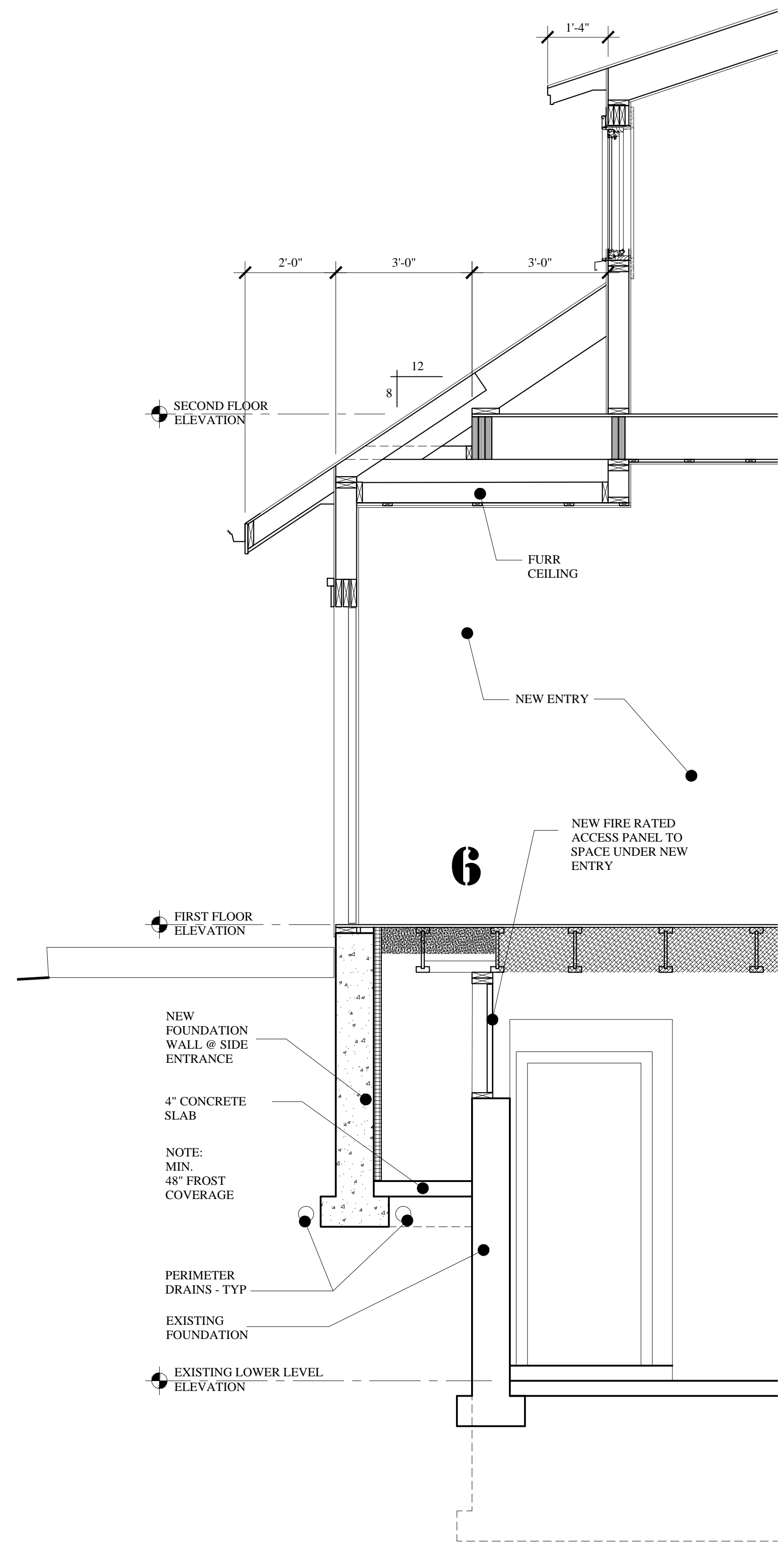
D1
A-4.1 **DORMER ROOF DETAIL**
SCALE: 1 1/2"=1'-0"



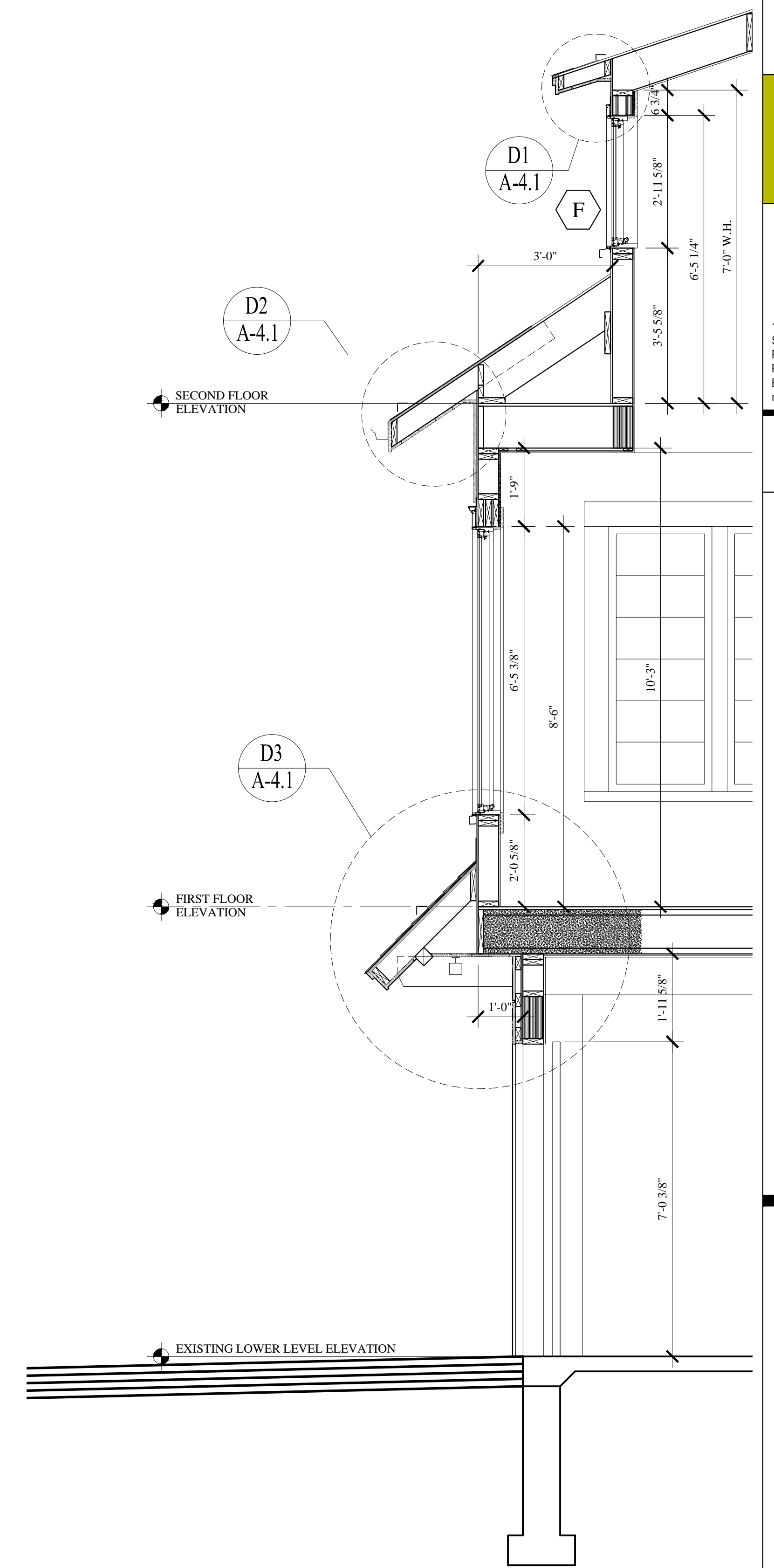
D2
A-4.1 **MAIN ROOF FASCIA DETAIL**
SCALE: 1 1/2"=1'-0"



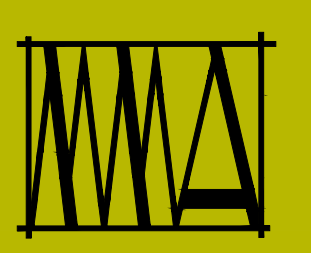
D3
A-4.1 **GARAGE HOOD DETAIL**
SCALE: 1 1/2"=1'-0"



W2
A-4.1 **WALL SECTION**
SCALE: 1/2"=1'-0"



W1
A-4.1 **WALL SECTION**
SCALE: 1/2"=1'-0"



**MARK
MUELLER
ARCHITECTS**
A.I.A.
100 Commercial Street
Suite 205
Portland, Maine 04101
Phone: 207.774.9057
Email:
rfi@muellerarchitects.com

© COPYRIGHT 2014
MARK MUELLER ARCHITECTS

ANSEL RESIDENCE

11 ORCHARD STREET
PORTLAND, MAINE 04102

WALL DETAILS

REVISIONS	DATE
	01.7.2015
PROJECT	ANSEL RESIDENCE
DRAWN BY	M.M./T.O.
CHECK BY	M.M.

REVISED: JUNE 11, 2015
BUILDING PERMIT: FEBRUARY 20, 2015

A-4.1