



Date: 10/29/15

**HISTORIC PRESERVATION  
APPLICATION FOR CERTIFICATE OF APPROPRIATENESS**

Pursuant to review under the City of Portland's Historic Preservation Ordinance (Chapter 14, Article IX of the Portland City Code), application is hereby made for a Certificate of Appropriateness for the following work on the specified historic property:

**PROJECT ADDRESS:**

392 Spring Street, Portland, Maine

**CHART/BLOCK/LOT:** \_\_\_\_\_ (for staff use only)

**PROJECT DESCRIPTION:** Describe below each major component of your project. Describe how the proposed work will impact existing architectural features and/or building materials. If more space is needed, continue on a separate page. Attach drawings, photographs and/or specifications as necessary to fully illustrate your project—see following page for suggested attachments.

The enclosed project will include the following:

- 1) Moving the granite steps that come off the sidewalk on Spring approx. 24 feet to the West.
- 2) Installation of new brick sidewalk leading to newly installed steps and continuing Southerly to connect to a newly installed entrance.
- 3) The walkways and terrace area are to be comprised of an Old Port or Water Struck Brick that is sympathetic to the historic nature of the present dwelling and neighborhood.
- 4) At one location in the front entry walk and surrounding the rear garden terrace we are proposing cobble stone dots approx. 4" x 4" as a coping surround
- 5) All steps indicated in the plan will be Swenson New Hampshire granite with the exception of the newly constructed front entry steps and back deck steps.
- 6) A small stone retaining wall approx. 28 inches in height and 40 feet in length to be installed to delineate the front landscape from the rear landscape. This wall is also important as it cleanly delineates the grade change from the front and back yard
- 7) we are proposing a grade change of approx. 17 inches higher in both the front and back landscape. The present grades are extremely low and are not compatible in relationship to the house and proposed landscape
- 8) elimination of the present wooden entry porch with the addition of a new porch coming directly off the front entrance. Presently the existing porch looks and feels much like a back entrance and is not sympathetic to the majesty of this historic home. All rail details will be done in classical colonial revival detail that is present in other homes on the West End.
- 9) Alteration and expansion of the back deck as shown on attached landscape plan
- 10) Elimination of existing plantings which cover a good deal of the house from the road
- 11) installation new plantings that reveal the house from the road and enhance the architecture of the home.
- 12) Installation new service entrance walk off the back driveway leading to the rear entrance of the home
- 13) installation evergreen screening around perimeter of the property for privacy purposes

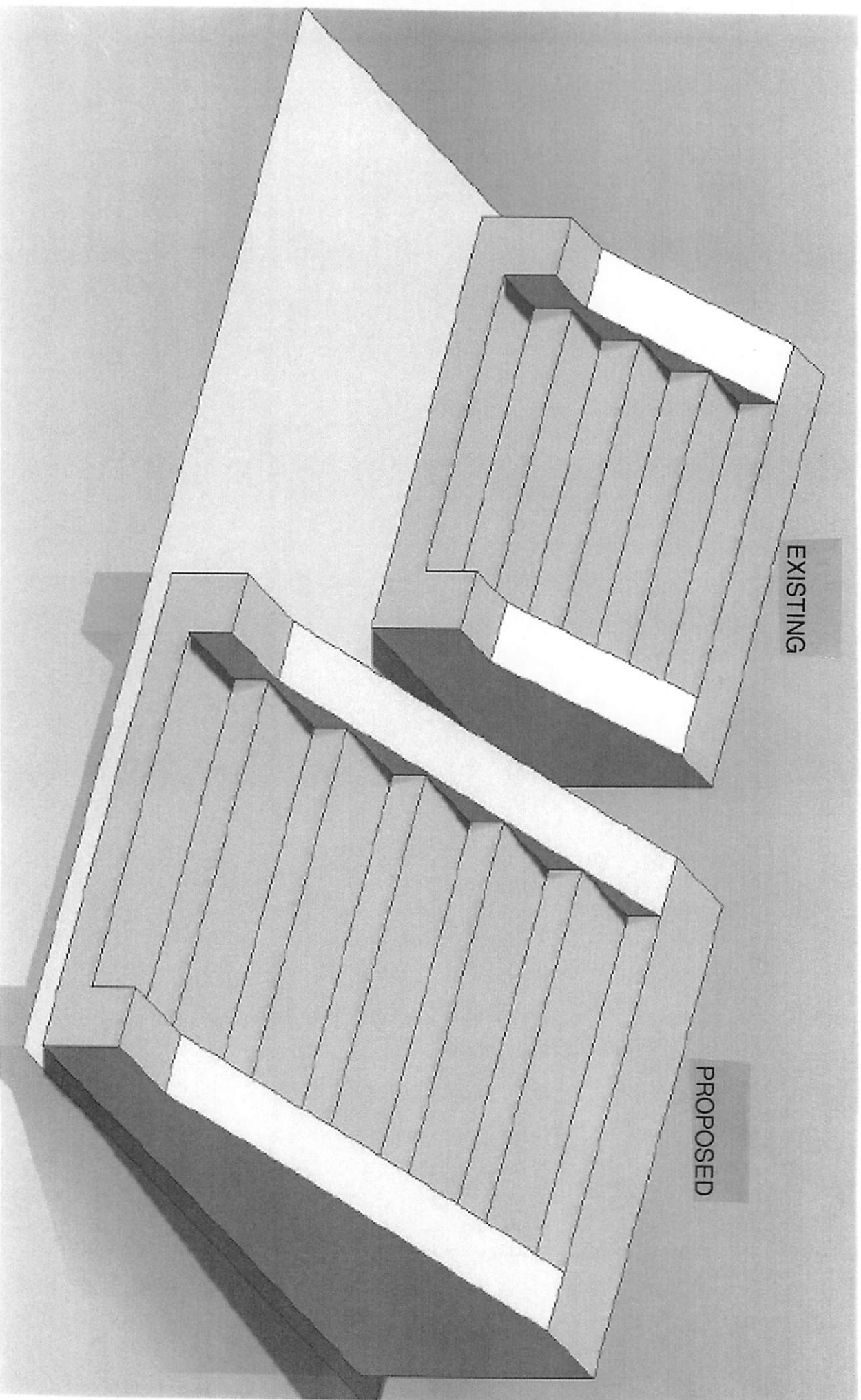
EXISTING GRANITE STEPS



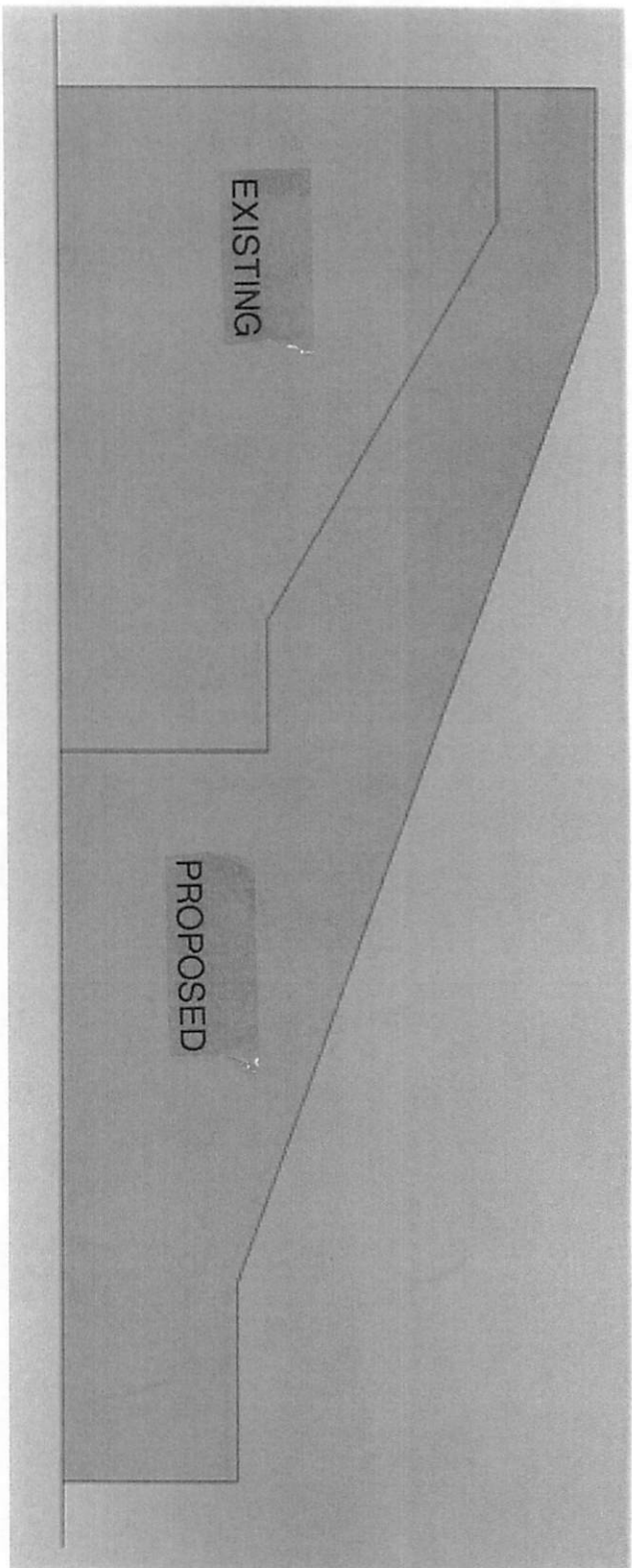
# ISOMETRIC VIEW

EXISTING

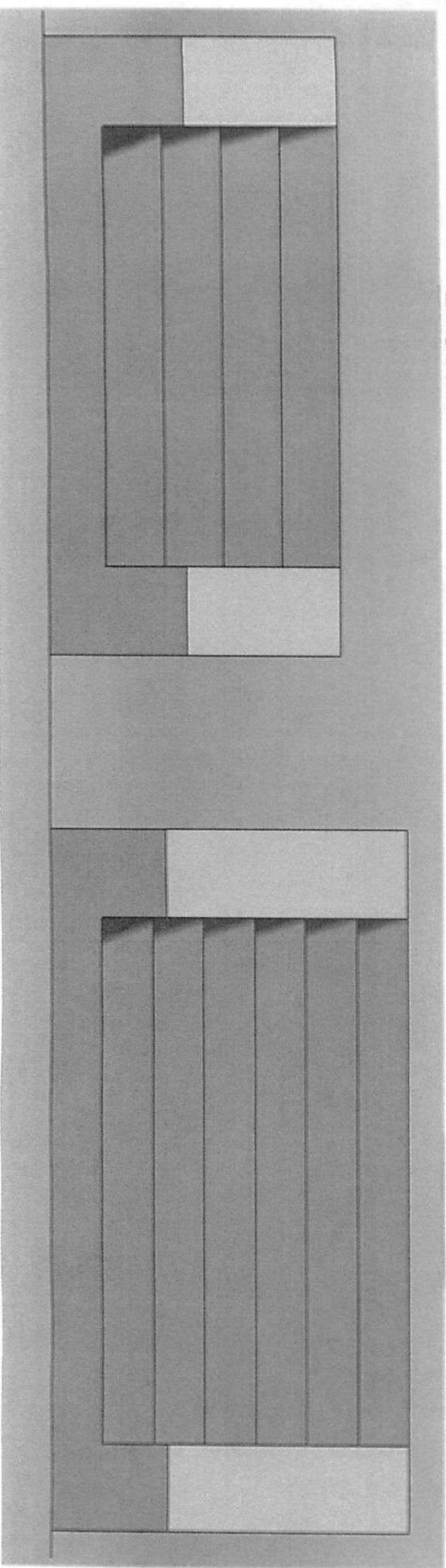
PROPOSED

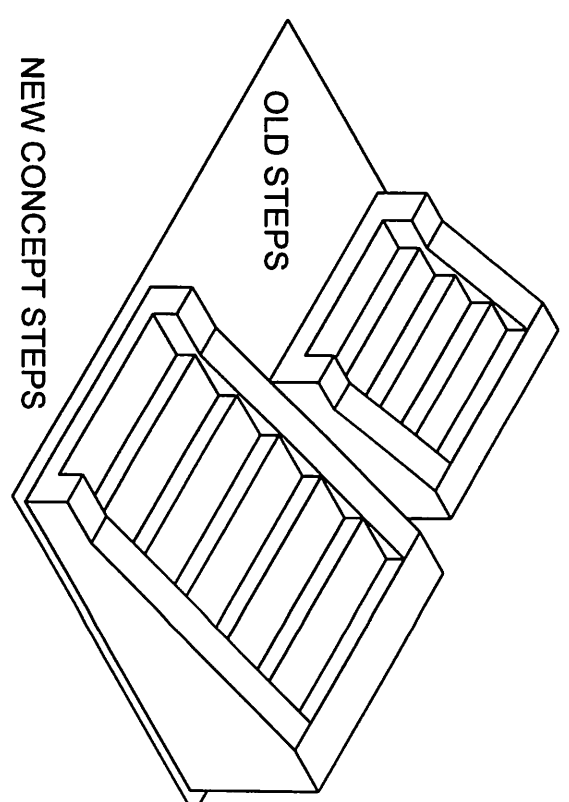
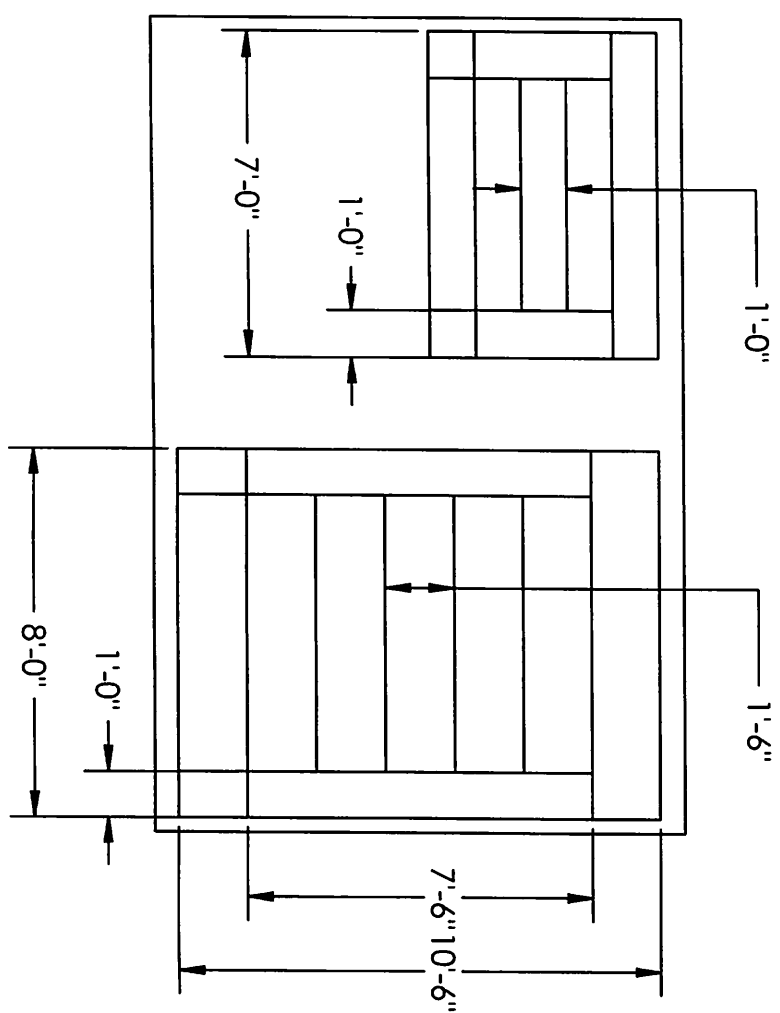
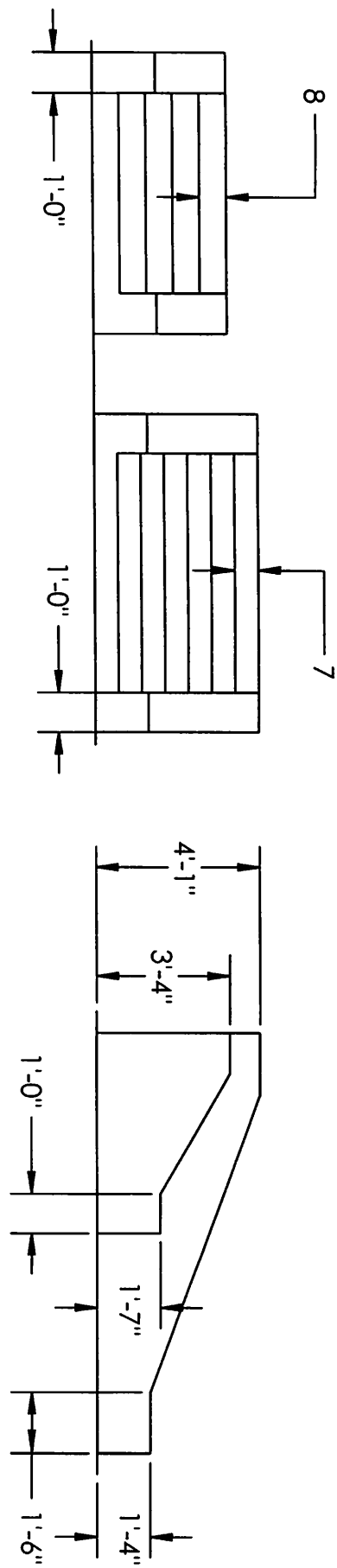


### SIDE VIEW



### FRONT VIEW





Steps

SCALE: 1:96

5 4 3 2 1