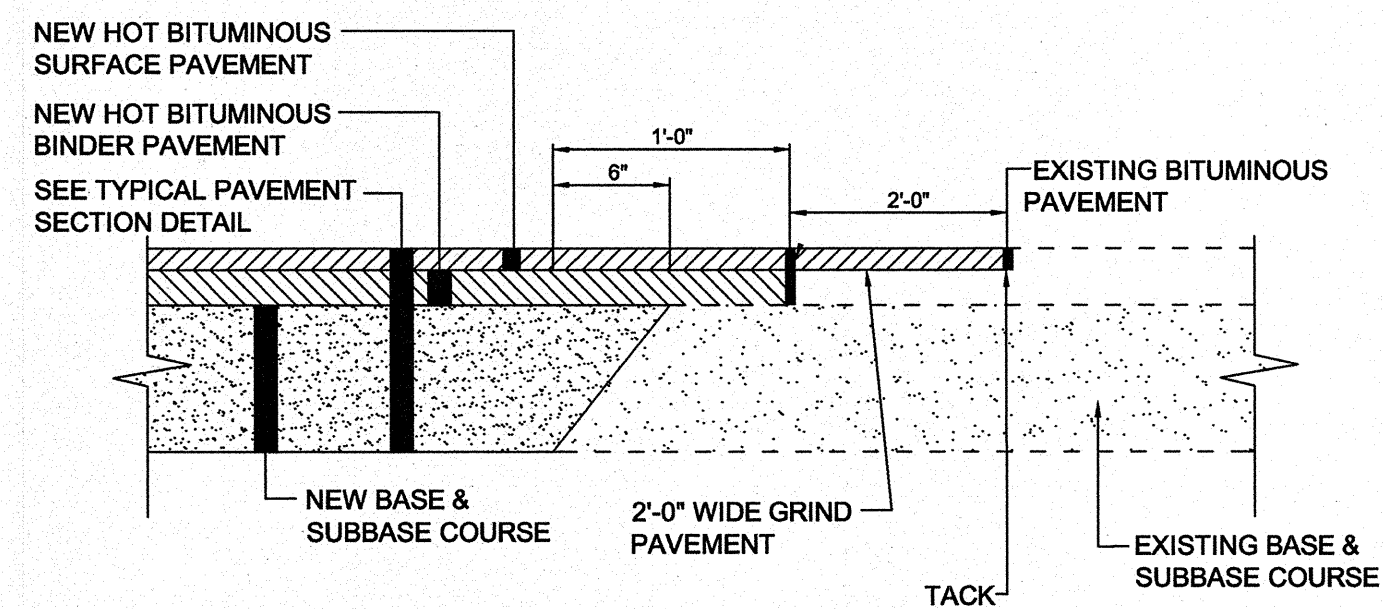


NOTES:

1. APPLY TACK COAT BETWEEN BINDER AND SURFACE COURSES.
2. ALL MATERIALS SHALL CONFORM TO MDOT SPECIFICATIONS, LATEST REVISION. COMPACTION OF ALL MATERIALS TO BE IN ACCORDANCE WITH THE SPECIFICATIONS AND THE GEOTECHNICAL RECOMMENDATIONS.

HEAVY DUTY BITUMINOUS CONCRETE PAVEMENT SECTION

(A) N.T.S.

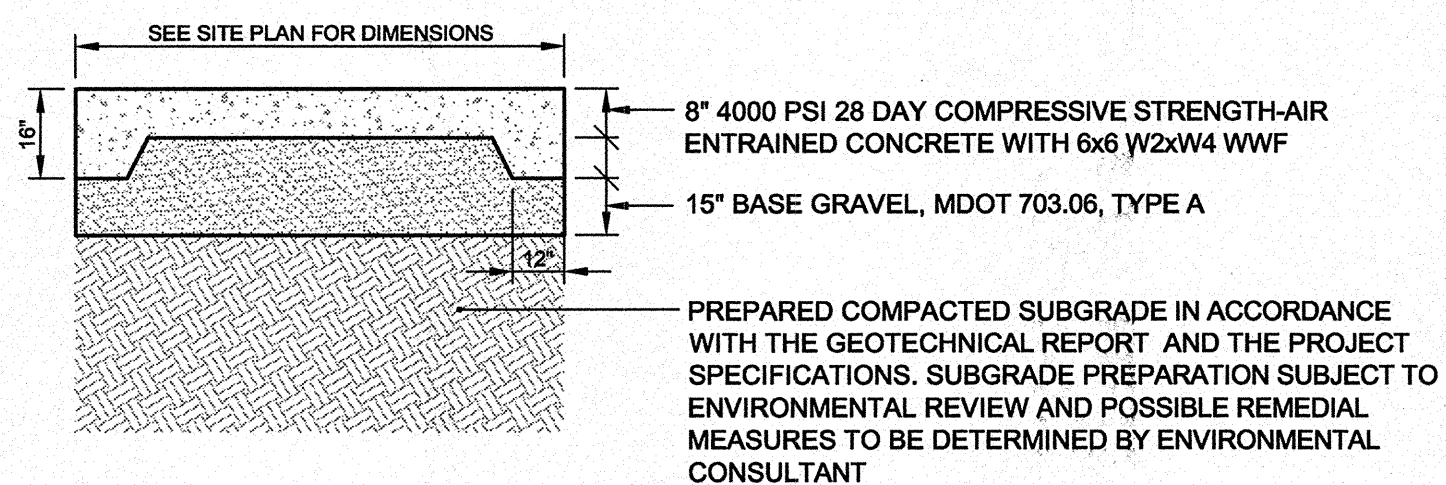


NOTES:

1. USE THIS DETAIL FOR THE RADIUS FILLET AT THE DRIVEWAY ENTRANCE TO THE PUBLIC STREETS OR TO MATCH PARKING LOT/DRIVE PAVEMENTS WHERE WIDENING OF EXISTING PAVEMENT AREA IS REQUIRED.
2. WHERE SURFACE PAVEMENT HAS NOT BEEN INSTALLED THE 2'-0" WIDE GRIND IS NOT REQUIRED.

PAVEMENT SAWCUT SECTION

(D) N.T.S.



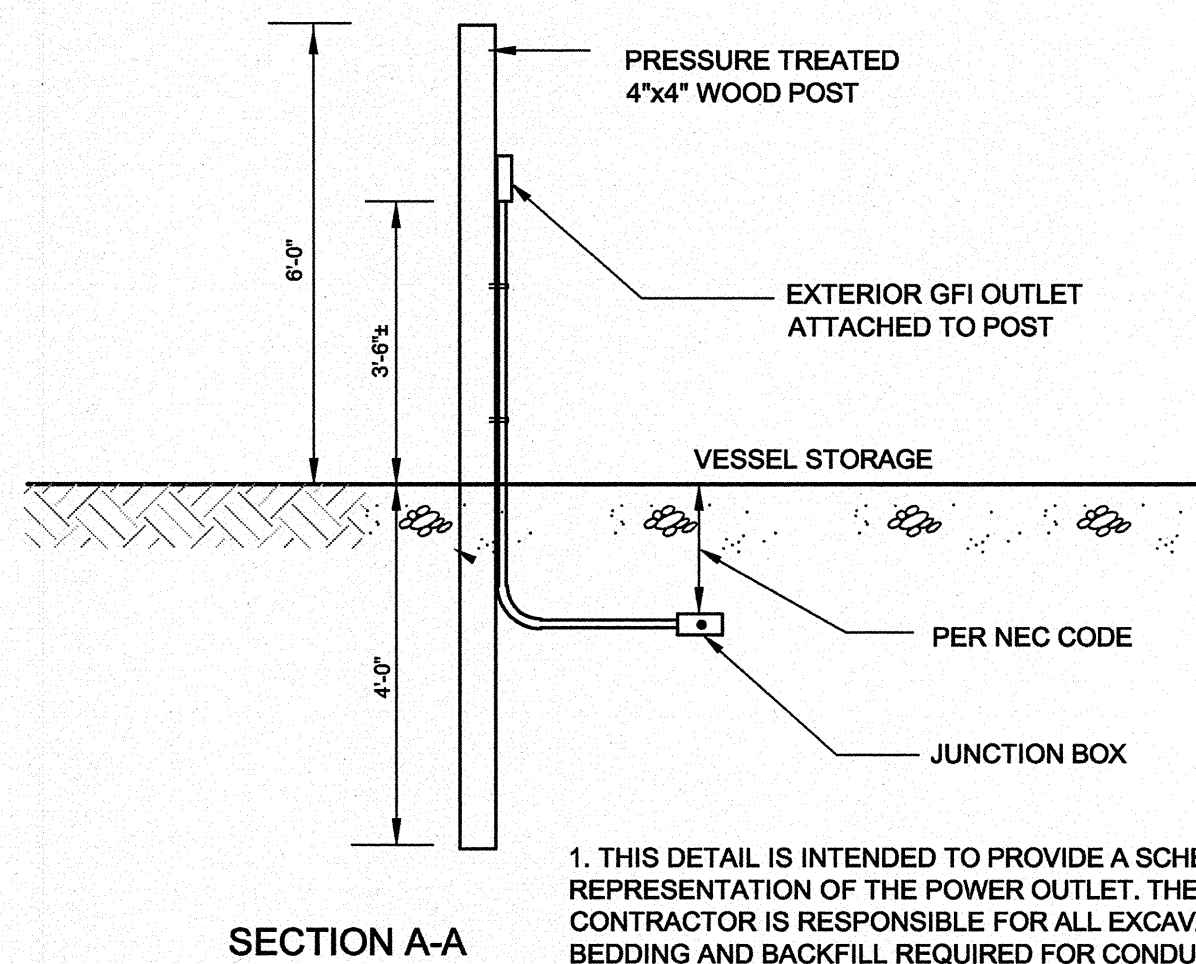
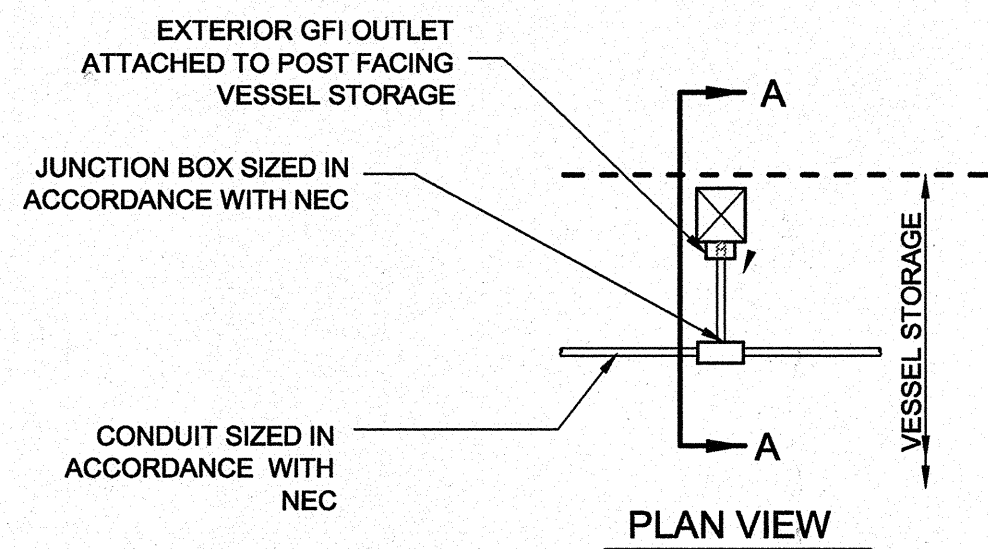
NOTE:

ALL MATERIALS SHALL CONFORM TO MDOT SPECIFICATIONS, LATEST REVISION. COMPACTION OF ALL MATERIALS TO BE IN ACCORDANCE WITH THE SPECIFICATIONS AND THE GEOTECHNICAL REPORT. (PENDING)

*DUMPSTER PAD AREAS AND WHERE RCCP (REINFORCED CONCRETE PAVEMENT) IS NOTED ON SITE PLAN.

PORTLAND CEMENT CONCRETE SECTION FOR WASHDOWN AREAS

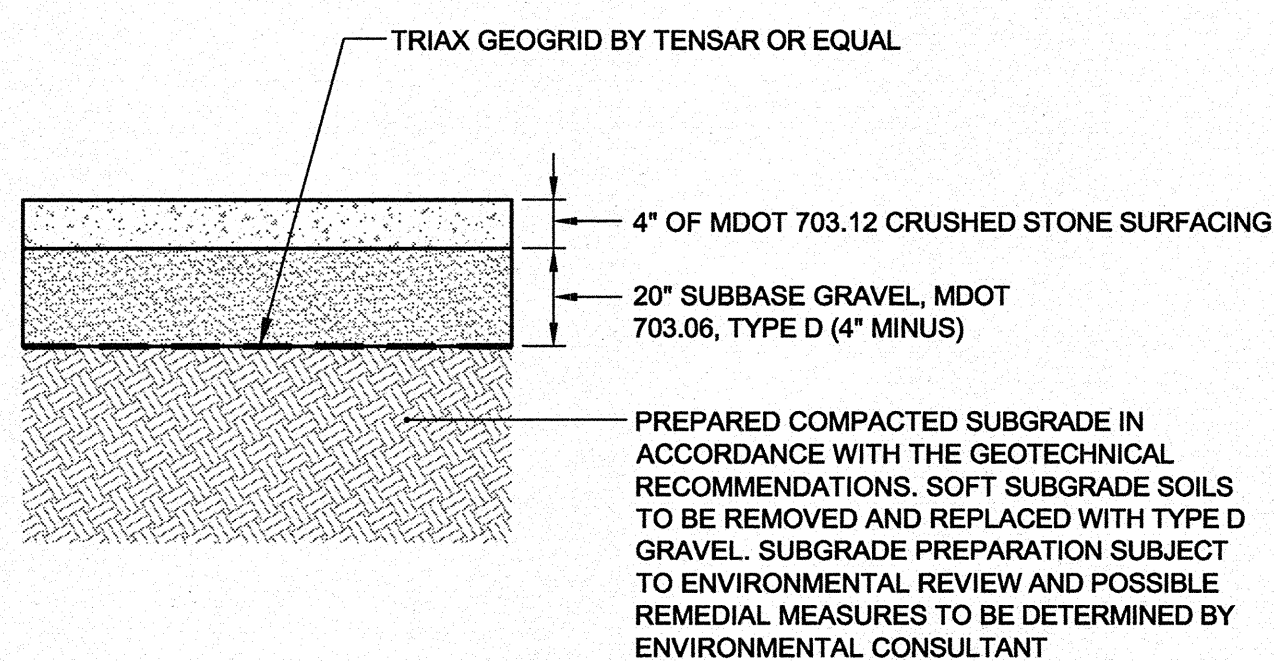
(B) N.T.S.



1. THIS DETAIL IS INTENDED TO PROVIDE A SCHEMATIC REPRESENTATION OF THE POWER OUTLET. THE CONTRACTOR IS RESPONSIBLE FOR ALL EXCAVATION BEDDING AND BACKFILL REQUIRED FOR CONDUIT INSTALLATION. THE CONTRACTOR SHALL ALSO EXCAVATE AND BACKFILL FOR PRESSURE TREATED POST FOR THE POWER OUTLET. ADDITIONAL PANEL BOARD SHUT OFFS AND SUB PANELS MAY BE PROVIDED BY THE OWNER AS NECESSARY.

POWER OUTLET DETAIL

(E) N.T.S.



NOTES:

ALL MATERIALS SHALL CONFORM TO MDOT SPECIFICATIONS, LATEST REVISION. COMPACTION OF ALL MATERIALS TO BE IN ACCORDANCE WITH THE SPECIFICATIONS AND GEOTECHNICAL RECOMMENDATIONS.

BOAT YARD SURFACE SECTION

(C) N.T.S.

REV	DATE	DESCRIPTION
3	12.05.12	REVISED AND RESUBMITTED TO CITY
2	10.31.12	FINAL SITE PLAN APPLICATION SUBMISSION
1	08.21.12	PRELIMINARY APPLICATION TO CITY OF PORTLAND

STATE OF MAINE
STEPHEN R. BUSHEY
LICENSED PROFESSIONAL ENGINEER
LIC. #7429

PROJECT	CANAL LANDING
SHEET TITLE	SITE DETAILS 2 OF 2
CLIENT	NEW YARD LLC 58 FORE STREET PORTLAND, ME 04101

DH DeLUCA-HOFFMAN ASSOCIATES, INC.
778 MAIN STREET, SUITE 8
SOUTH PORTLAND, ME 04106
207.775.1121
WWW.DELUCAHOFFMAN.COM

DRAWN: LA DATE:
DESIGNED: RJW SCALE: AS SHOWN
CHECKED: SRB JOB NO. 3091
FILE NAME: 3091-DET
SHEET C-8.1