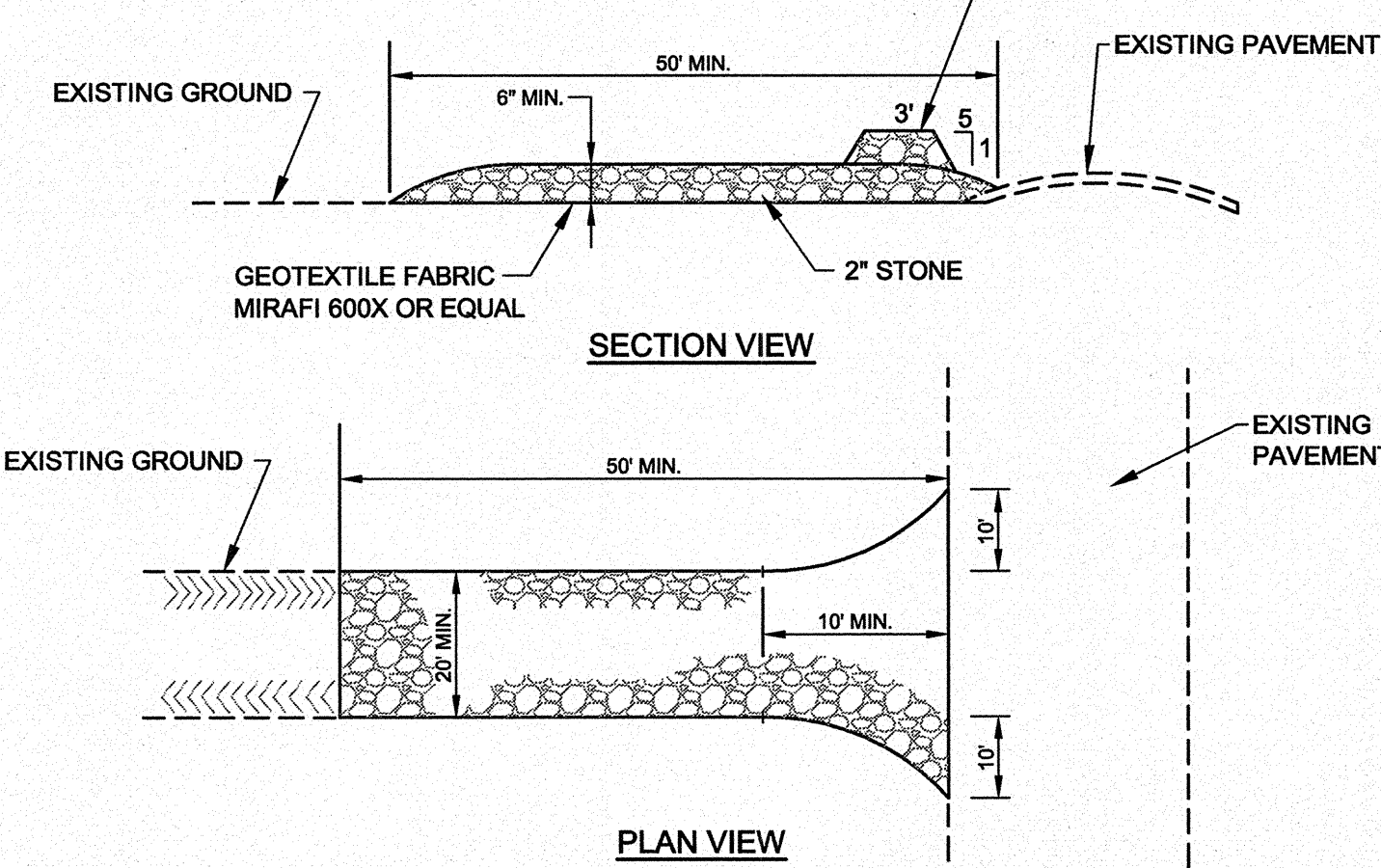


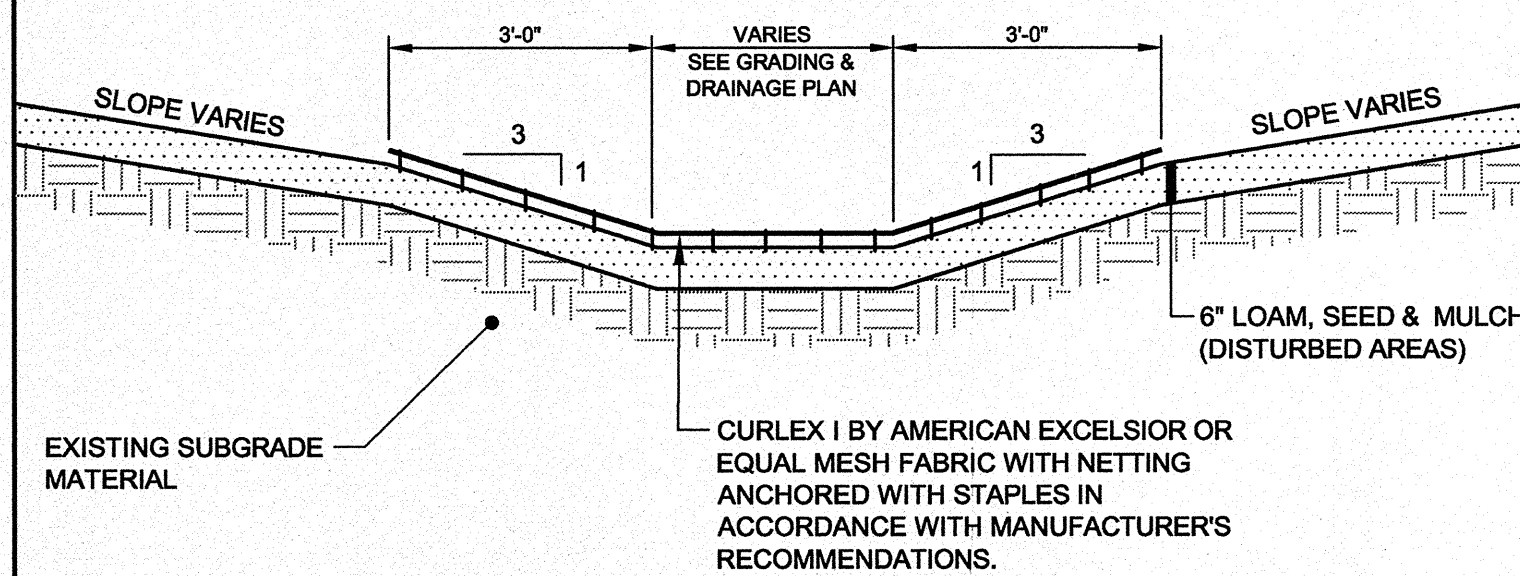
NOTE:
CONTRACTOR SHALL ADD STONE TO OR REMOVE AND RECONSTRUCT THE STABILIZED CONSTRUCTION ENTRANCE AS MUD/SILT MATERIAL ACCUMULATES



A STABILIZED CONSTRUCTION ENTRANCE DETAIL

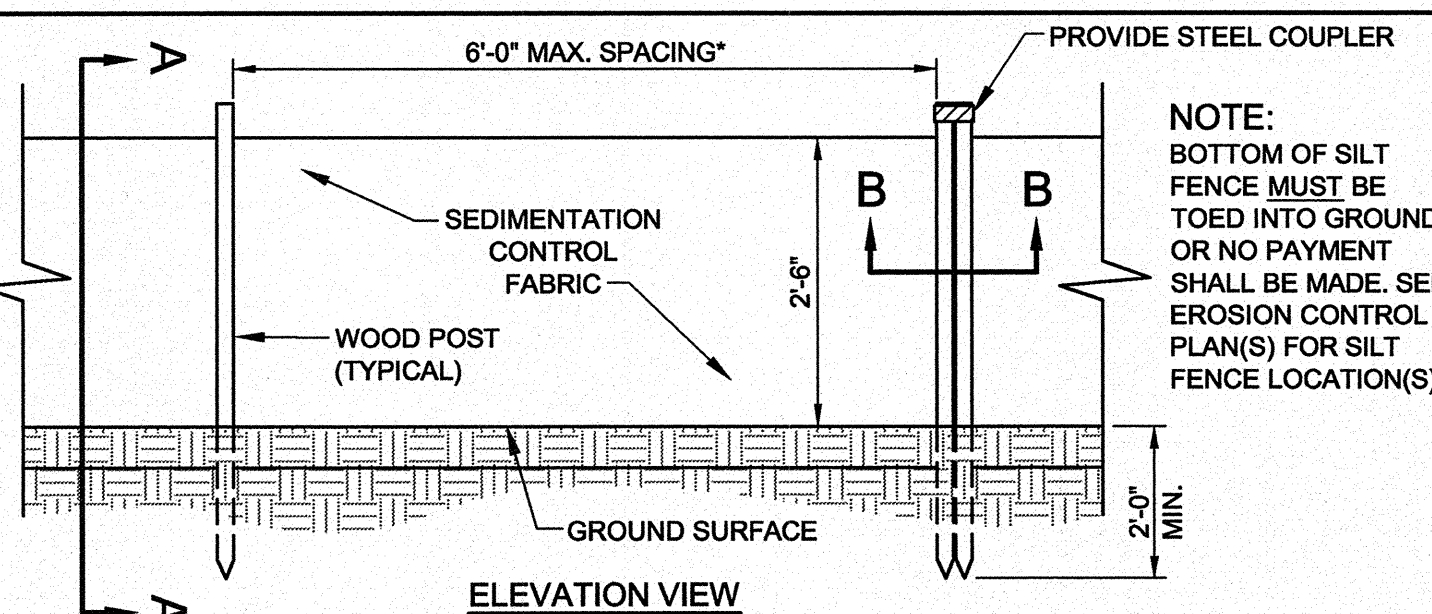
N.T.S.

NOTES:
1. ALL MATERIALS SHALL CONFORM TO THE CURRENT EDITION OF THE MDOT STANDARD SPECIFICATIONS.
2. SEE PLANS FOR LOCATION(S).

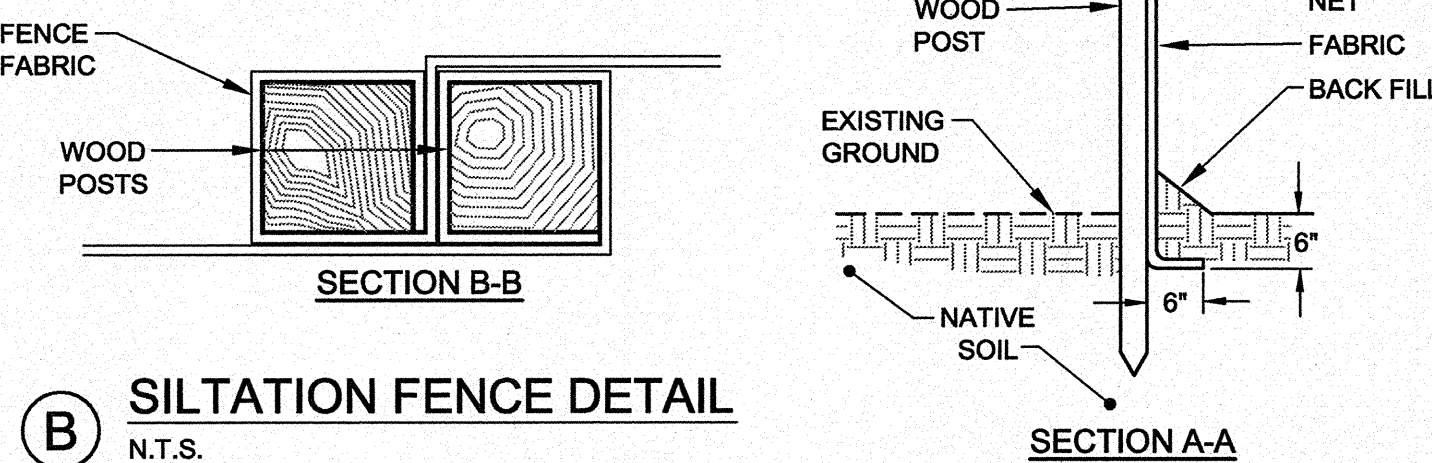


D VEGETATED DRAINAGE SWALE DETAIL

N.T.S.



*NOTE:
THE SILT FENCE SHOULD HAVE A MAXIMUM STAKING DISTANCE OF 6', UNLESS THE FENCE IS SUPPORTED BY WIRE FENCE REINFORCEMENT, A MAXIMUM 14 GAUGE AND WITH A MINIMUM MESH SPACING OF 6\".



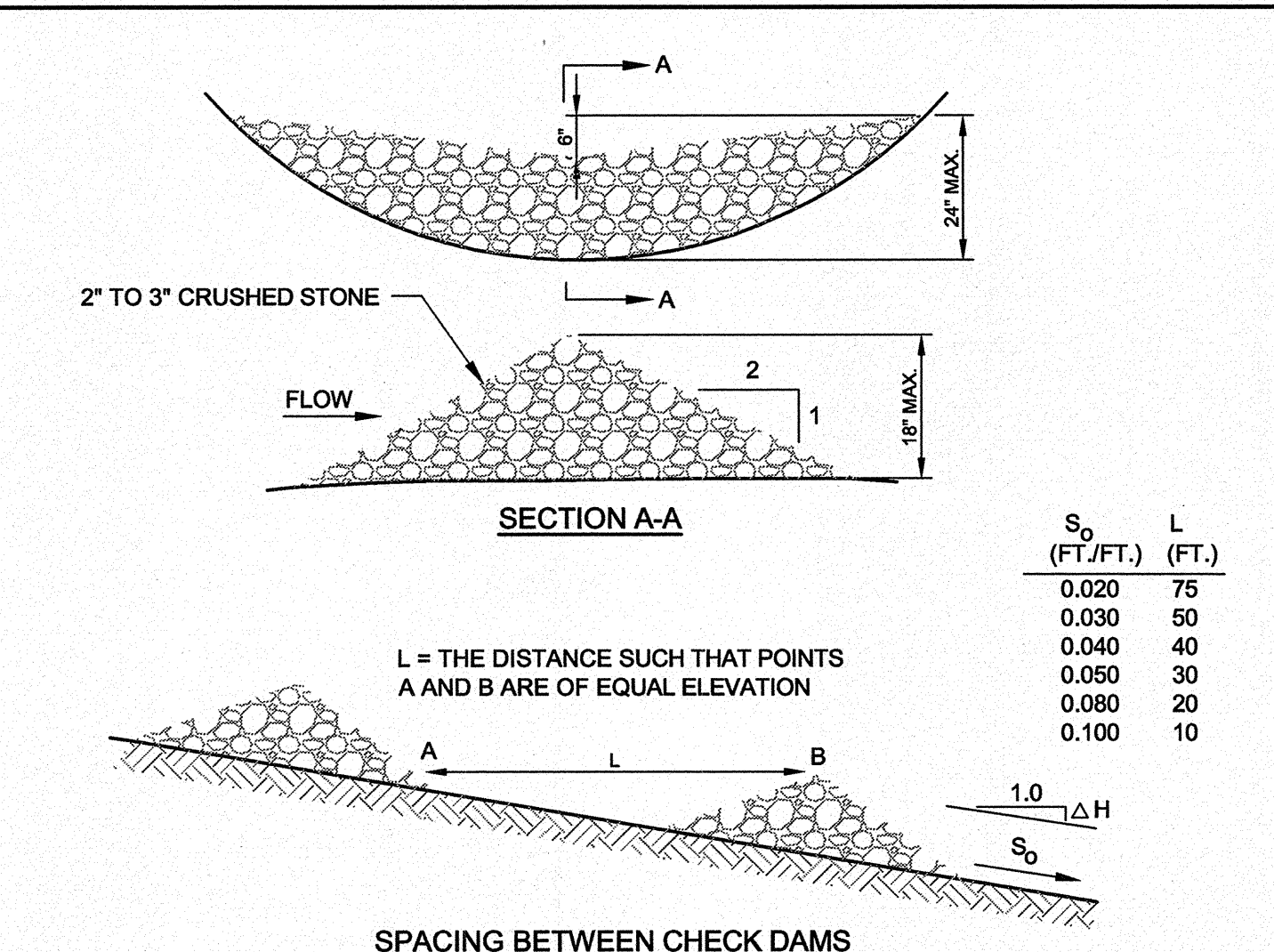
B SILTATION FENCE DETAIL

N.T.S.

NOTES:
1. THE WOOD WASTE COMPOST/BARK MIX SHALL CONFORM TO THE FOLLOWING STANDARDS:
A. MOISTURE CONTENT - 30-60%
B. pH - 5.0-8.0
C. SCREEN SIZE - 100% LESS THAN 3", MAX. 70% LESS THAN 1"
D. NO LESS THAN 40% ORGANIC MATERIAL (DRY WEIGHT) BY LOSS OF IGNITION
E. NO STONES LARGER THAN 2" IN DIAMETER
2. THE COMPOST BERM SHALL BE PLACED, UNCOMPACTED, ALONG A RELATIVELY LEVEL CONTOUR.
3. THE WOOD WASTE COMPOST/BARK FILTER BERM MAY BE USED IN LIEU OF SILTATION FENCE, AT THE TOE OF SHALLOW SLOPES, ON FROZEN GROUND, LEDGE OUT CROPS, VERY ROOTED FORESTED AREA OR AT THE EDGE OF GRAVEL PARKING AREAS.
4. BERMS SHALL REMAIN IN PLACE UNTIL UPSTREAM AREA IS COMPLETED OR 70% CATCH OF VEGETATION IS ATTAINED. BERMS SHALL BE REMOVED BY SPREADING SUCH THAT THE NATIVE EARTH CAN BE SEEN BELOW.

E WOOD WASTE COMPOST / BARK FILTER BERM

N.T.S.



C STONE CHECK DAM DETAIL

N.T.S.

NOTE:
CHECK DAM LOCATIONS TO BE DETERMINED IN THE FIELD BY THE QUALIFIED EROSION AND SEDIMENT CONTROL REPRESENTATIVE.

PRELIMINARY - NOT FOR CONSTRUCTION

REV	DATE	DESCRIPTION
2	10.31.12	FINAL SITE PLAN APPLICATION SUBMISSION
1	08.21.12	PRELIMINARY APPLICATION TO CITY OF PORTLAND

STATE OF MAINE
STEPHEN R. BUSHEY
No. 8429
LICENSED PROFESSIONAL ENGINEER
P.E. STEPHEN R. BUSHEY
LIC. #7429

PROJECT
CANAL LANDING
SHEET TITLE
EROSION CONTROL
DETAILS (2 of 2)
CLIENT
NEW YARD LLC
58 FORE STREET
PORTLAND, ME 04101

DH DeLUCA-HOFFMAN ASSOCIATES, INC.
778 MAIN STREET, SUITE 8
SOUTH PORTLAND, ME 04106
207.775.1121
WWW.DELUCAHOFFMAN.COM
DRAWN: LA DATE:
DESIGNED: RJW SCALE: AS SHOWN
CHECKED: SRB JOB NO. 3091
FILE NAME: 3091-DET
SHEET C-6.3