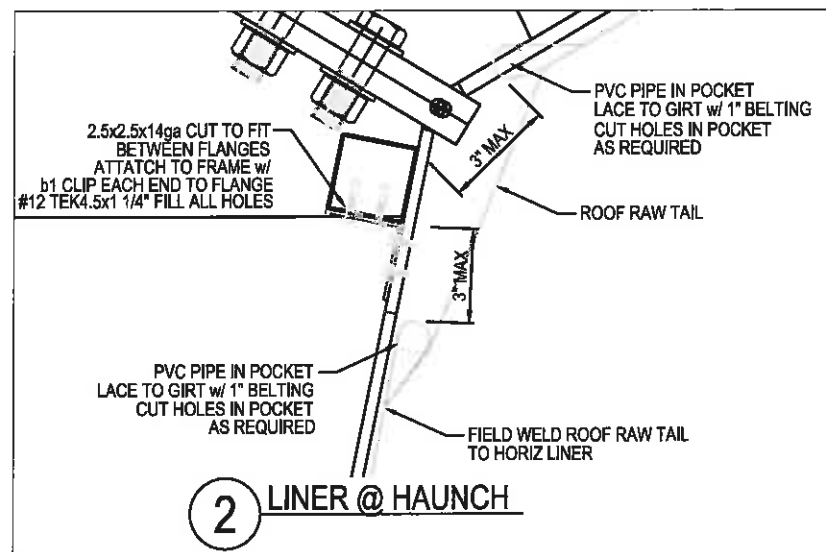
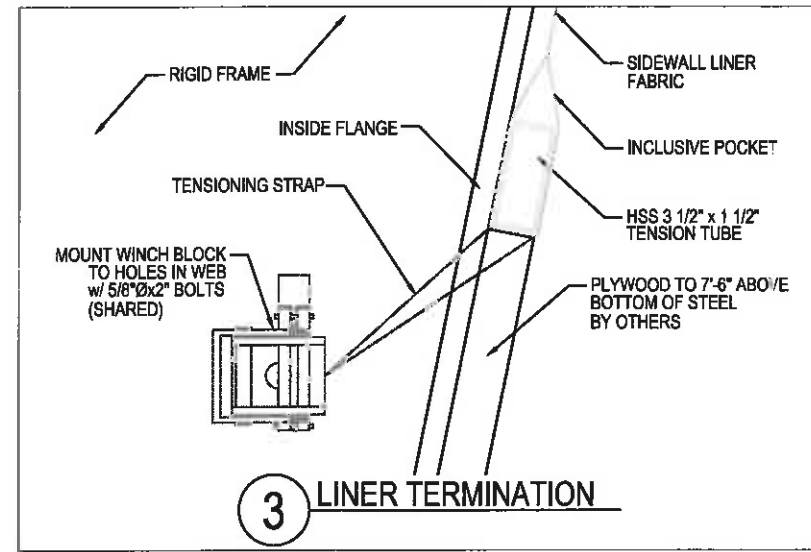


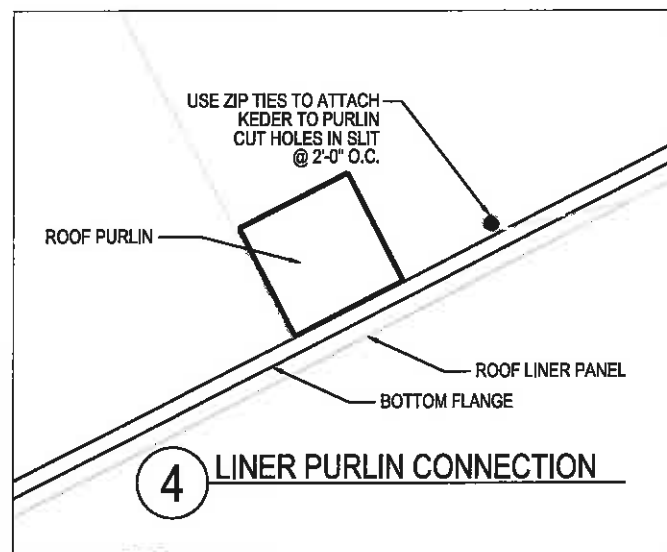
1 LINER @ PEAK



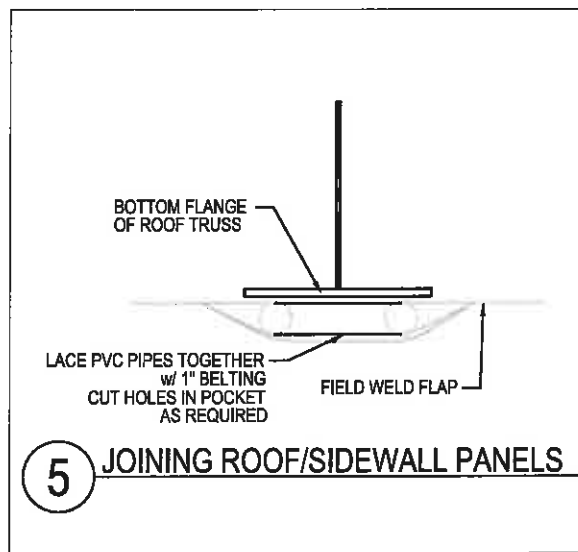
2 LINER @ HAUNCH



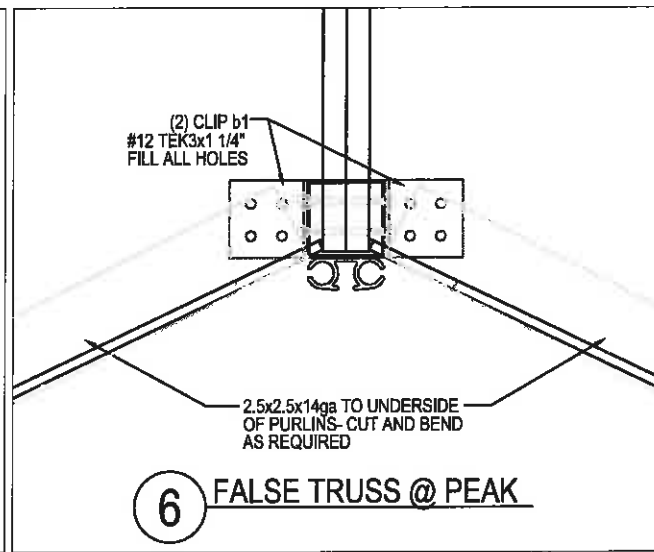
3 LINER TERMINATION



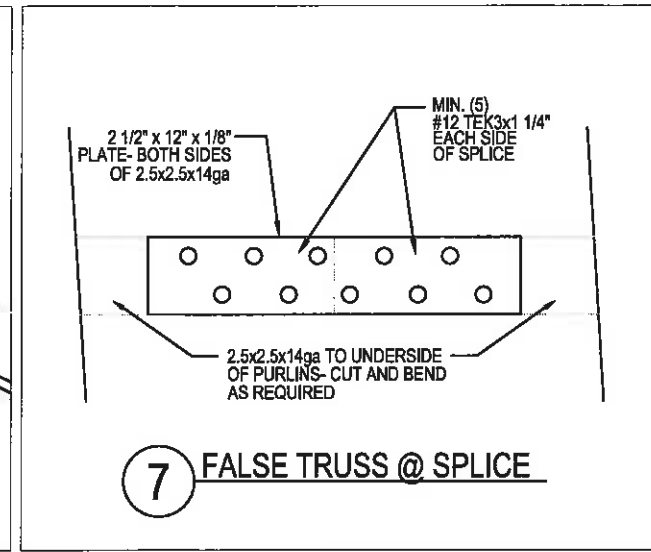
4 LINER PURLIN CONNECTION



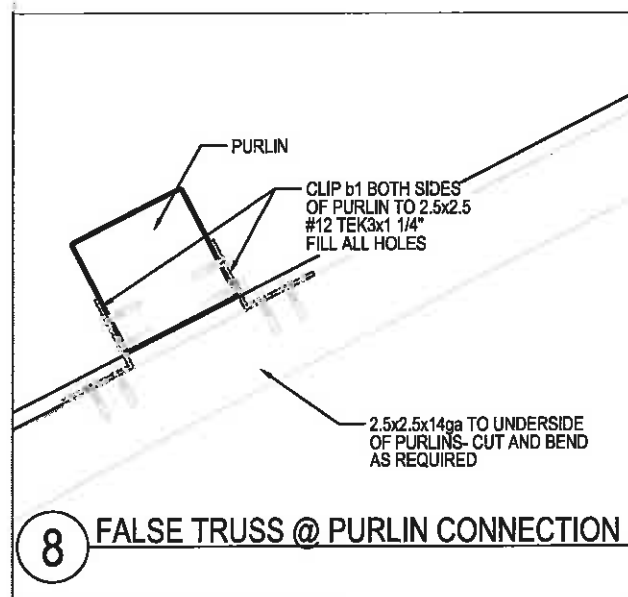
5 JOINING ROOF/SIDEWALL PANELS



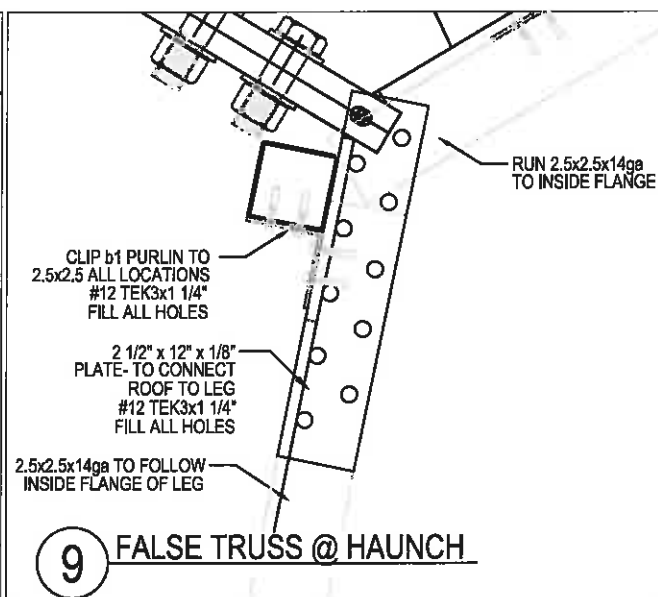
6 FALSE TRUSS @ PEAK



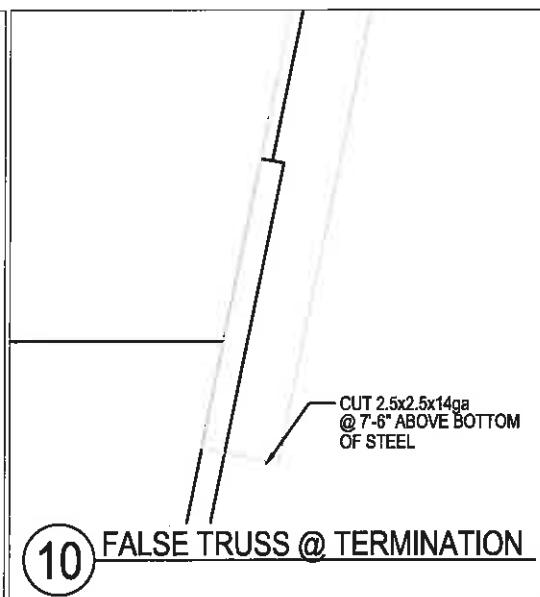
7 FALSE TRUSS @ SPLICE



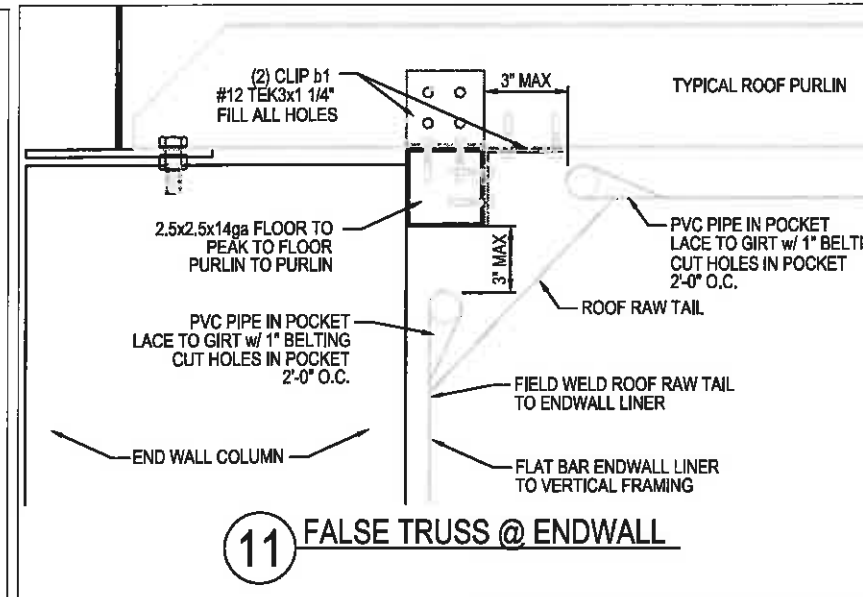
8 FALSE TRUSS @ PURLIN CONNECTION



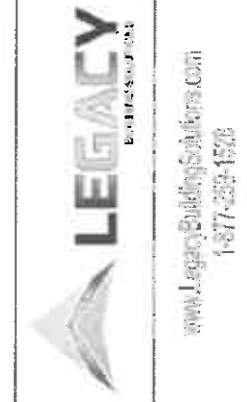
9 FALSE TRUSS @ HAUNCH



10 FALSE TRUSS @ TERMINATION



11 FALSE TRUSS @ ENDWALL



NEWYARD LLC
120'-0" x 160'-6"
PORTLAND, ME

Legacy Building Solutions
19500 County Rd 142
South Haven, MN 55830
p. 320-259-7126

THIS DOCUMENT IS THE PROPERTY OF LEGACY BUILDING SOLUTIONS. IT IS TO BE USED ONLY FOR THE PROJECT AND SITE SPECIFICALLY IDENTIFIED HEREIN. IT IS NOT TO BE REPRODUCED, COPIED, OR TRANSMITTED IN ANY FORM OR BY ANY MEANS, ELECTRONIC OR MECHANICAL, INCLUDING PHOTOCOPYING, RECORDING, OR BY ANY INFORMATION STORAGE AND RETRIEVAL SYSTEM, WITHOUT THE WRITTEN PERMISSION OF LEGACY BUILDING SOLUTIONS.

PATENT PENDING

REVISED	DATE
△	
△	
△	
△	

Sheet number:

S7.1