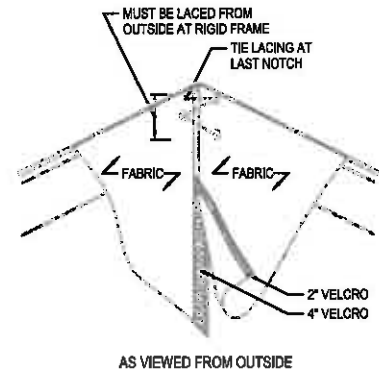
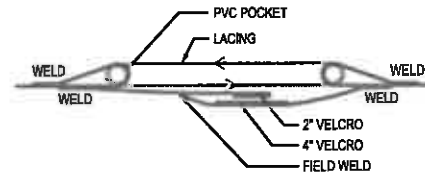


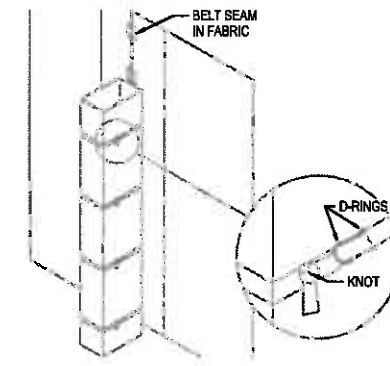
1 E.W. FABRIC LACING DETAIL  
NOT TO SCALE



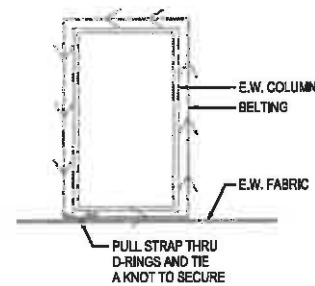
2 E.W. FABRIC SEAM DETAIL  
NOT TO SCALE



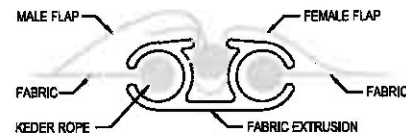
3 E.W. FABRIC SEAM SECTION  
NOT TO SCALE



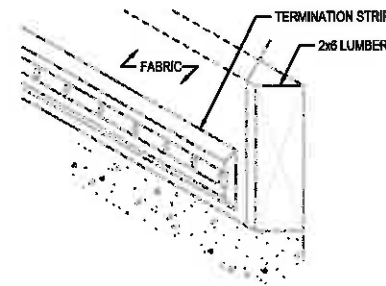
4 E.W. FABRIC BELTING @ E.W. COLUMN DETAIL  
NOT TO SCALE



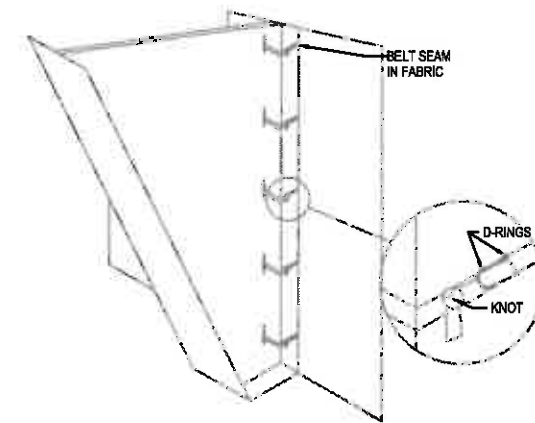
5 E.W. FABRIC BELTING @ E.W. COLUMN SECTION  
NOT TO SCALE



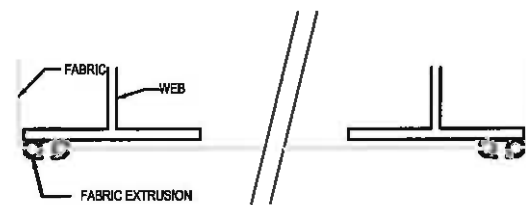
6 FABRIC @ FABRIC EXTRUSION SECTION  
NOT TO SCALE



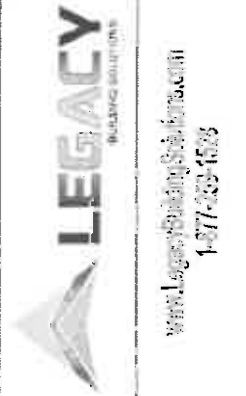
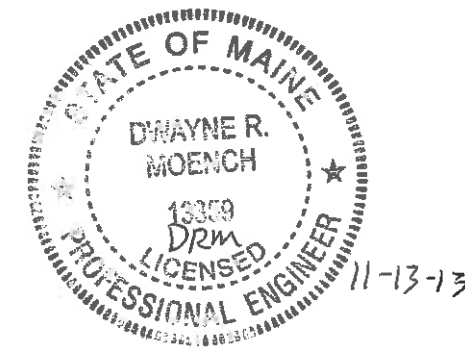
7 FABRIC TERMINATION @ FND DETAIL  
NOT TO SCALE



8 S.W. FABRIC BELTING @ RIGID FRAME DETAIL  
NOT TO SCALE



10 FABRIC EXTRUSION AT END FRAMES  
NOT TO SCALE



NEW YARD LLC  
120'-0" x 160'-0"  
PORTLAND, ME

Legacy Building Solutions  
19500 County Rd 142  
South Haven, MN 55830  
p. 320-259-7126

THIS DRAWING AND THE PROJECTS TO WHICH IT APPLIES ARE THE PROPERTY OF LEGACY BUILDING SOLUTIONS. NO PART OF THIS DRAWING OR PROJECTS TO WHICH IT APPLIES MAY BE REPRODUCED OR TRANSMITTED IN ANY FORM OR BY ANY MEANS, ELECTRONIC OR MECHANICAL, INCLUDING PHOTOCOPYING, RECORDING, OR BY ANY INFORMATION STORAGE AND RETRIEVAL SYSTEM, WITHOUT THE WRITTEN PERMISSION OF LEGACY BUILDING SOLUTIONS.

PATENT PENDING

FABRIC DETAILS

DATE:	DATE
△	△
△	△
△	△
△	△

NAME:	DATE:
NO:	NO:
SCALE:	SCALE:
PROJECT:	PROJECT:

Sheet Number:

S6.1