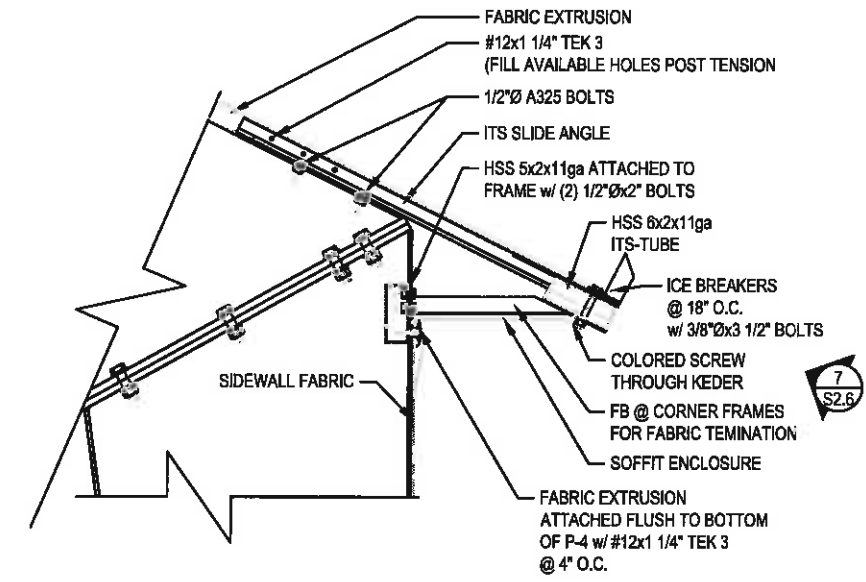
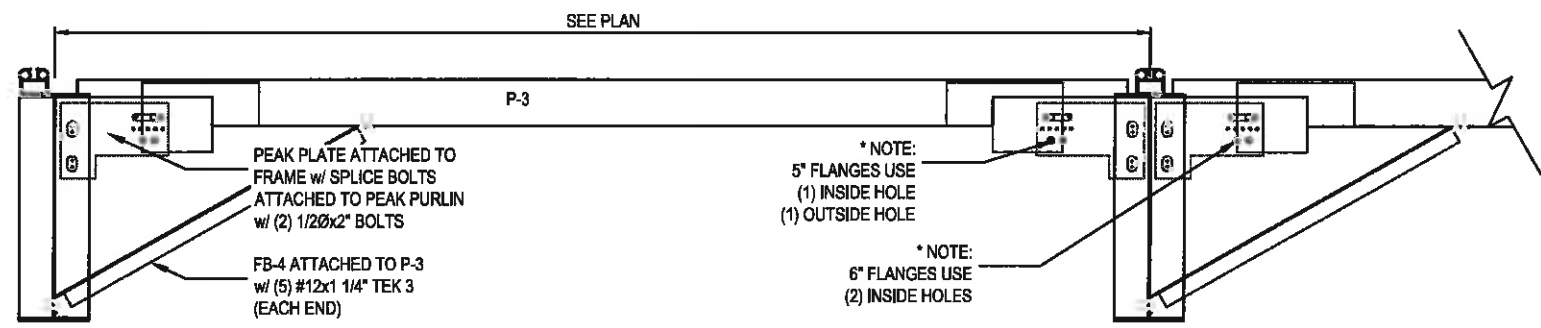


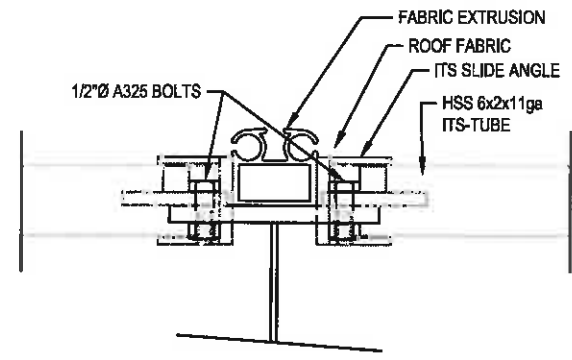
1 TYPICAL PURLIN BRACE DETAIL  
SCALE: 3/4" = 1'-0"



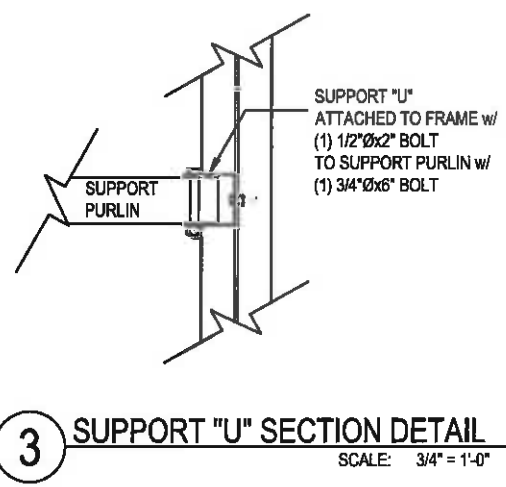
6 TYPICAL EAVE/SOFFIT DETAIL  
SCALE: 3/4" = 1'-0"



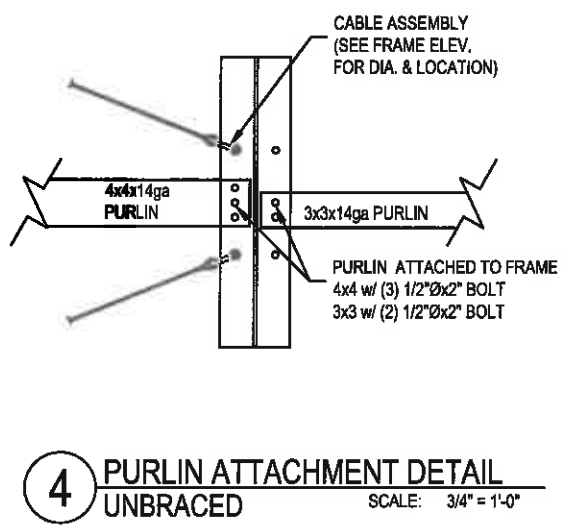
2 TYPICAL P-3 BRACE DETAIL  
SCALE: 3/4" = 1'-0"



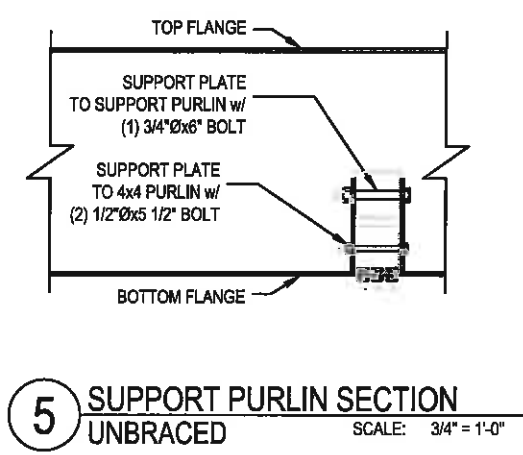
7 ITS CONNECTION END VIEW  
SCALE: 3/4" = 1'-0"



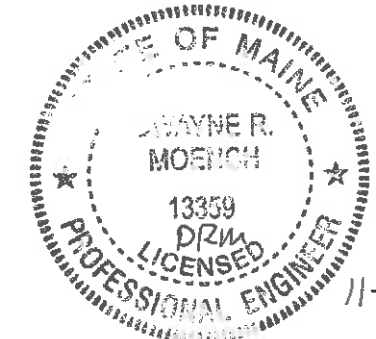
3 SUPPORT "U" SECTION DETAIL  
SCALE: 3/4" = 1'-0"



4 PURLIN ATTACHMENT DETAIL UNBRACED  
SCALE: 3/4" = 1'-0"



5 SUPPORT PURLIN SECTION UNBRACED  
SCALE: 3/4" = 1'-0"



11-13-13

DESIGNED BY	DATE
CHECKED BY	DATE
APPROVED BY	DATE

PROJECT	NO.
DATE	NO.
SCALE	NO.
REVISIONS	NO.