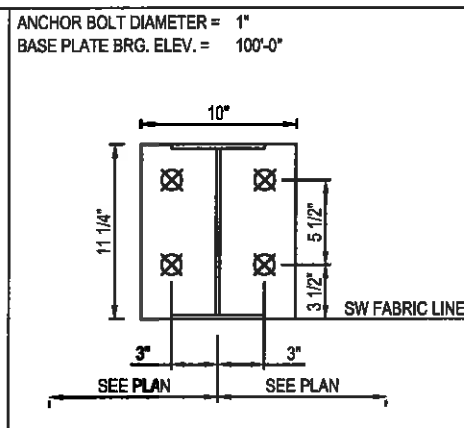
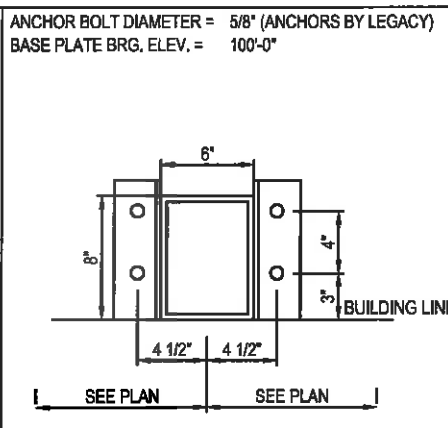


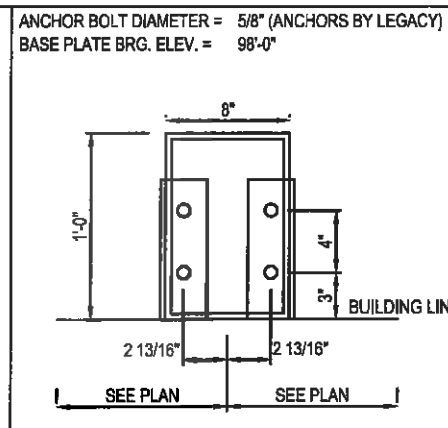
DETAIL A



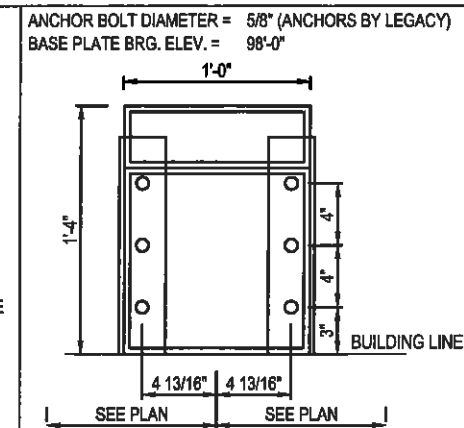
DETAIL B



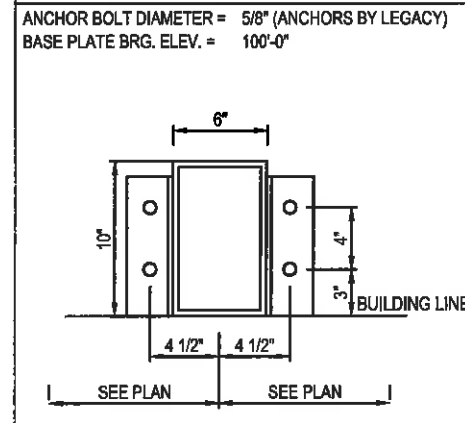
DETAIL C



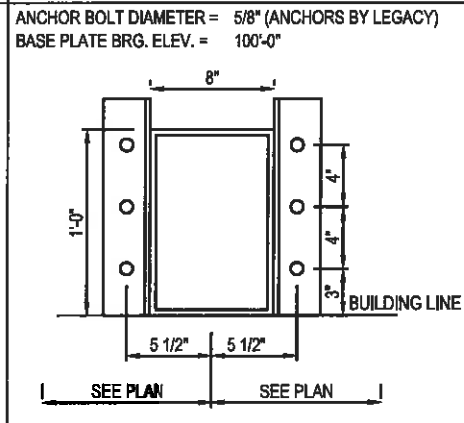
DETAIL D



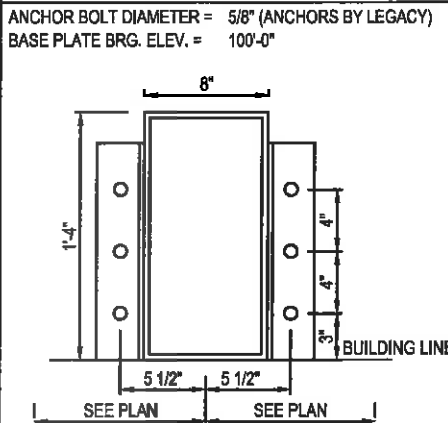
DETAIL E



DETAIL G



DETAIL H



DETAIL I



NEW YARD LLC
120'-0" X 160'-6"
PORTLAND, ME

Legacy Building Solutions
19500 County Rd 142
South Haven, MN 55830
p. 320-259-7126

WE DESIGN AND THE PROJECTS IN THIS MANUAL ARE THE PROPERTY OF LEGACY BUILDING SOLUTIONS. IT IS PROHIBITED FOR ANYONE TO REPRODUCE OR TRANSMIT IN ANY FORM OR BY ANY MEANS, ELECTRONIC OR MECHANICAL, INCLUDING PHOTOCOPYING, RECORDING, OR BY ANY INFORMATION STORAGE AND RETRIEVAL SYSTEM, WITHOUT THE WRITTEN APPROVAL OF LEGACY BUILDING SOLUTIONS.

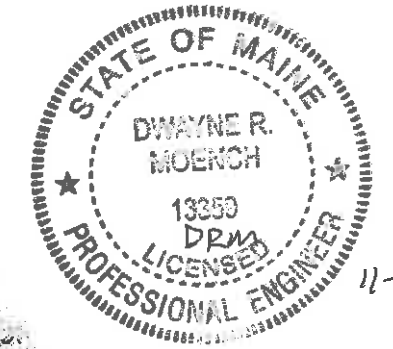
PATENT PENDING

ANCHOR BOLT DETAILS

NO.	DATE	BY
1	11-13-13	DRM
2		
3		
4		

Scale:	1" = 1'-0"
Rev:	01/13
Drawn:	DRM
Checked:	PLC/MSH/DRM

Sheet Number
S1.1



11-13-13

SCALE: 1" = 1'-0"