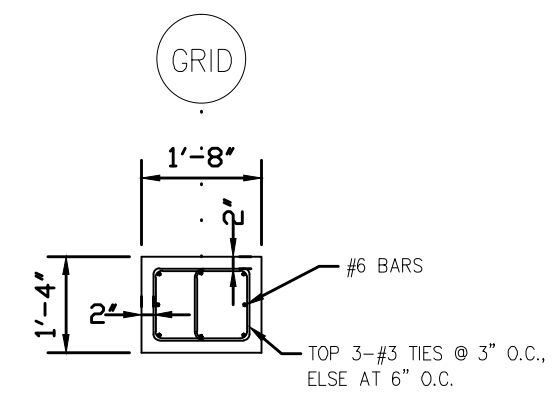


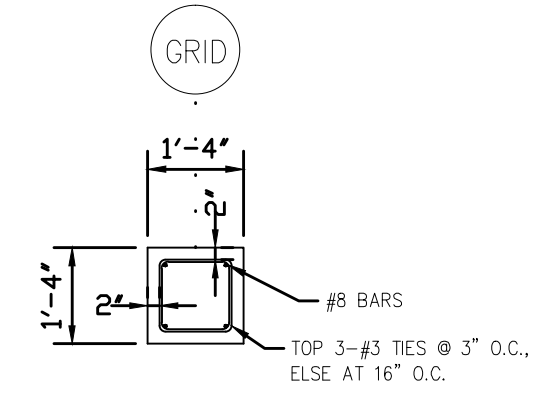
PROJECT: PORTLAND YACHT — NEW YARD  
 SUBJECT: LEGACY BUILDING FOUNDATION  
 ITEM: PIER SECTIONS, INFILL WALLS, GRADE BEAM

**GAGNON ENGINEERING INC.**  
 Structural Consultants

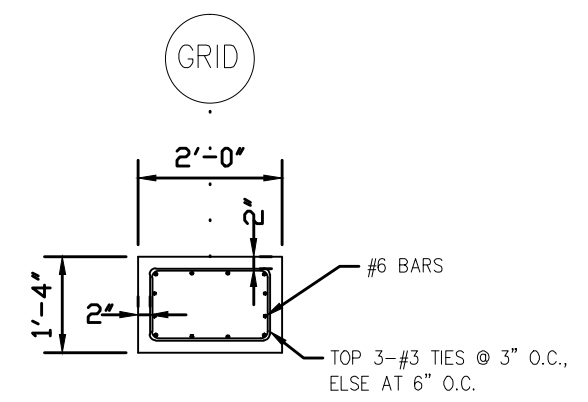
DATE: 10/7/13  
 BY: RG  
 SHEET: 4 OF 9999  
 gei #205



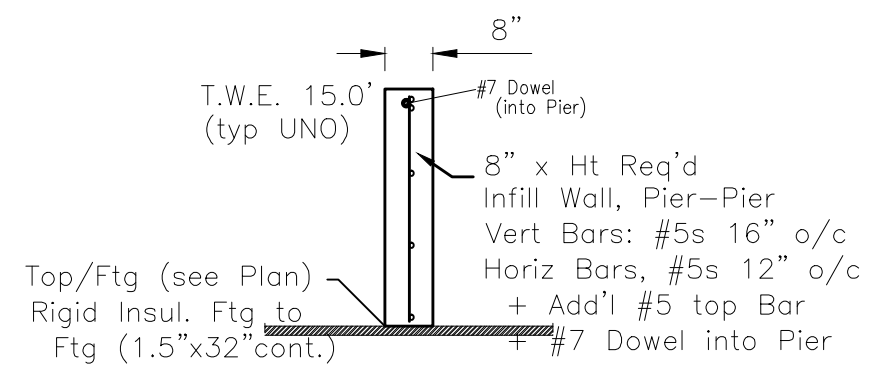
(P2) PIER P2 PLANVIEW  
 1/2"=1'-0"



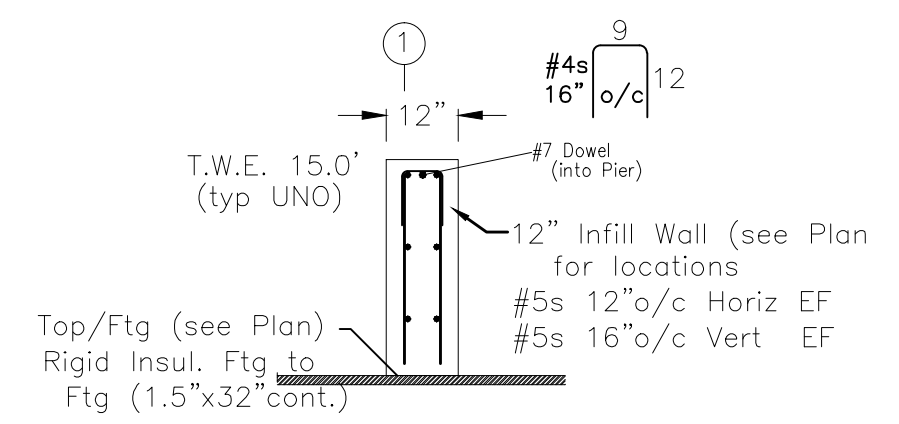
(P3) PIER P3 PLANVIEW  
 1/2"=1'-0"



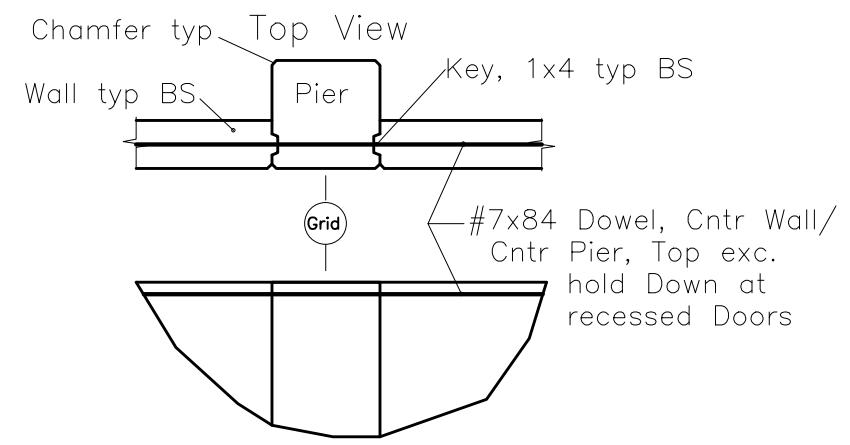
(P4) PIER P4 PLANVIEW  
 1/2"=1'-0"



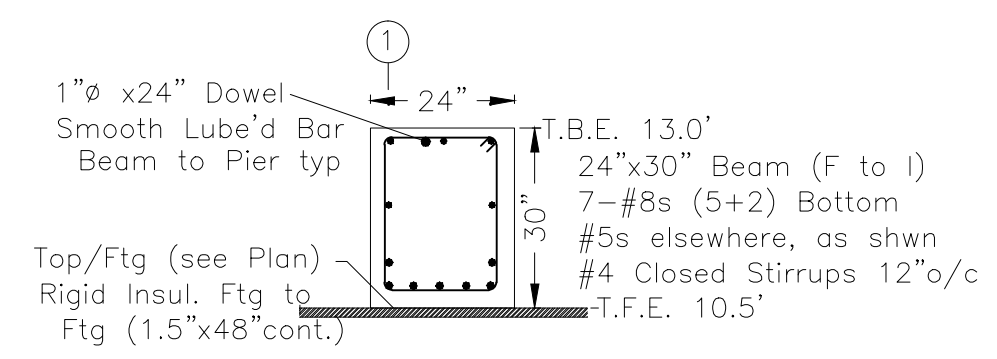
(8W) Typ 8" Infill Wall  
 3/8"=1'-0"



(12W) Typ 12" Infill Wall  
 3/8"=1'-0"  
 (Ftg D to Ftg F &  
 Ftg I to Ftg K)



Side View  
 Wall-Pier Dowel Det.  
 Note: Rebar not shown



(GB) Grade Beam  
 3/8"=1'-0"  
 (Ftg F to Ftg I)

