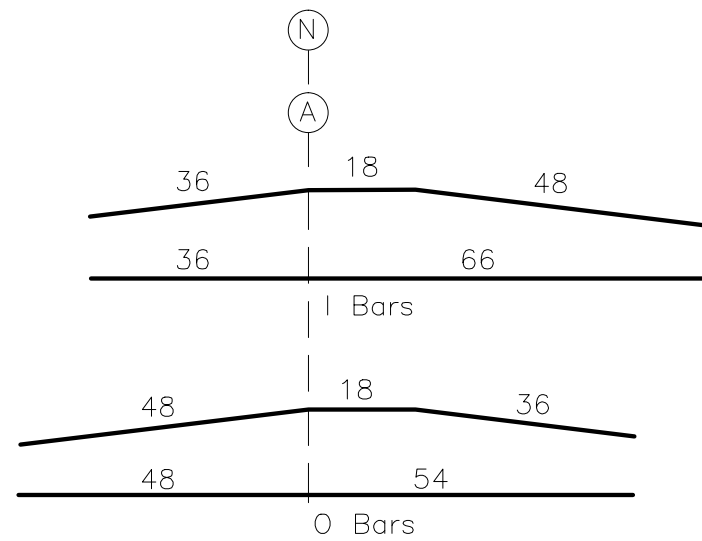
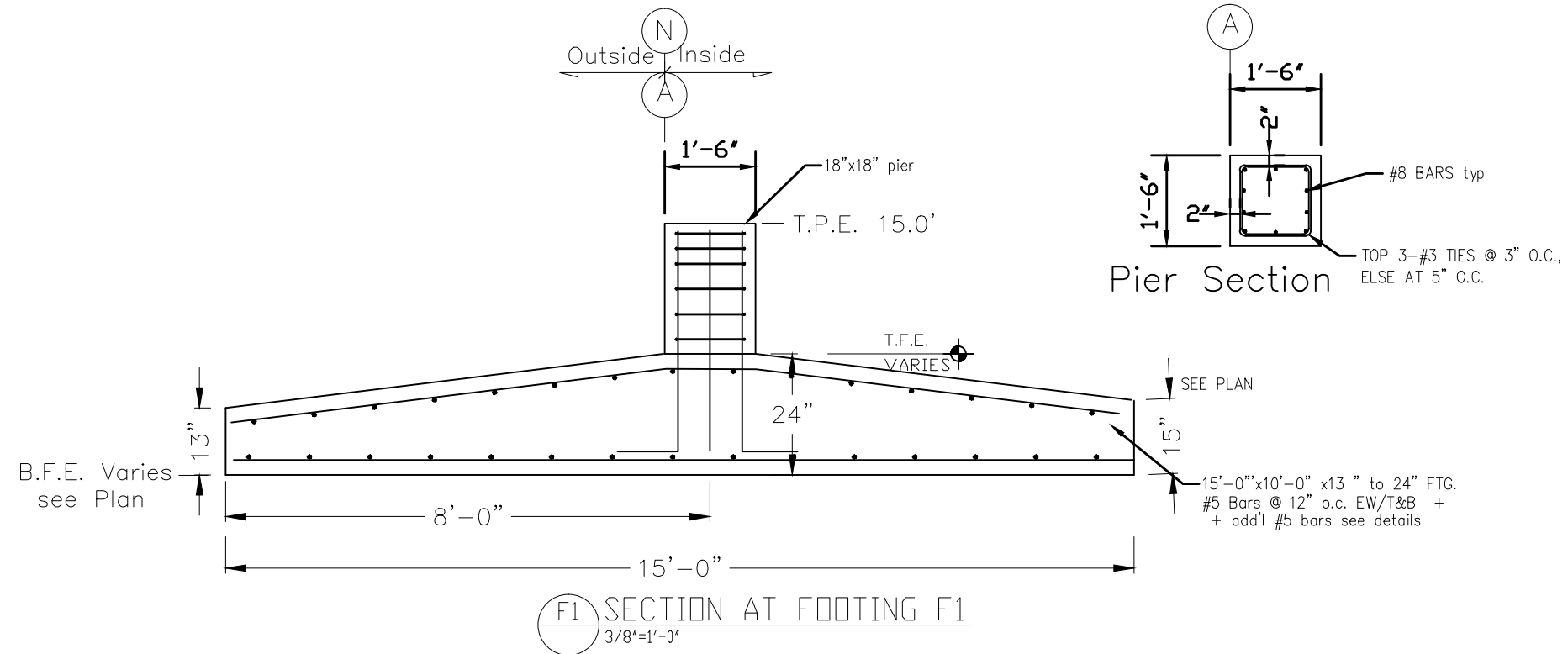


PROJECT: PORTLAND YACHT — NEW YARD  
 SUBJECT: LEGACY BUILDING FOUNDATION  
 ITEM: A & N Line Footings

**GAGNON ENGINEERING INC.**  
 Structural Consultants

DATE: 10/7/13  
 BY: RG  
 SHEET: 2 OF 9999  
 GEI#gei #205



Add'l Bars (T&B) #5s at 12"  
 locate betw. typ bars  
 alternate O & I Bars  
 Typ at FTGs F1 & F1a

