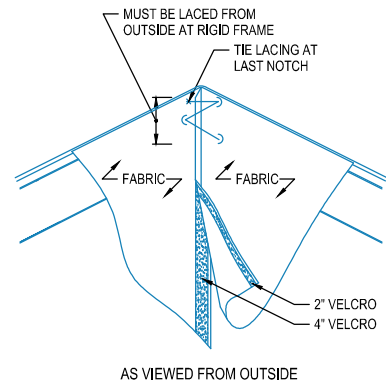
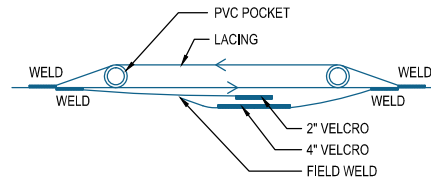


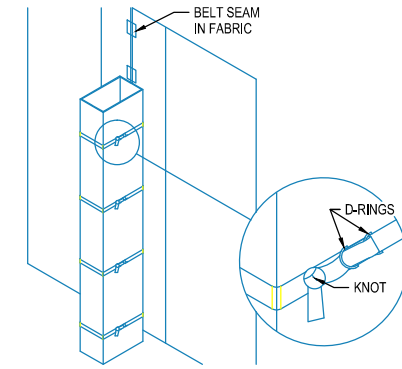
**1** E.W. FABRIC LACING DETAIL  
NOT TO SCALE



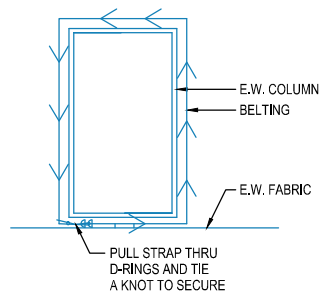
**2** E.W. FABRIC SEAM DETAIL  
NOT TO SCALE



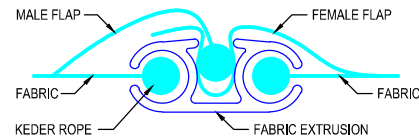
**3** E.W. FABRIC SEAM SECTION  
NOT TO SCALE



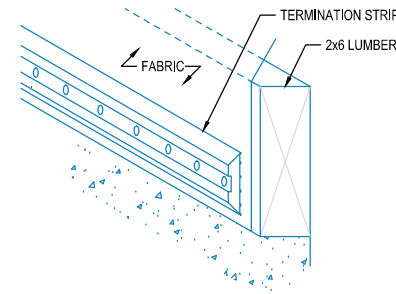
**4** E.W. FABRIC BELTING @ E.W. COLUMN DETAIL  
NOT TO SCALE



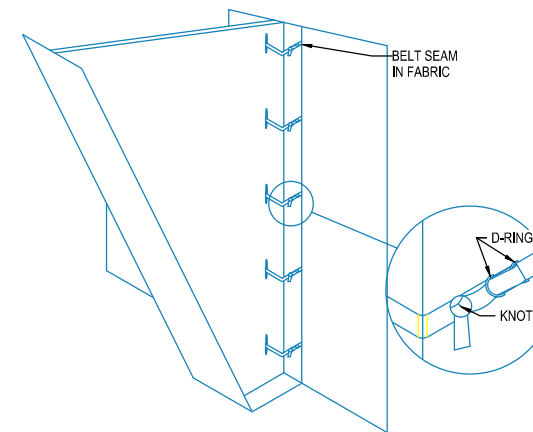
**5** E.W. FABRIC BELTING @ E.W. COLUMN SECTION  
NOT TO SCALE



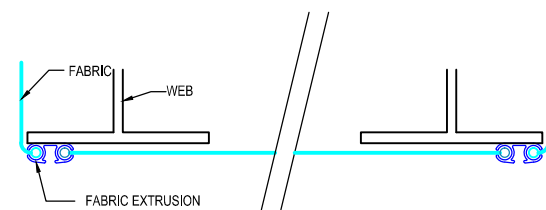
**6** FABRIC @ FABRIC EXTRUSION SECTION  
NOT TO SCALE



**7** FABRIC TERMINATION @ FND DETAIL  
NOT TO SCALE



**8** S.W. FABRIC BELTING @ RIGID FRAME DETAIL  
NOT TO SCALE



**10** FABRIC EXTRUSION AT END FRAMES  
NOT TO SCALE



www.LegacyBuildingSolutions.com  
1-877-259-1528

**NEW YARD LLC**  
**120'-0" x 160'-6"**  
PORTLAND, ME

Legacy Building Solutions  
19500 County Rd 142  
South Haven, MN 55830  
p. 320-259-7126

THIS DRAWING AND THE INFORMATION HEREON, REMAINS THE PROPERTY OF LEGACY BUILDING SOLUTIONS. IT IS PROVIDED FOR ERECTING THE BUILDING DESCRIBED IN THE APPLICABLE PURCHASE ORDER AND SHALL NOT BE MODIFIED, REPRODUCED OR USED FOR ANY OTHER PURPOSE WITHOUT PRIOR WRITTEN APPROVAL OF LEGACY BUILDING SOLUTIONS.

PATENT PENDING

FABRIC DETAILS

DRAWING SET:	DATE:
△ STAMPED DRAWING	10-07-2013
△ _____	_____
△ _____	_____
△ _____	_____

Project No.:	13-025
Date:	10-07-2013
Drawn By:	AMH
Checked By:	INSERT CHECKED BY

Sheet Number:

**S6.1**