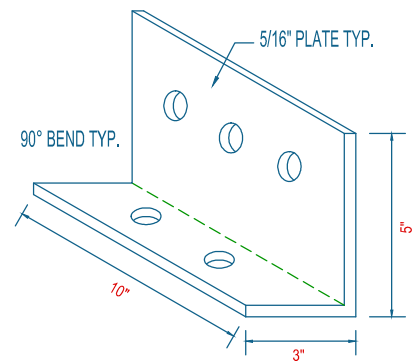


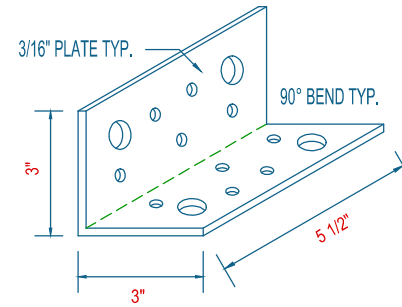
CLIP: b1

5/16" Ø HOLES TYP.



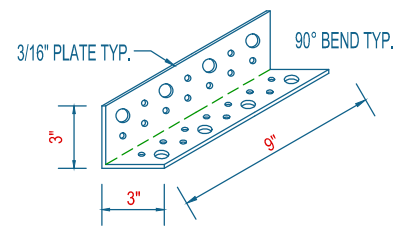
CLIP: b2

13/16" Ø HOLES TYP.



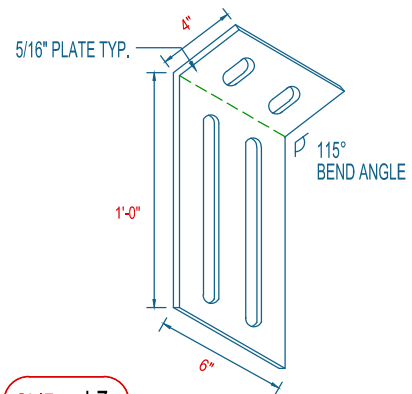
CLIP: b4

5/16" AND 11/16" Ø HOLES



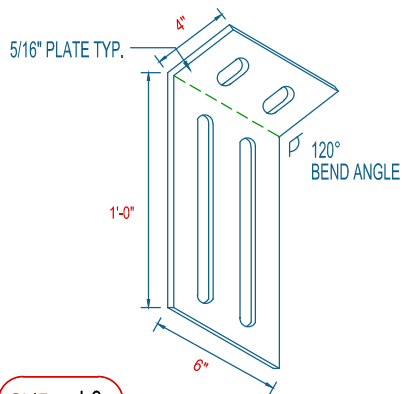
CLIP: b5

5/16" AND 11/16" Ø HOLES



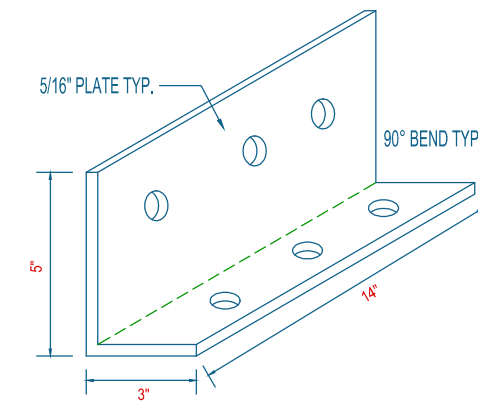
CLIP: b7

13/16" SLOTS



CLIP: b8

13/16" SLOTS



CLIP: b10

13/16" Ø HOLES TYP.



www.LegacyBuildingSolutions.com
1-877-259-1528

NEW YARD LLC
120'-0" x 160'-6"
PORTLAND, ME

Legacy Building Solutions
19500 County Rd 142
South Haven, MN 55830
p. 320-259-7126

THIS DRAWING AND THE INFORMATION HEREON, REMAINS THE PROPERTY OF LEGACY BUILDING SOLUTIONS. IT IS PROVIDED FOR ERECTING THE BUILDING DESCRIBED IN THE APPLICABLE PURCHASE ORDER AND SHALL NOT BE MODIFIED, REPRODUCED OR USED FOR ANY OTHER PURPOSE WITHOUT PRIOR WRITTEN APPROVAL OF LEGACY BUILDING SOLUTIONS.

PATENT PENDING

CLIP DETAILS

DRAWING SET:	DATE:
△ STAMPED DRAWING	10-07-2013
△ _____	_____
△ _____	_____
△ _____	_____

Project No.:	13-025
Date:	10-07-2013
Drawn By:	AMH
Checked By:	INSERT CHECKED BY

Sheet Number:

S5.0