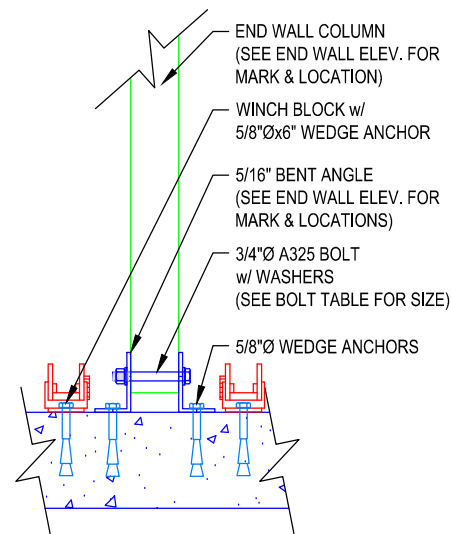
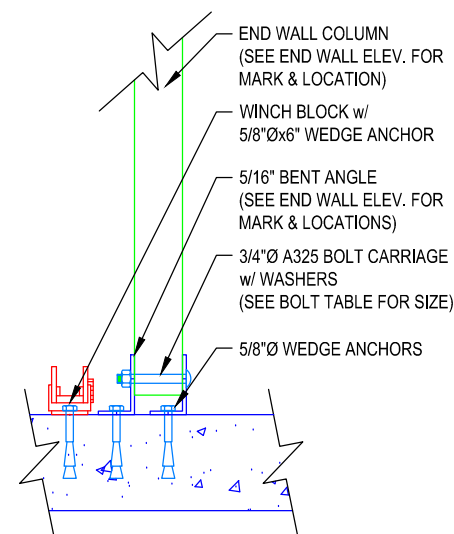


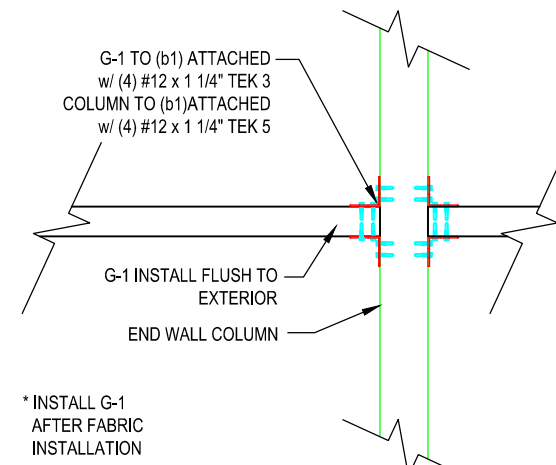
**1** COLUMN TOP ATTACHMENT  
SCALE: 3/4" = 1'-0"



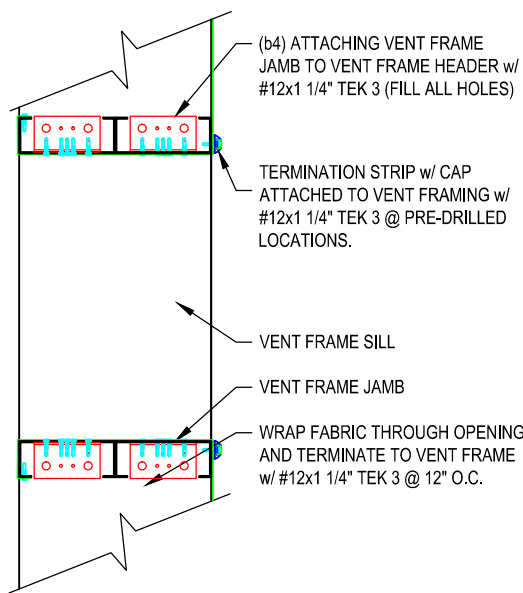
**2** COLUMN BOTTOM ATTACHMENT  
SCALE: 3/4" = 1'-0"



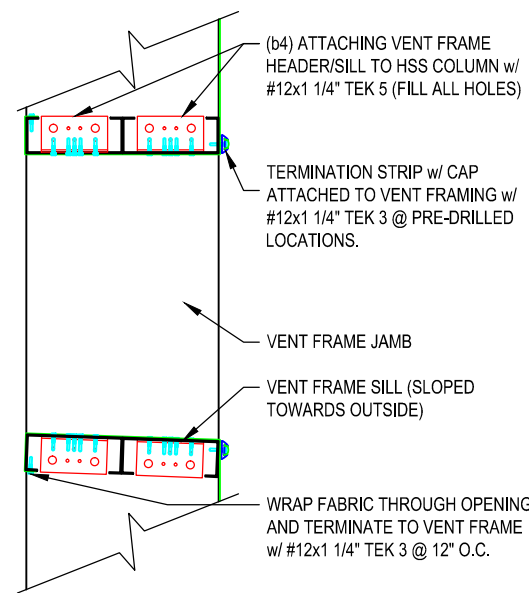
**3** COLUMN JAMB ATTACHMENT  
SCALE: 3/4" = 1'-0"



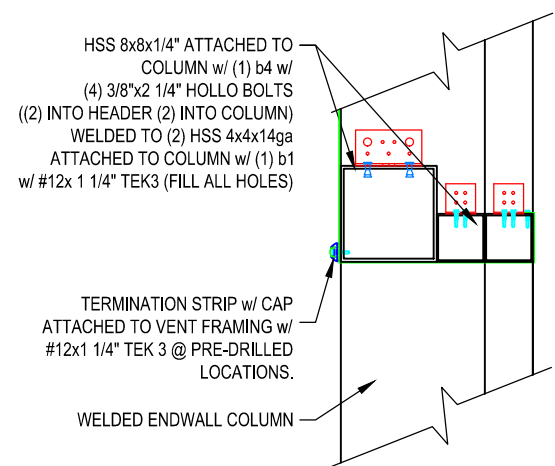
**4** ENDWALL GIRT ATTACHMENT DETAIL  
SCALE: 3/4" = 1'-0"



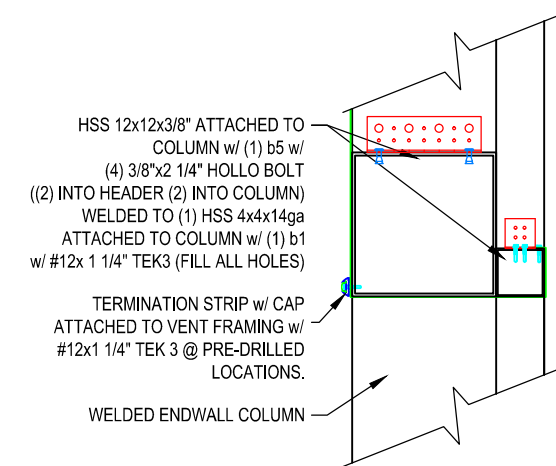
**5** VENT FRAME JAMB TO SILL



**6** VENT FRAME JAMB TO COLUMN



**7** DH-3 TO ENDWALL COLUMN



**8** DH-4 TO ENDWALL COLUMN

**NEW YARD LLC**  
**120'-0" x 160'-6"**  
PORTLAND, ME

Legacy Building Solutions  
19500 County Rd 142  
South Haven, MN 55830  
p. 320-259-7126

THIS DRAWING AND THE INFORMATION HEREON, REMAINS THE PROPERTY OF LEGACY BUILDING SOLUTIONS. IT IS PROVIDED FOR ERECTING THE BUILDING DESCRIBED IN THE APPLICABLE PURCHASE ORDER AND SHALL NOT BE MODIFIED, REPRODUCED OR USED FOR ANY OTHER PURPOSE WITHOUT PRIOR WRITTEN APPROVAL OF LEGACY BUILDING SOLUTIONS.

**PATENT PENDING**

**ENDWALL DETAILS**

DRAWING SET:	DATE:
△ STAMPED DRAWING	10-07-2013
△	
△	
△	

Project No.:	13-025
Date:	10-07-2013
Drawn By:	AMH
Checked By:	INSERT CHECKED BY

Sheet Number:

**S4.4**