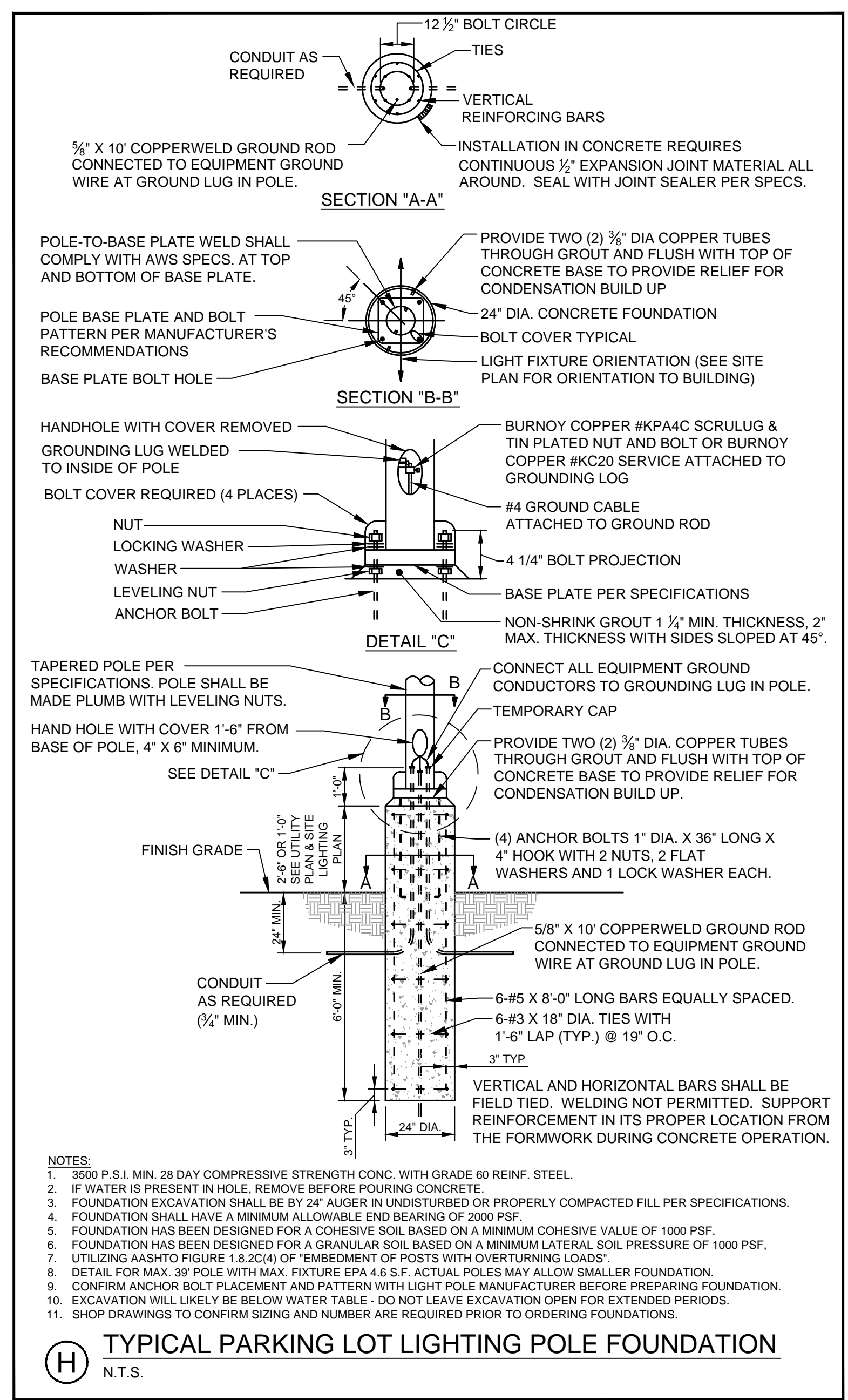
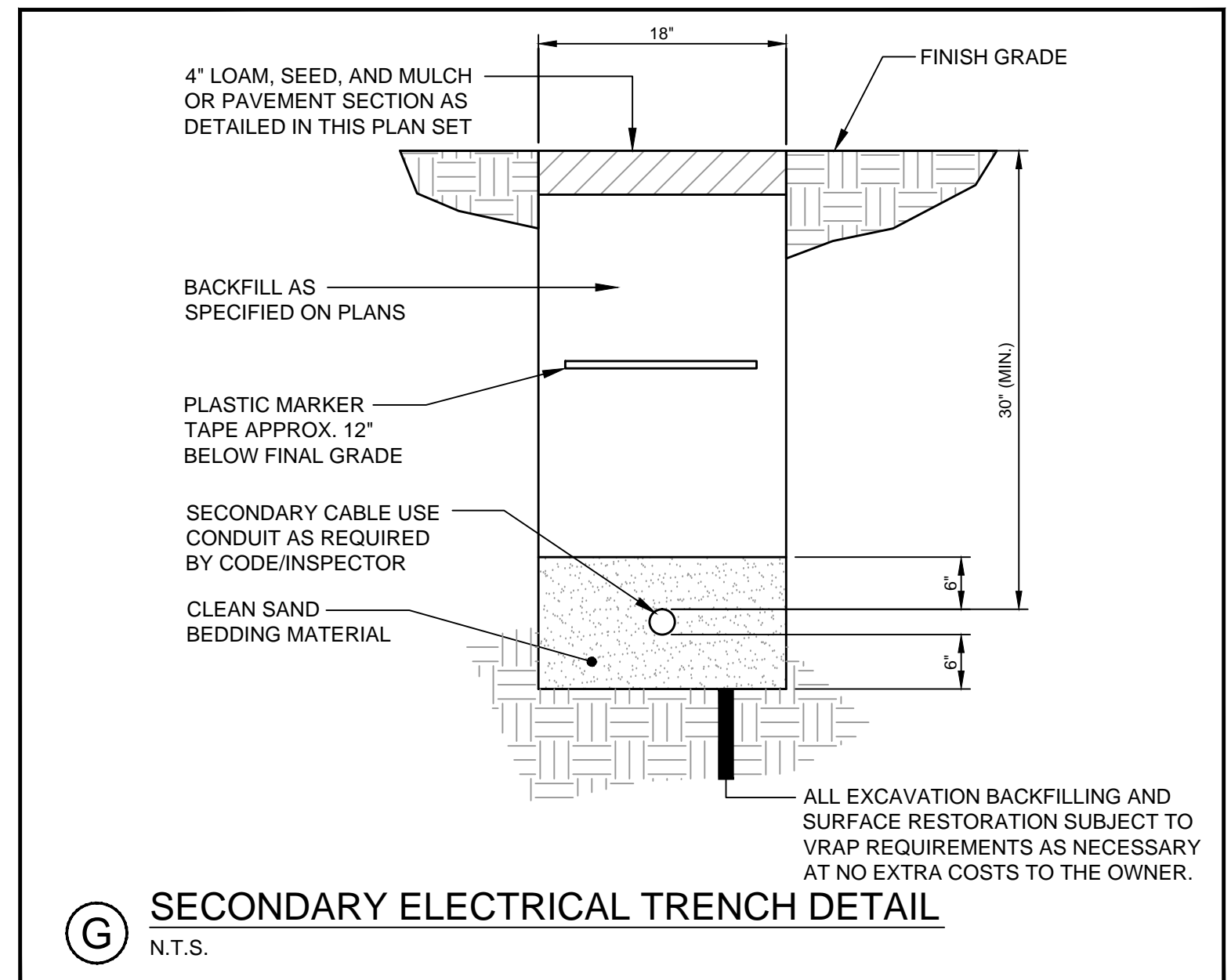
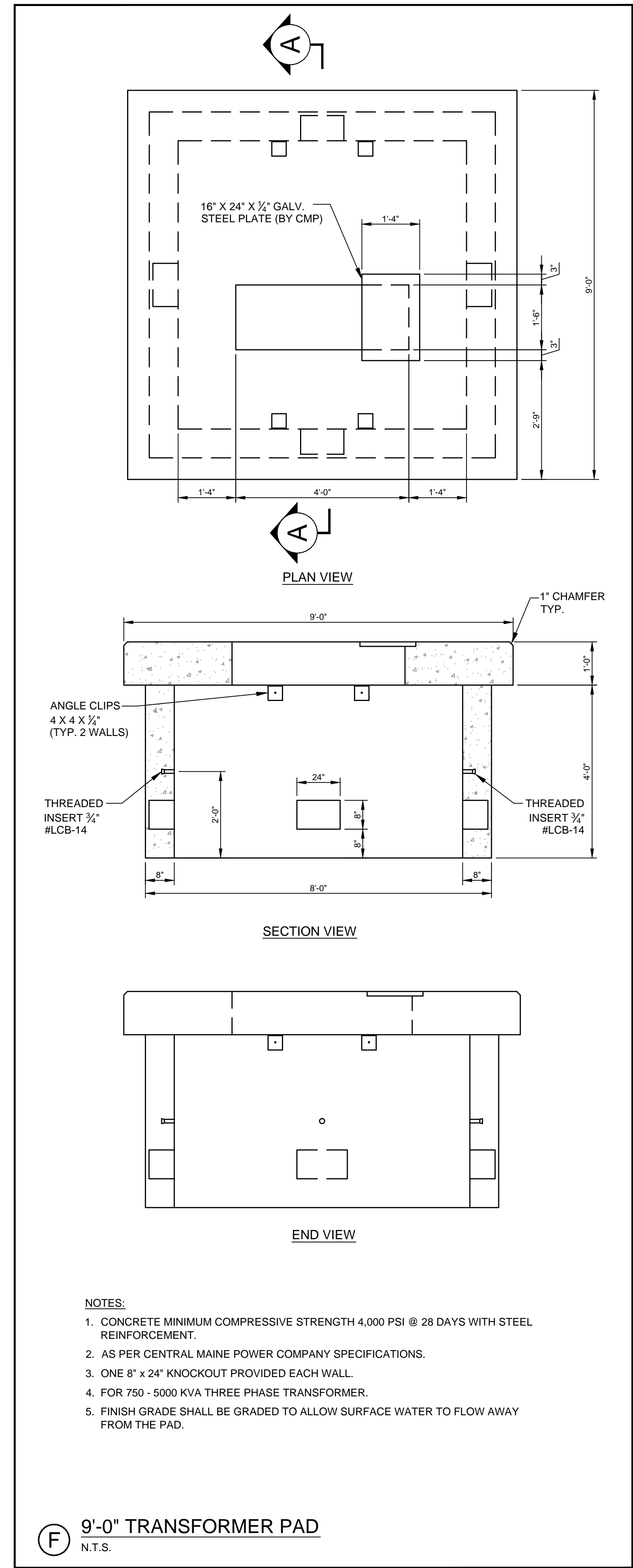
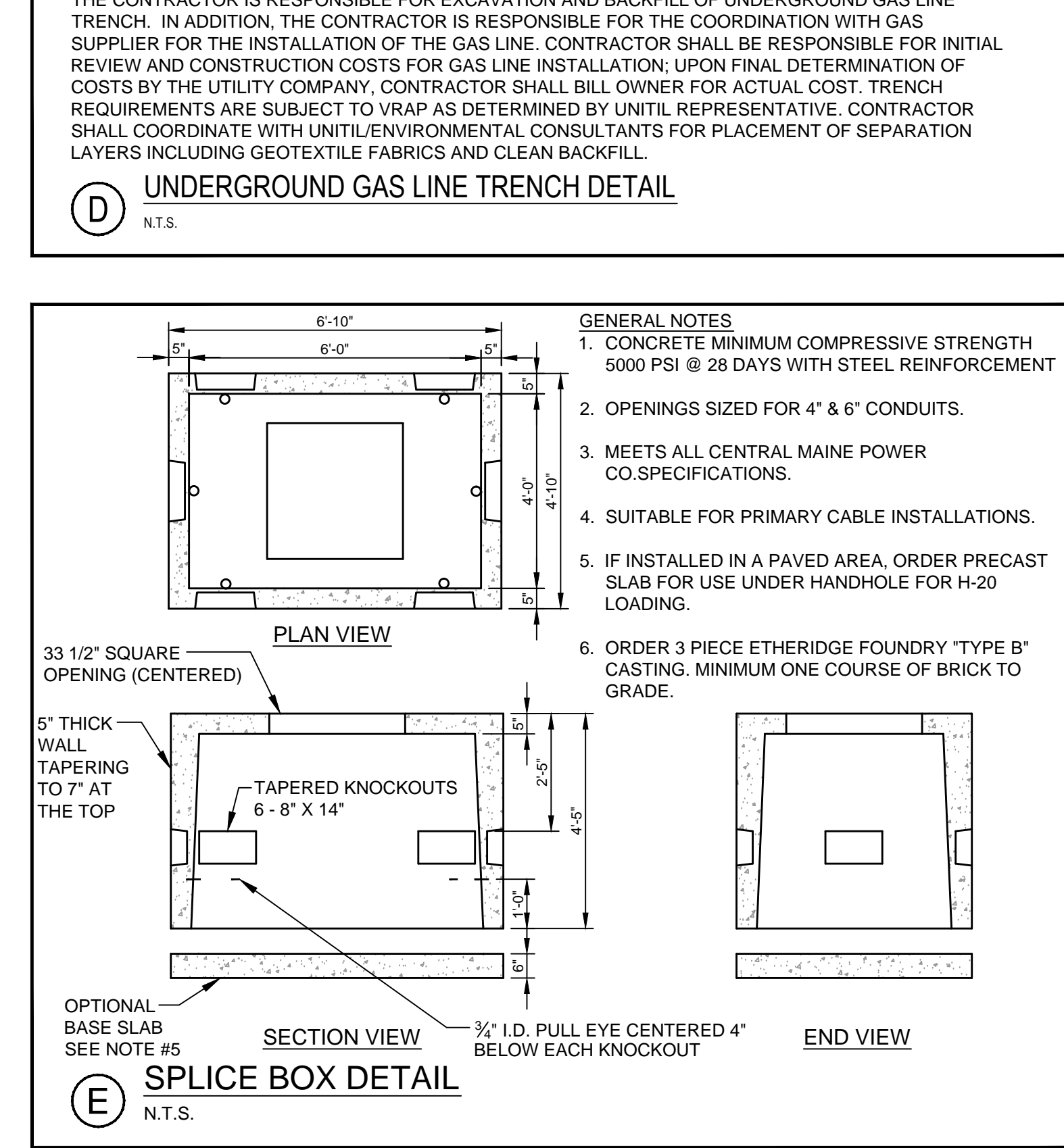
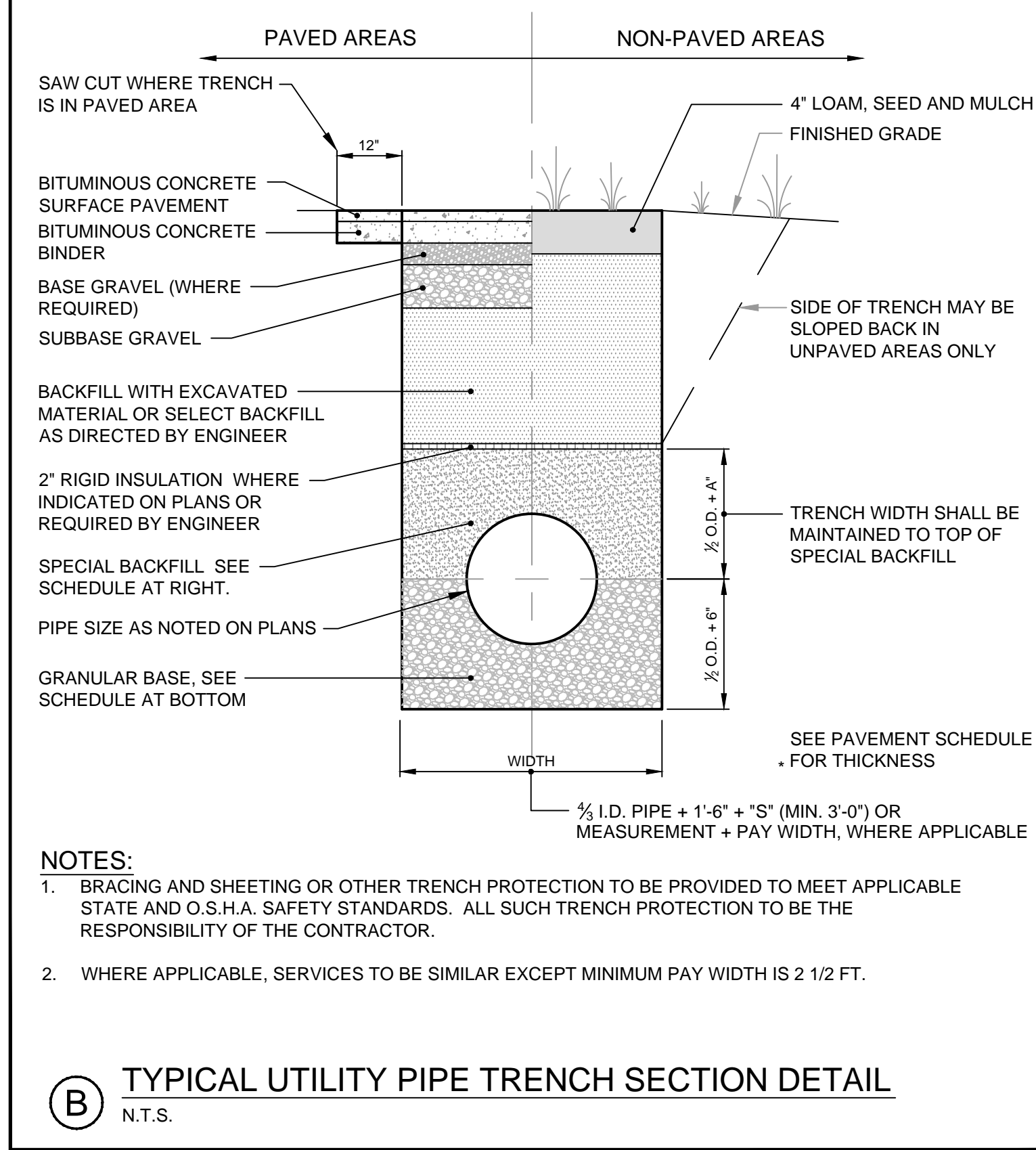
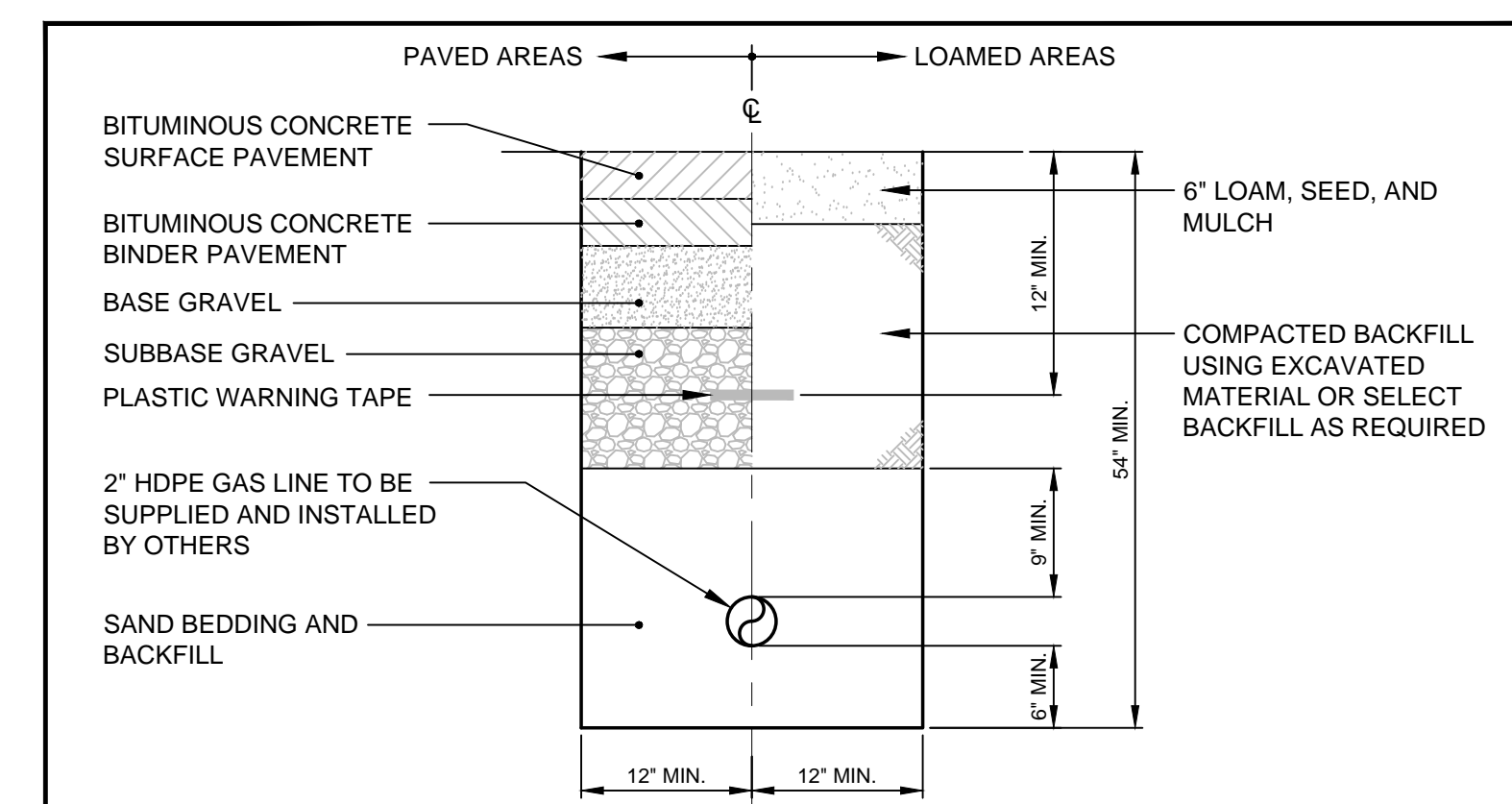


TRENCH SECTION BACKFILL SCHEDULE				
TYPE OF PIPE	GRANULAR BASE MATERIAL	SPECIAL BACKFILL	SPECIAL BACKFILL COVER "A" (IN)	SELECT BACKFILL
CONCRETE	GRANULAR AASHTO M145-49 A-3 OR BETTER	GRANULAR AASHTO M145-49 A-3 OR BETTER	12"	GRANULAR AASHTO M145-49 A-3 OR BETTER
PVC	3/4" CRUSHED STONE	GRANULAR AASHTO M145-49 A-3 OR BETTER	6"	GRANULAR AASHTO M145-49 A-3 OR BETTER
DUCTILE IRON	GRANULAR AASHTO M145-49 A-3 OR BETTER	GRANULAR AASHTO M145-49 A-3 OR BETTER	6"	GRANULAR AASHTO M145-49 A-3 OR BETTER
UNDER-DRAINS	3/4" CRUSHED STONE	3/4" CRUSHED STONE	6"	GRANULAR AASHTO M145-49 A-3 OR BETTER



		PROJECT CANAL LANDING AMENDED SITE PLAN PHASE III SHEET TITLE UTILITY DETAILS	FAY, SPOFFORD & THORNDIKE ENGINEERS - PLANNERS - SCIENTISTS 778 MAIN ST., SUITE 8, SOUTH PORTLAND, ME 04106
DRAWN: PBF DESIGNED: SRB CHECKED: SRB FILE NAME: 3091.04-DET SHEET	DATE: APRIL 2015 SCALE: AS SHOWN JOB NO. 3091.04	CLIENT CANAL LANDING LLC 100 WEST COMMERCIAL STREET PORTLAND, ME 04101	