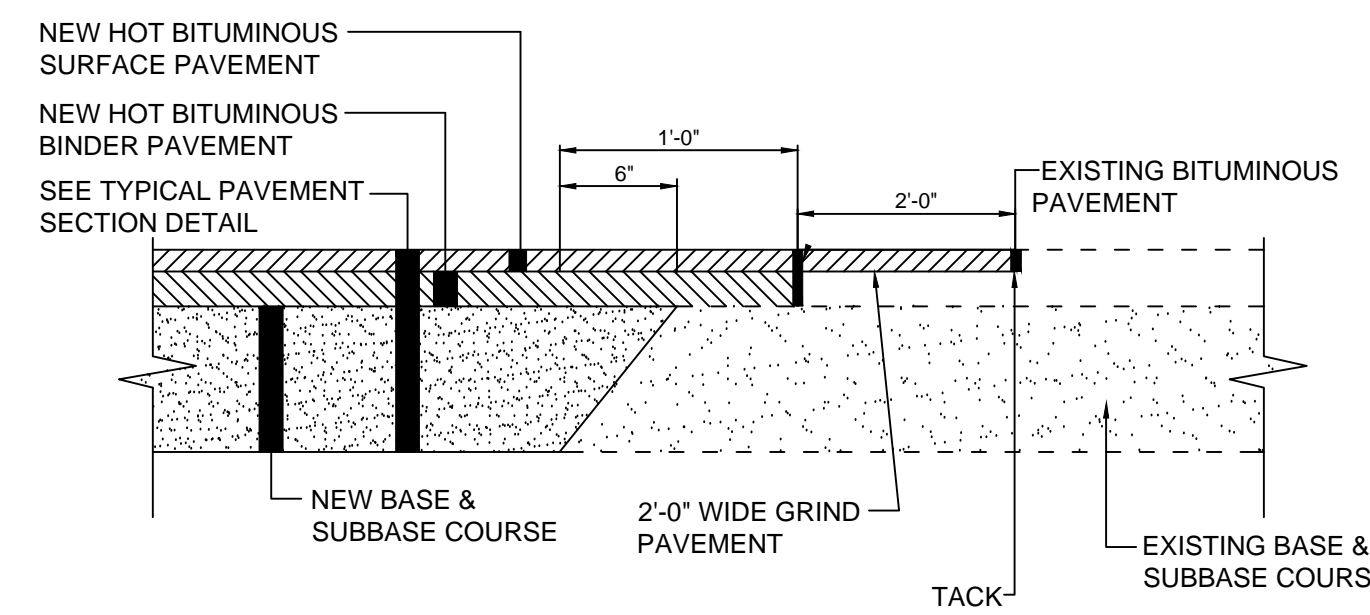


- NOTES:**
1. APPLY TACK COAT BETWEEN BINDER AND SURFACE COURSES.
 2. ALL MATERIALS SHALL CONFORM TO MDOT SPECIFICATIONS, LATEST REVISION. COMPACTION OF ALL MATERIALS TO BE IN ACCORDANCE WITH THE SPECIFICATIONS AND THE GEOTECHNICAL RECOMMENDATIONS.

HEAVY DUTY BITUMINOUS CONCRETE PAVEMENT SECTION

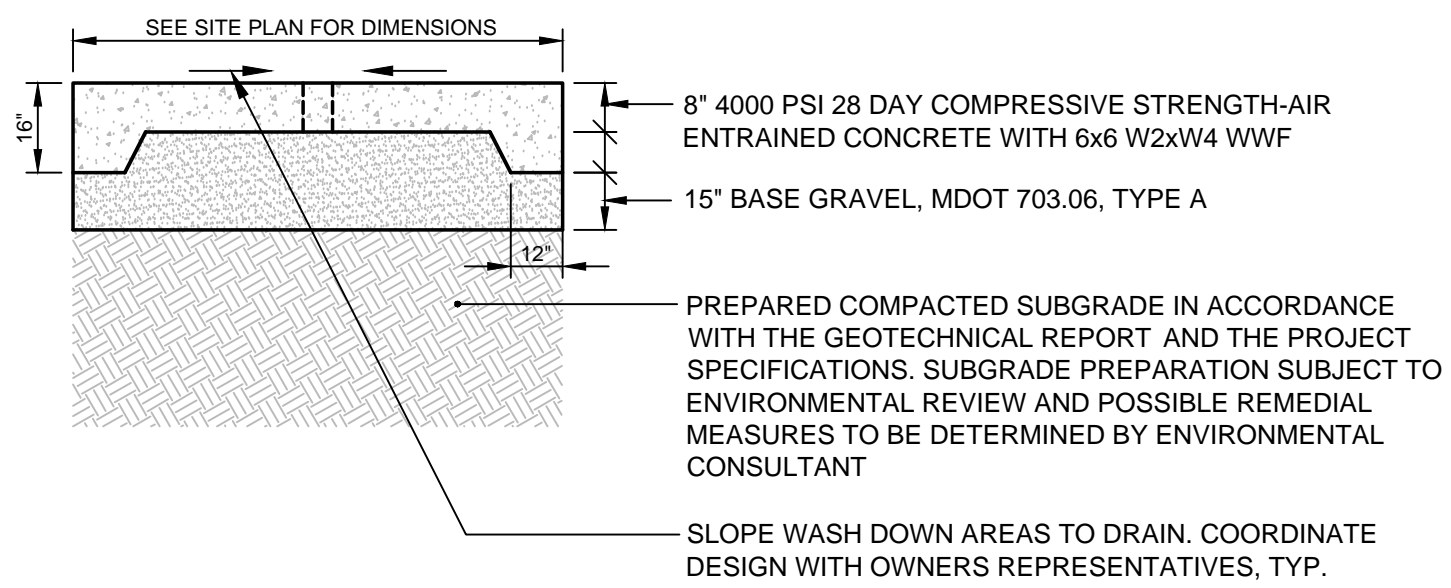
(A)
N.T.S.



- NOTES:**
1. USE THIS DETAIL FOR THE RADIUS FILLET AT THE DRIVEWAY ENTRANCE TO THE PUBLIC STREETS OR TO MATCH PARKING LOT/DRIVE PAVEMENTS WHERE WIDENING OF EXISTING PAVEMENT AREA IS REQUIRED.
 2. WHERE SURFACE PAVEMENT HAS NOT BEEN INSTALLED THE 2'-0" WIDE GRIND IS NOT REQUIRED.

PAVEMENT SAWCUT SECTION

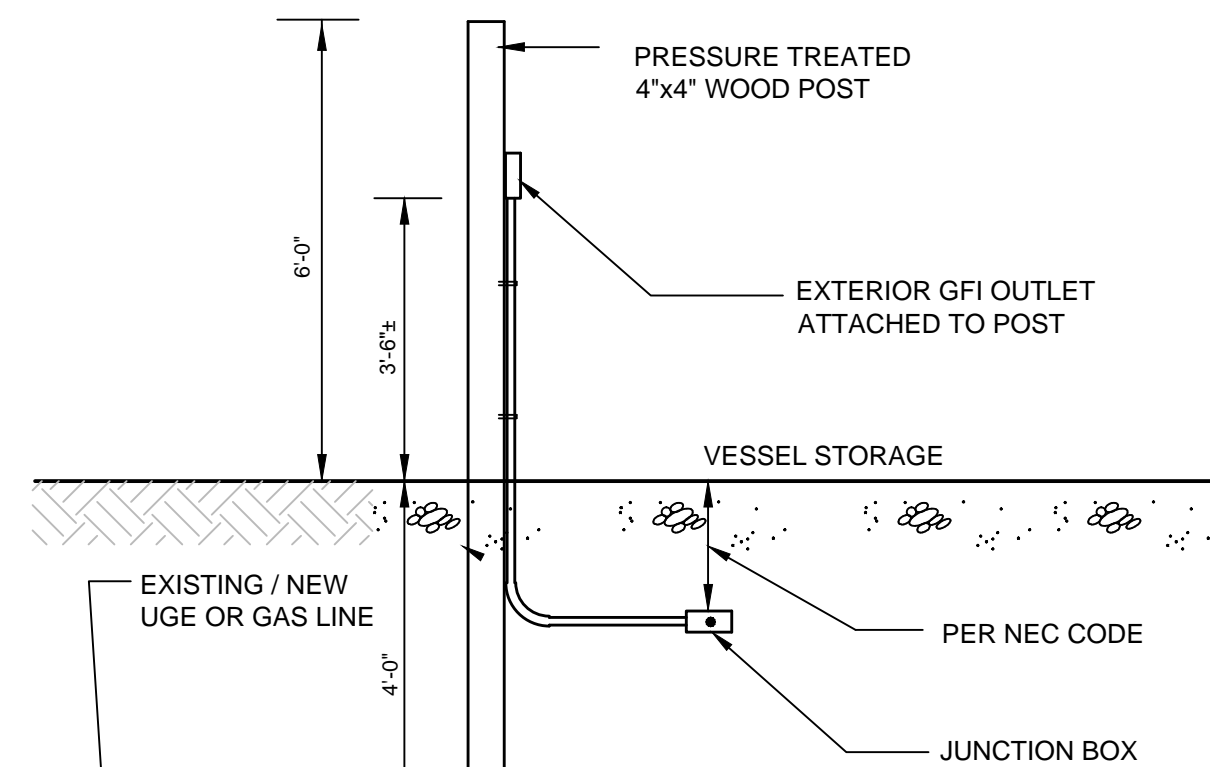
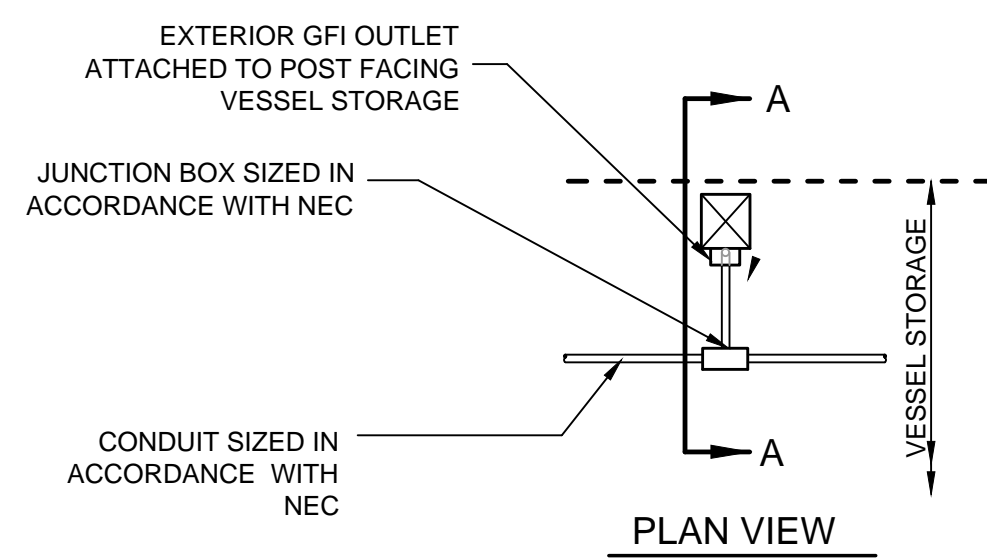
(D)
N.T.S.



- NOTE:**
- ALL MATERIALS SHALL CONFORM TO MDOT SPECIFICATIONS, LATEST REVISION. COMPACTION OF ALL MATERIALS TO BE IN ACCORDANCE WITH THE SPECIFICATIONS AND THE GEOTECHNICAL REPORT. (PENDING)

PORTLAND CEMENT CONCRETE SECTION FOR WASHDOWN AREAS

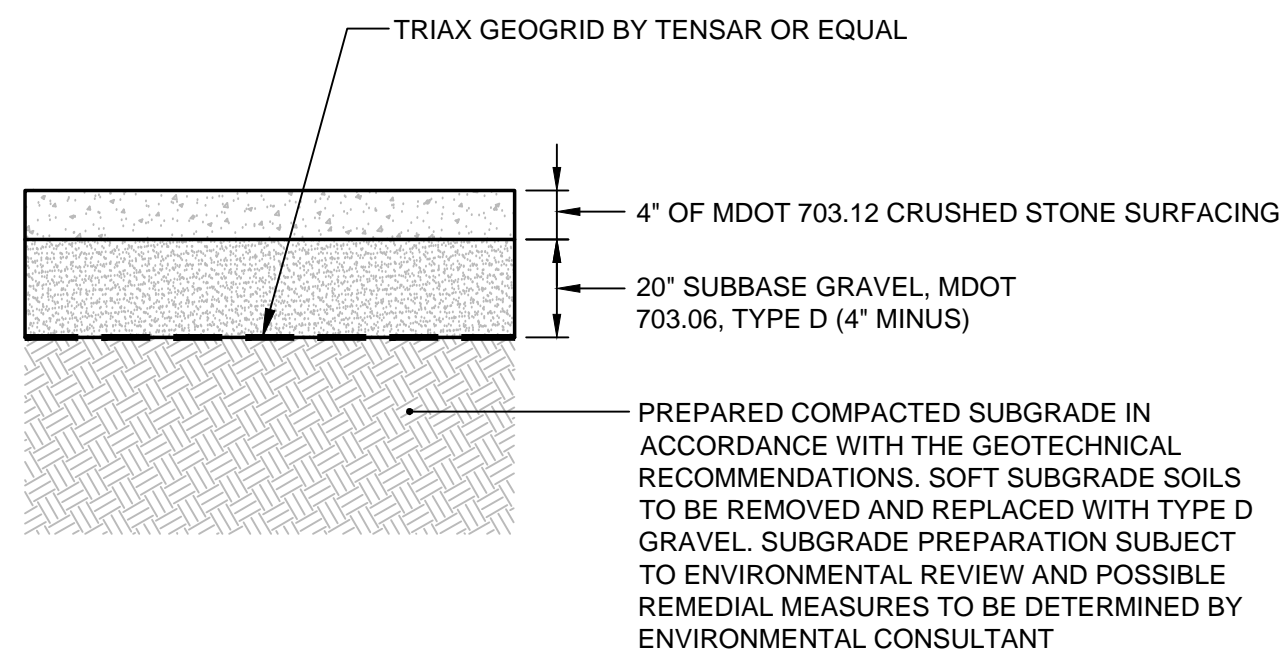
(B)
N.T.S.



1. THIS DETAIL IS INTENDED TO PROVIDE A SCHEMATIC REPRESENTATION OF THE POWER OUTLET. THE CONTRACTOR IS RESPONSIBLE FOR ALL EXCAVATION BEDDING AND BACKFILL REQUIRED FOR CONDUIT INSTALLATION. THE CONTRACTOR SHALL ALSO EXCAVATE AND BACKFILL FOR PRESSURE TREATED POST FOR THE POWER OUTLET. ADDITIONAL PANEL BOARD SHUT OFFS AND SUB PANELS MAY BE PROVIDED BY THE OWNER AS NECESSARY.
2. THE CONTRACTOR IS EXPECTED TO COORDINATE AND WORK COOPERATIVELY WITH THE OWNER AND OWNER'S ELECTRICIAN FOR THE PLACEMENT AND INSTALLATION OF ALL ONSITE ELECTRICAL COMPONENTS.

POWER OUTLET DETAIL

(E)
N.T.S.



- NOTES:**
- ALL MATERIALS SHALL CONFORM TO MDOT SPECIFICATIONS, LATEST REVISION. COMPACTION OF ALL MATERIALS TO BE IN ACCORDANCE WITH THE SPECIFICATIONS AND GEOTECHNICAL RECOMMENDATIONS.

BOAT YARD SURFACE SECTION

(C)
N.T.S.

			PROJECT CANAL LANDING AMENDED SITE PLAN PHASE III SHEET TITLE SITE DETAILS 2 OF 2	FAY, SPOFFORD & THORNDIKE ENGINEERS - PLANNERS - SCIENTISTS 778 MAIN ST., SUITE 8, SOUTH PORTLAND, ME 04106
1 REV DATE DESCRIPTION REVISIONS	05.22.15 PRELIMINARY PHASE III AMENDED SITE PLAN TO CITY OF PORTLAND	P. E. STEPHEN BUSHEY LIC. # 7429	CLIENT CANAL LANDING LLC 100 WEST COMMERCIAL STREET PORTLAND, ME 04101	DRAWN: PBF DESIGNED: SRB CHECKED: SRB FILE NAME: 3091.04-DET SHEET C-8.1
			DATE: APRIL 2015 SCALE: AS SHOWN JOB NO. 3091.04	