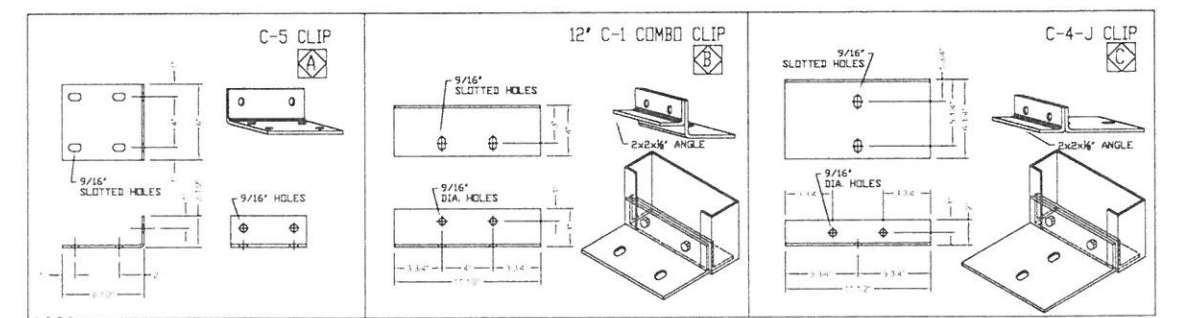


QTY	PART MARK	DESCRIP	LENGTH
5	G21	12Z35 12	32' 7"
8	G22	12Z35 12	23' 11-1/2"
9	G23	12Z35 12	5' 2-1/2"
5	G24	12Z35 12	11' 11-1/2"
4	G25	12Z35 12	14' 8"
5	G26	12Z35 12	32' 1-1/2"
10	G27	12Z35 12	34' 3-1/2"
5	G28	12Z35 12	33' 3-1/2"
10	G29	12Z35 12	10' 10"
4	G30	12Z35 12	5' 7"
4	G31	12Z35 12	1' 7"
5	G52	12Z35 12	3' 2-1/2"
5	G53	12Z35 12	7' 2-1/2"
1	G54	12Z35 12	3' 9"
1	G51	12Z35 12	19' 11-1/2"
8	J7	12C35 12	30' 5-3/16"
4	J8	12C35 12	22' 10-1/2"
2	J9	12C25 12	30' 5-3/16"
1	H8	12C35 12	19' 11-1/2"
4	H3	12C35 12	23' 11-1/2"

QTY	PART MARK	DESCRIP	LENGTH
8	PFC3	WEB: 14-3/4" X 3/16" FLG.: 8" X 5/8"	29' 10-5/8"
4	PFR2	WEB: 15" X 3/16" FLG.: 8" X 1/2"	27' 3-11/16"

QTY	PART MARK	DESCRIP	LENGTH
3	BC1	12C25 16	29' 11-1/2"
1	BC2	12C25 16	31' 1-1/2"
2	BC3	12C25 16	8' 9"
1	BC4	12C25 16	14' 8"
2	BC5	12C25 16	5' 4-1/2"
1	BC6	12C25 16	32' 8"
1	BC7	12C25 16	1' 8"
1	BC8	12C25 16	5' 8"
1	BC25	12C25 16	3' 4-1/2"
1	BC26	12C25 16	7' 4-1/2"
2	H4	12C25 12	23' 11-1/2"



STATE OF MAINE  
 STEPHEN JON REIFENBERG  
 NO. 4763 LICENSED PROFESSIONAL ENGINEER  
 9/17/14

ERECTION REQUIRES MINOR ADJUSTMENTS

ESSEX STRUCTURAL STEEL CO., INC.  
 CORTLAND, NEW YORK 13045

REVISIONS	PROJECT:
	CANAL LANDING
	100 WEST COMMERCIAL STREET
	PORTLAND, MAINE 04101
	CONTRACTOR: IRISHSPAN INDUSTRIES
	PROJECT NO.: S-1468
	TITLE: SIDEWALL FRAMING PLAN
	SHEET: 5
	DRAWN BY: JCK
	DATE: 7/1/14
	SCALE: D.N.S.