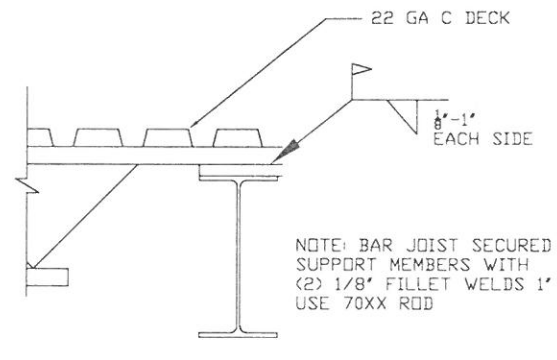
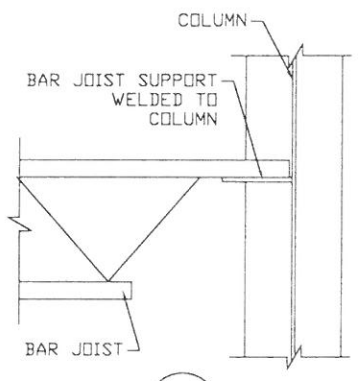


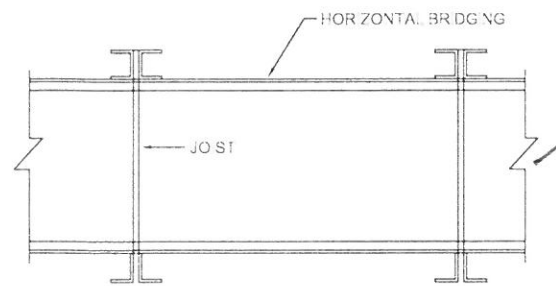
D SECTION  
3F

E SECTION  
3F



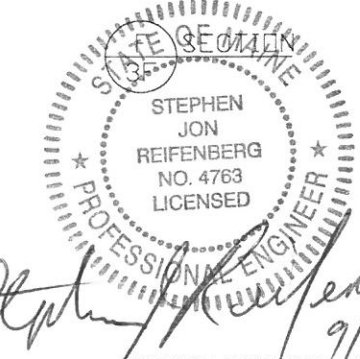
A DETAIL  
3F

B DETAIL  
3F



C SECTION  
3F

NOTES:  
1. FIELD WELD BRDG'NG TO TOP AND BOTTOM CHORD  
2. DO NOT WELD BRDG'NG TO WEB MEMBERS



BAR JOISTS			
QTY	PARTMARK	LENGTH	DESCRIPTION
1	FJ1	28' 9-1/4"	18K10
13	FJ2	30' 2-1/2"	18K10
9	FJ3	24' 8-1/4"	18K4
2	FJ4	6' 2-1/2"	2.5K3
2	FJ5	7' 3-1/2"	2.5K3

MEZZANINE GAGS:  
LIVE LOAD: 25 P.S.F.  
DEAD LOAD: 15 P.S.F.  
COLLATERAL LOAD: 10 P.S.F.  
NOTES:  
1. STARS AND RAIS BY OTHERS  
2. 3/4" PLYWOOD FLOOR (BY OTHERS)  
3. FIELD WELD JOISTS TO BEAMS

ERECTION REQUIRES MINOR ADJUSTMENTS

ESSEX STRUCTURAL STEEL CO., INC.  
CORTLAND, NEW YORK 13045

REVISIONS		PROJECT:		SHEET:
		CANAL LANDING	100 WEST COMMERCIAL STREET	
			PORTLAND, MAINE 04101	
		CONTRACTOR:	IRISHSPAN INDUSTRIES	
		PROJECT NO.:	S-1468	
		TITLE:	FRAME CROSS SECTION	
		DRAWN BY:	JCK	
		DATE:	7/1/14	
		SCALE:	D.N.S.	