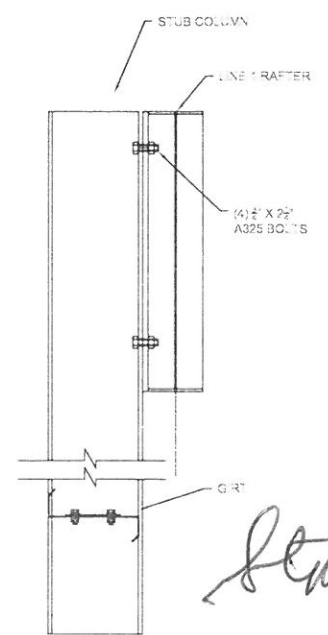


Main Frame ELEVATION: FRAME LINE 6  
 NOTE: TOP OF CRANE SEAT TO BE VERIFIED  
 CRANE RUNWAY BEAMS & BOLTS BY OTHERS

Mark	Web Depth		Web Plate		Outside Flange		Inside Flange	
	Start/End	Thick	Length	W x Tnx x Length	W x Tnx x Length	W x Tnx x Length	W x Tnx x Length	
MFC5	11.0/16.2	0.179	120.5	8 x 5/16" x 120.5	8 x 5/16" x 120.6	8 x 3/8" x 75.0	8 x 3/8" x 228.7	
	16.2/21.4	0.179	120.5	8 x 3/8" x 75.0	8 x 3/8" x 228.7	8 x 3/8" x 37.6	8 x 5/16" x 127.2	
	21.4/26.0	0.250	111.2	8 x 5/16" x 127.2	6 x 1/4" x 40.0	6 x 1/4" x 472.4	6 x 3/8" x 107.6	
	26.0/26.0	0.250	24.0	6 x 1/4" x 40.0	6 x 1/4" x 300.8	6 x 1/4" x 72.1	6 x 5/16" x 72.1	
	26.0/26.0	0.179	107.8	6 x 3/8" x 247.8	6 x 3/8" x 20.0	6 x 3/8" x 20.0	6 x 1/2" x 27.8	
MFR*1	26.0/26.0	0.179	120.5	6 x 5/8" x 20.0	6 x 5/8" x 20.0	6 x 1/2" x 20.2	6 x 5/16" x 120.0	
	26.0/26.0	0.179	107.8	6 x 1/2" x 20.2	6 x 3/8" x 112.2	6 x 3/8" x 112.2	6 x 3/8" x 112.2	
	26.0/26.0	0.179	24.0	6 x 3/8" x 247.8	6 x 3/8" x 20.0	6 x 3/8" x 20.0	6 x 5/16" x 120.0	
	26.0/26.0	0.224	120.5	6 x 5/8" x 20.0	6 x 5/8" x 20.0	6 x 1/2" x 20.2	6 x 5/16" x 120.0	
	26.0/26.0	0.179	107.8	6 x 1/2" x 20.2	6 x 3/8" x 112.2	6 x 3/8" x 112.2	6 x 3/8" x 112.2	
MFR*2	26.0/26.0	0.224	120.5	6 x 5/8" x 20.0	6 x 5/8" x 20.0	6 x 1/2" x 20.2	6 x 5/16" x 120.0	
	26.0/26.0	0.224	102.8	6 x 1/2" x 20.2	6 x 3/8" x 112.2	6 x 3/8" x 112.2	6 x 3/8" x 112.2	
	26.0/26.0	0.224	24.0	6 x 3/8" x 247.8	6 x 3/8" x 20.0	6 x 3/8" x 20.0	6 x 5/16" x 120.0	
	26.0/26.0	0.224	120.5	6 x 5/8" x 20.0	6 x 5/8" x 20.0	6 x 1/2" x 20.2	6 x 5/16" x 120.0	
	26.0/26.0	0.179	107.8	6 x 1/2" x 20.2	6 x 3/8" x 112.2	6 x 3/8" x 112.2	6 x 3/8" x 112.2	
MFR*4	26.0/26.0	0.179	120.2	6 x 5/8" x 20.0	6 x 5/8" x 20.0	6 x 1/2" x 20.2	6 x 5/16" x 120.0	
	26.0/26.0	0.224	120.0	6 x 5/16" x 120.0	6 x 3/8" x 112.2	6 x 3/8" x 112.2	6 x 3/8" x 112.2	
	26.0/26.0	0.250	24.0	6 x 3/8" x 247.8	6 x 3/8" x 20.0	6 x 3/8" x 20.0	6 x 5/16" x 120.0	
	26.0/26.0	0.250	103.8	6 x 3/8" x 27.8	6 x 5/8" x 27.8	6 x 5/8" x 27.8	6 x 5/8" x 27.8	
	26.0/26.0	0.313	24.0	6 x 1/2" x 24.9	6 x 1/2" x 24.9	6 x 1/2" x 24.9	6 x 1/2" x 24.9	
MFR*3	26.0/26.0	0.179	59.5	6 x 1/4" x 467.5	6 x 1/4" x 421.0	6 x 1/4" x 421.0	6 x 5/16" x 54.5	
	26.0/26.0	0.179	120.5	6 x 1/4" x 467.5	6 x 1/4" x 421.0	6 x 1/4" x 421.0	6 x 5/16" x 54.5	
	26.0/26.0	0.179	120.5	6 x 1/4" x 467.5	6 x 1/4" x 421.0	6 x 1/4" x 421.0	6 x 5/16" x 54.5	
	26.0/26.0	0.179	20.5	6 x 1/4" x 467.5	6 x 1/4" x 421.0	6 x 1/4" x 421.0	6 x 5/16" x 54.5	
	26.0/26.0	0.250	54.5	6 x 1/4" x 467.5	6 x 1/4" x 421.0	6 x 1/4" x 421.0	6 x 5/16" x 54.5	
VFC6	26.0/26.0	0.250	24.0	6 x 1/4" x 40.0	8 x 3/8" x 108.4	8 x 3/8" x 108.4	8 x 5/16" x 241.2	
	26.0/21.3	0.250	111.5	8 x 5/16" x 368.5	8 x 5/16" x 241.2	8 x 5/16" x 241.2	8 x 5/16" x 241.2	
	21.3/16.2	0.179	120.5	8 x 5/16" x 368.5	8 x 5/16" x 241.2	8 x 5/16" x 241.2	8 x 5/16" x 241.2	
	16.2/11.0	0.179	120.5	8 x 5/16" x 368.5	8 x 5/16" x 241.2	8 x 5/16" x 241.2	8 x 5/16" x 241.2	
	11.0/16.2	0.179	120.5	8 x 5/16" x 368.5	8 x 5/16" x 241.2	8 x 5/16" x 241.2	8 x 5/16" x 241.2	
EWC5	W4X6							
MF16	W4X99							
MF17	W4X82							
EWC7	W4X43							
EWC6	W4X43							
DS7-8	W10X26							



A SECTION  
 3C

STATE OF MAINE  
 STEPHEN  
 JON  
 REIFENBERG  
 NO. 4763  
 LICENSED  
 PROFESSIONAL ENGINEER  
*Stephen Reifenberg*  
 9/17/14

FLANGE BRACE TABLE				
PARTMARK	LENGTH	PLACEMENT	QTY/FRAME	QTY/BLDG
3-FB 1	2'-11"	NS/FS	1	1
3-FB 2	3'-0"-15/16"	NS/FS	1	1
3-FB 3	3'-4"-3/8"	NS/FS	17	17
3-FB 4	3'-4"-11/16"	NS/FS	1	1

ALL FLANGE BRACING - L2X2X1/8

ERECTOR REQUIRES MINOR ADJUSTMENTS				
ESSEX STRUCTURAL STEEL CO., INC. CORTLAND, NEW YORK 13045				
REVISIONS	PROJECT:	CANAL LANDING 100 WEST COMMERCIAL STREET PORTLAND, MAINE 04101		
	CONTRACTOR:	IRISHSPAN INDUSTRIES		
	PROJECT NO.:	S-1468		
	TITLE:	FRAME CROSS SECTION		
	DRAWN BY:	JCK	DATE:	7/1/14
			SCALE:	D.N.S.
				SHEET: 3C