

FIG. 505.4.
HANDRAIL HEIGHT
(A) STAIRS
(B) RAMPS

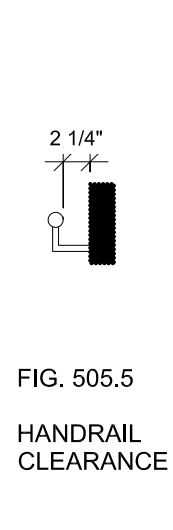


FIG. 505.5
HANDRAIL CLEARANCE

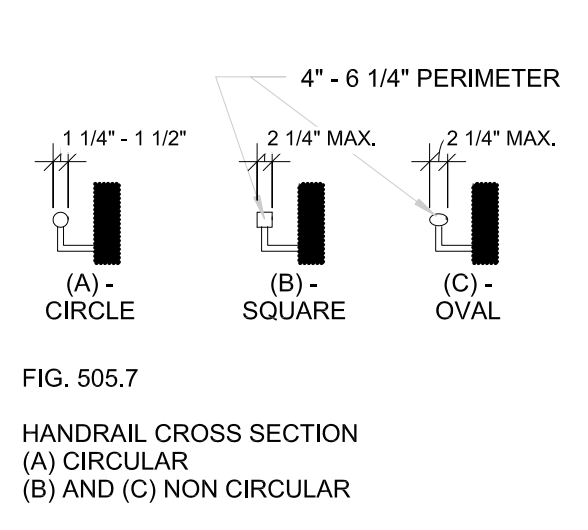


FIG. 505.7
HANDRAIL CROSS SECTION
(A) CIRCULAR
(B) AND (C) NON CIRCULAR

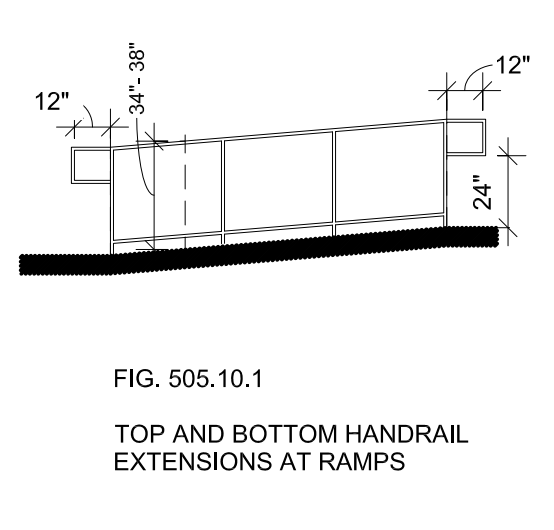


FIG. 505.10.1
TOP AND BOTTOM HANDRAIL
EXTENSIONS AT RAMPS

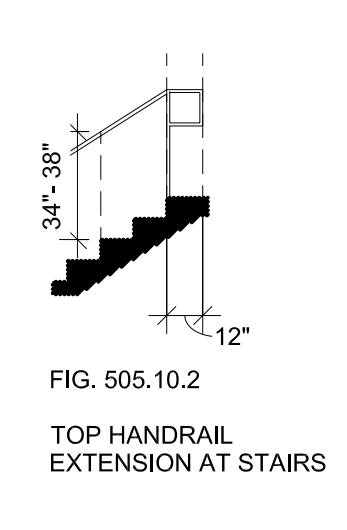


FIG. 505.10.2
TOP HANDRAIL
EXTENSION AT STAIRS

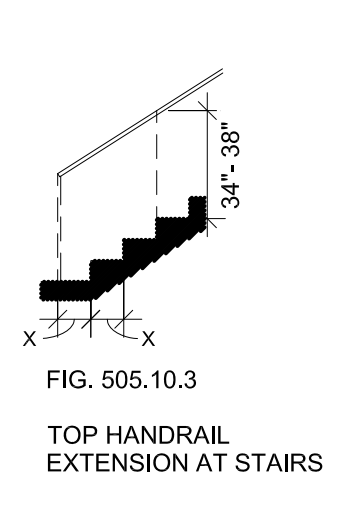


FIG. 505.10.3
TOP HANDRAIL
EXTENSION AT STAIRS

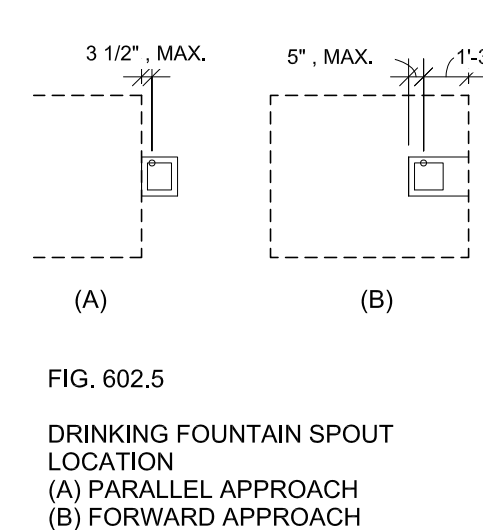


FIG. 602.5
DRINKING FOUNTAIN SPOUT
LOCATION
(A) PARALLEL APPROACH
(B) FORWARD APPROACH

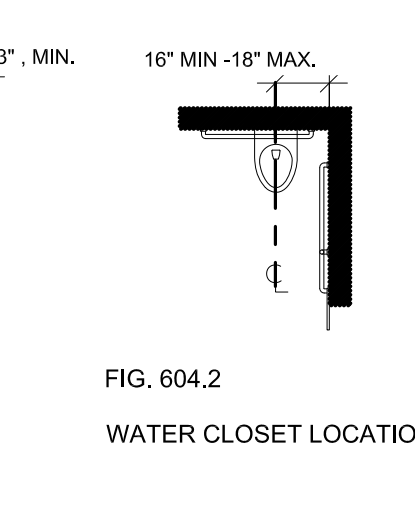


FIG. 604.2
WATER CLOSET LOCATION

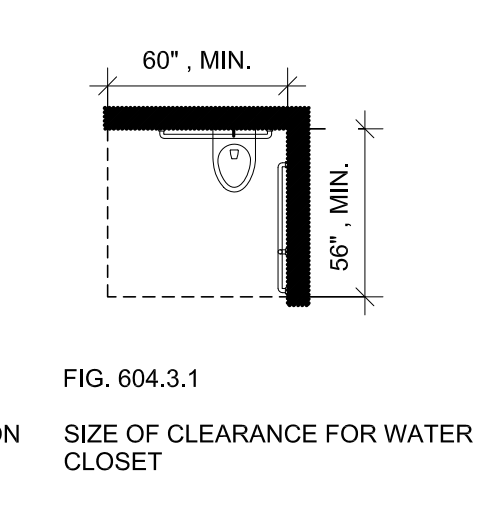


FIG. 604.3.1
SIZE OF CLEARANCE FOR WATER
CLOSET

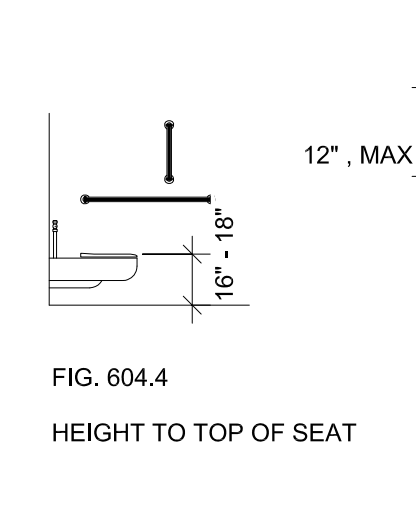


FIG. 604.4
HEIGHT TO TOP OF SEAT

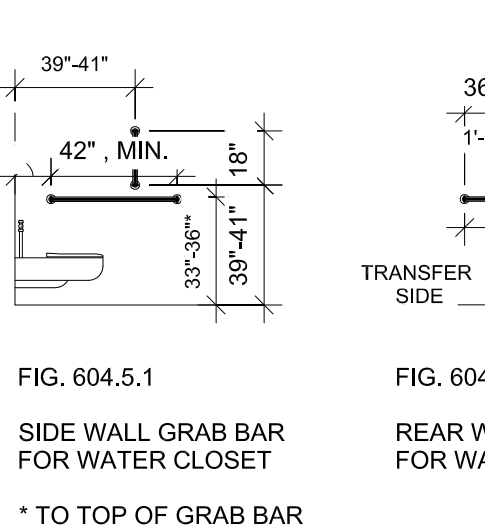


FIG. 604.5.1
SIDE WALL GRAB BAR
FOR WATER CLOSET
* TO TOP OF GRAB BAR

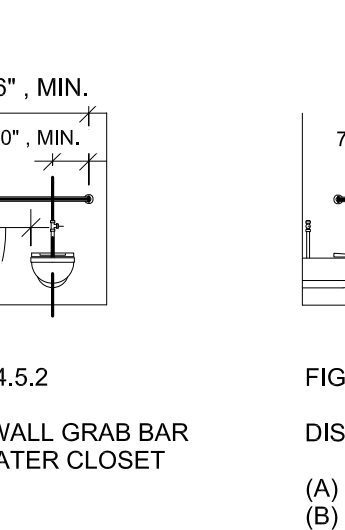


FIG. 604.5.2
REAR WALL GRAB BAR
FOR WATER CLOSET

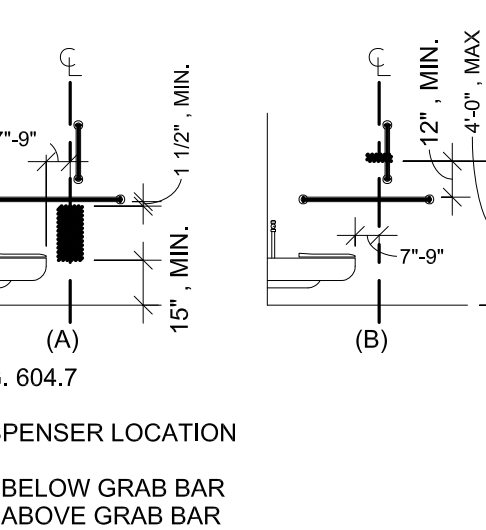


FIG. 604.7
DISPENSER LOCATION
(A) BELOW GRAB BAR
(B) ABOVE GRAB BAR

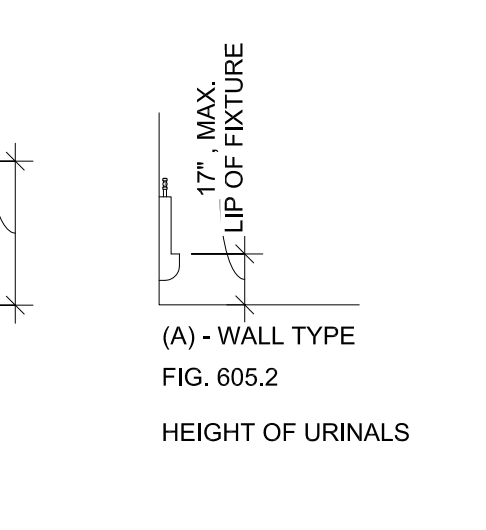


FIG. 605.2
HEIGHT OF URINALS

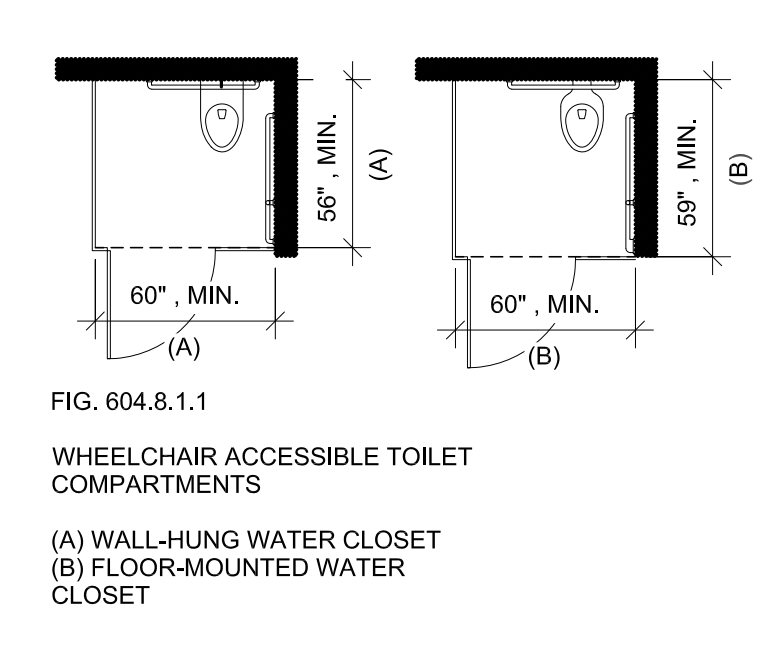


FIG. 604.8.1.1
WHEELCHAIR ACCESSIBLE TOILET
COMPARTMENTS
(A) WALL-HUNG WATER CLOSET
(B) FLOOR-MOUNTED WATER
CLOSET

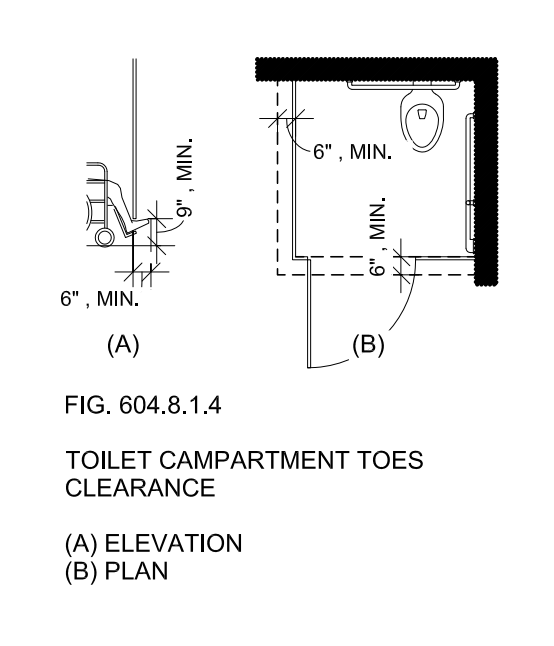


FIG. 604.8.1.4
TOILET COMPARTMENT TOES
CLEARANCE
(A) ELEVATION
(B) PLAN

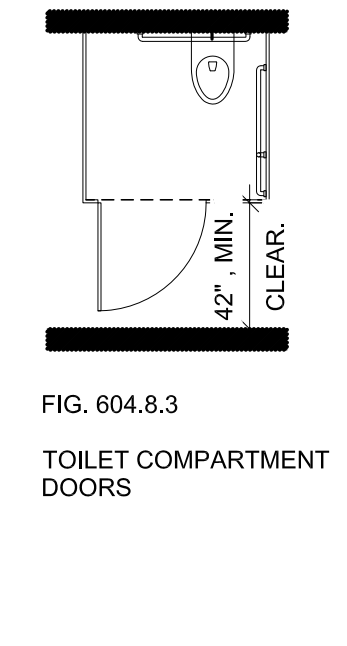


FIG. 604.8.3
TOILET COMPARTMENT
DOORS

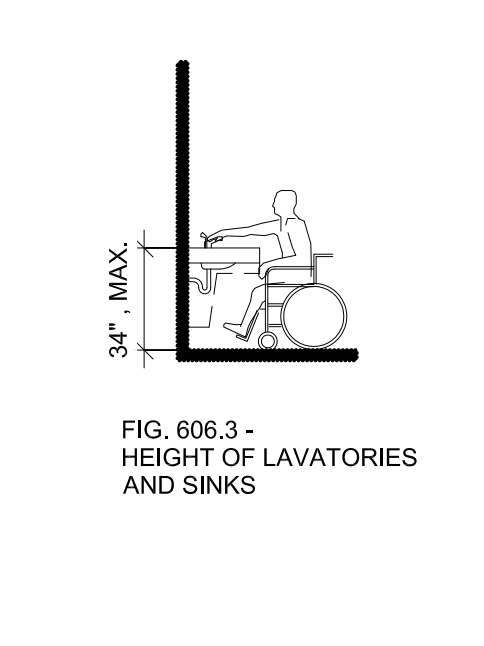


FIG. 606.3
HEIGHT OF LAVATORIES
AND SINKS

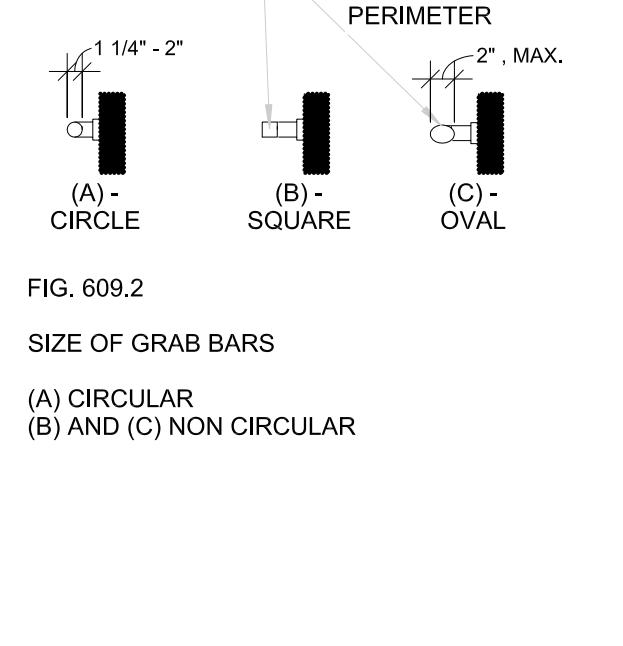


FIG. 609.2
SIZE OF GRAB BARS
(A) CIRCULAR
(B) AND (C) NON CIRCULAR

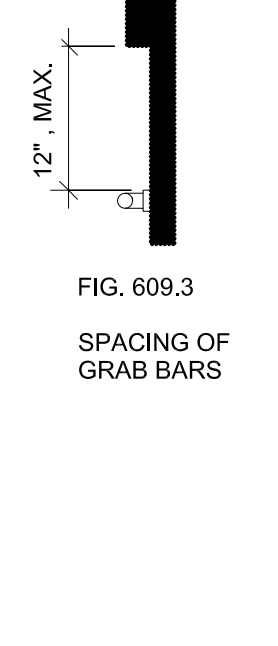


FIG. 609.3
SPACING OF
GRAB BARS

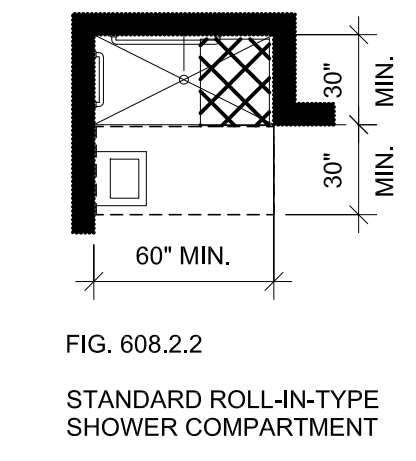


FIG. 608.2.2
STANDARD ROLL-IN-TYPE
SHOWER COMPARTMENT

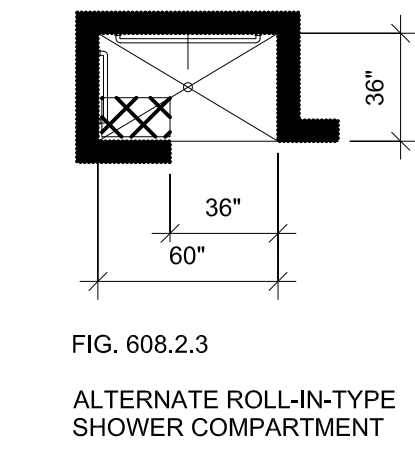


FIG. 608.2.3
ALTERNATE ROLL-IN-TYPE
SHOWER COMPARTMENT

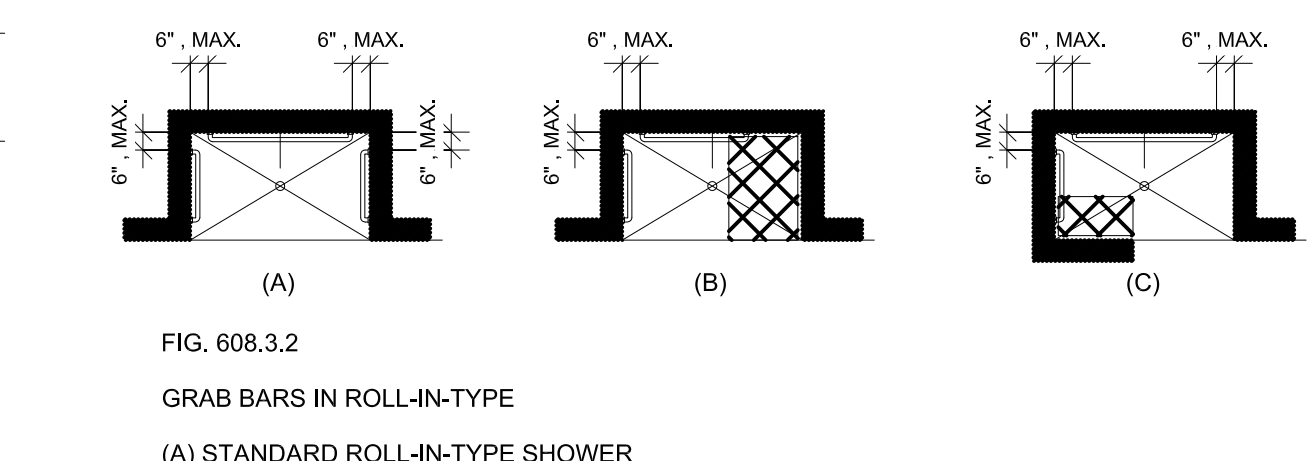


FIG. 608.3.2
GRAB BARS IN ROLL-IN-TYPE
(A) STANDARD ROLL-IN-TYPE SHOWER
(B) ROLL-IN-TYPE SHOWER WITH SEAT
(C) ALTERNATE ROLL-IN TYPE SHOWER

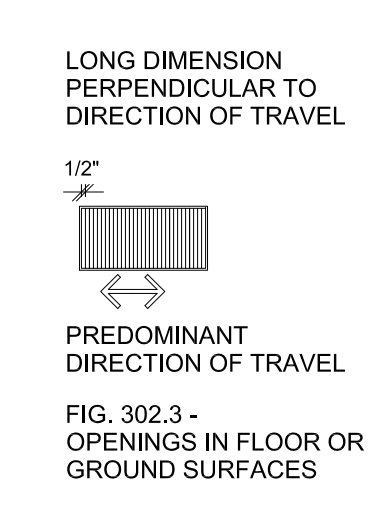


FIG. 302.3 -
OPENINGS IN FLOOR OR
GROUND SURFACES

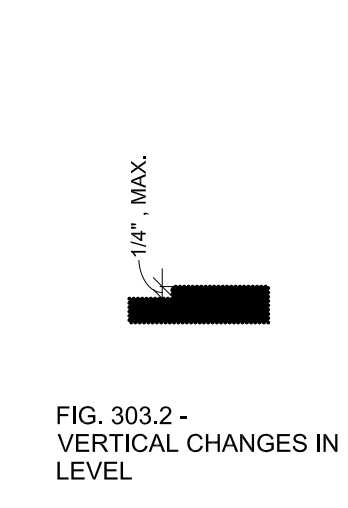


FIG. 303.2 -
VERTICAL CHANGES IN
LEVEL

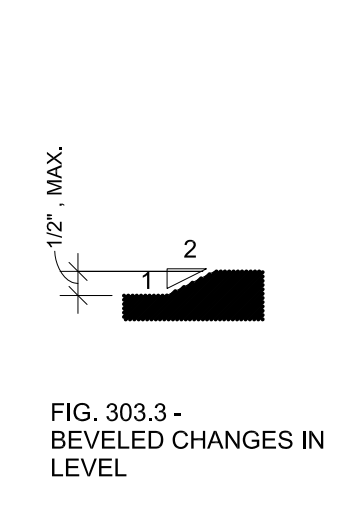


FIG. 303.3 -
BEVELED CHANGES IN
LEVEL

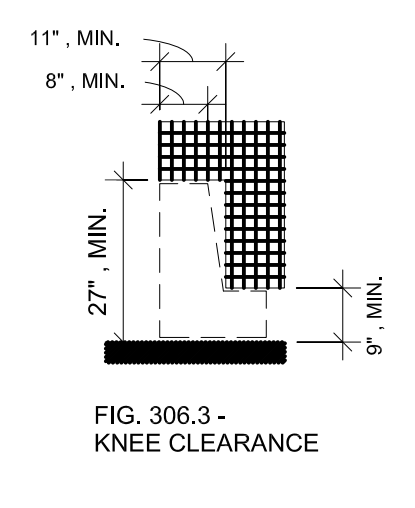


FIG. 306.3 -
KNEE CLEARANCE

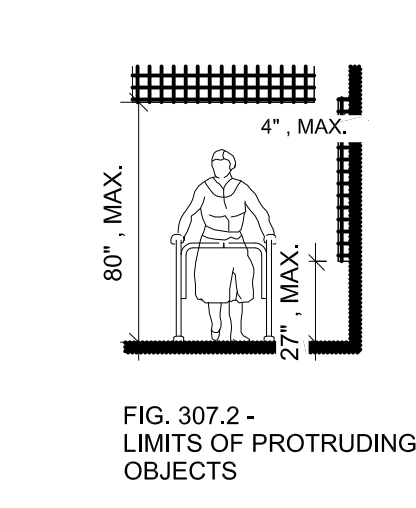


FIG. 307.2 -
LIMITS OF PROTRUDING
OBJECTS

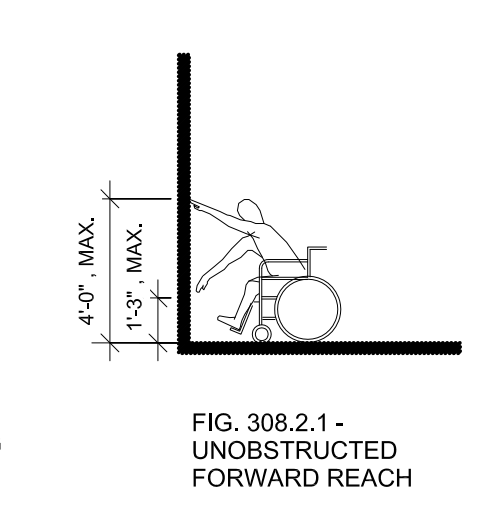


FIG. 308.2.1 -
UNOBSTRUCTED
FORWARD REACH

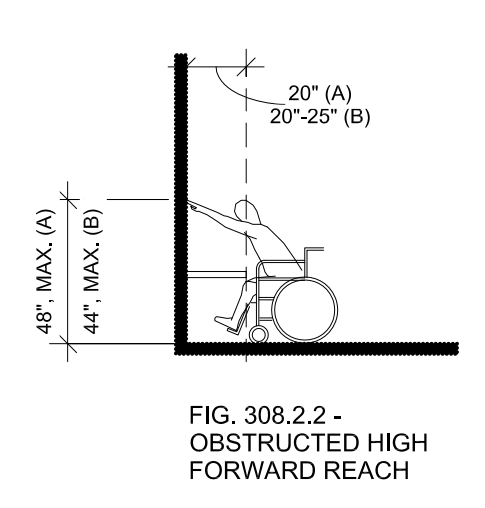


FIG. 308.2.2 -
OBSTRUCTED HIGH
FORWARD REACH

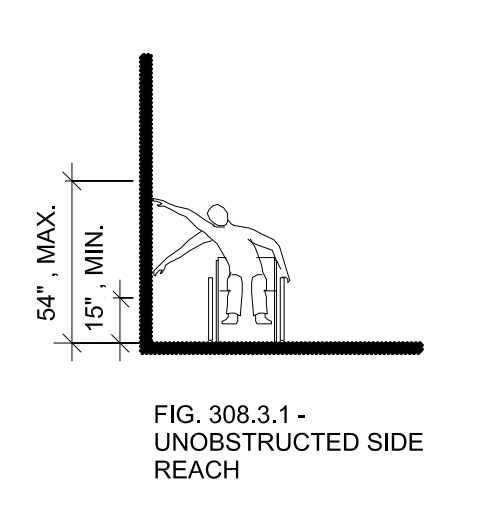


FIG. 308.3.1 -
UNOBSTRUCTED SIDE
REACH

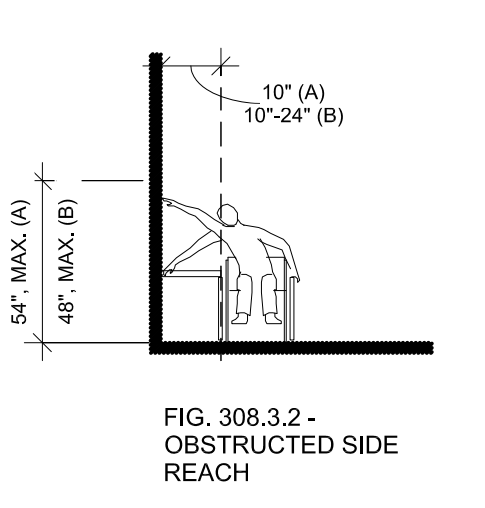
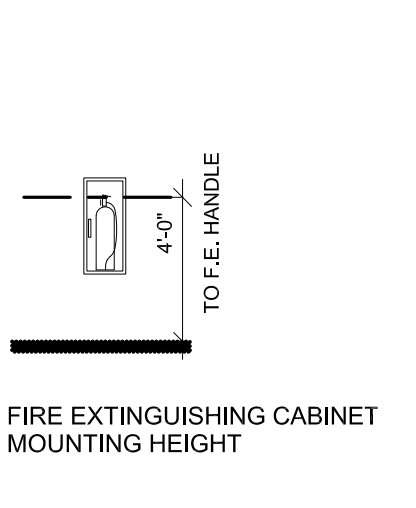


FIG. 308.3.2 -
OBSTRUCTED SIDE
REACH



FIRE EXTINGUISHING CABINET
MOUNTING HEIGHT

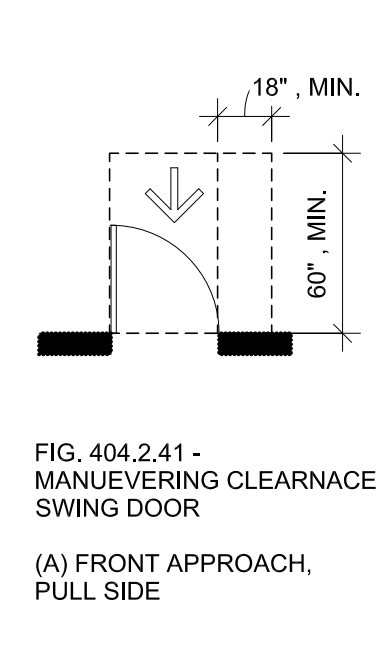
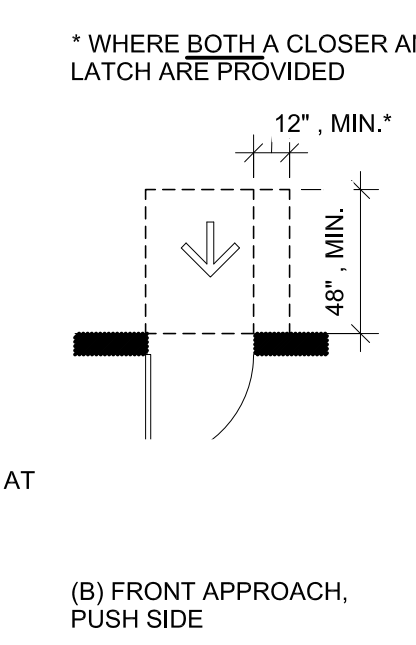
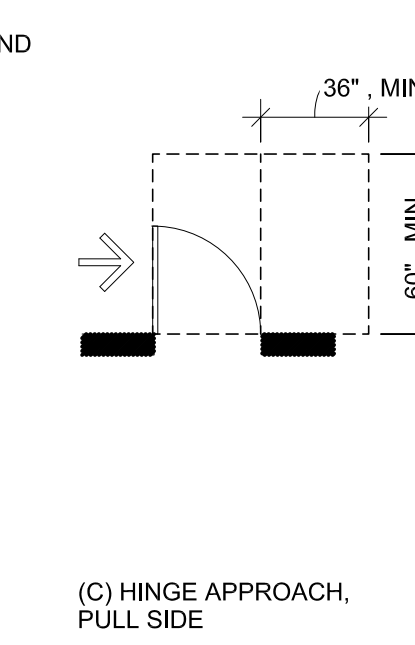


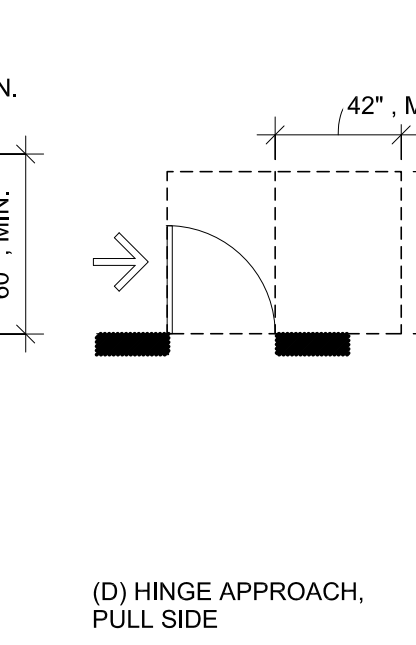
FIG. 404.2.41 -
MANEUVERING CLEARANCE AT
SWING DOOR
(A) FRONT APPROACH,
PULL SIDE



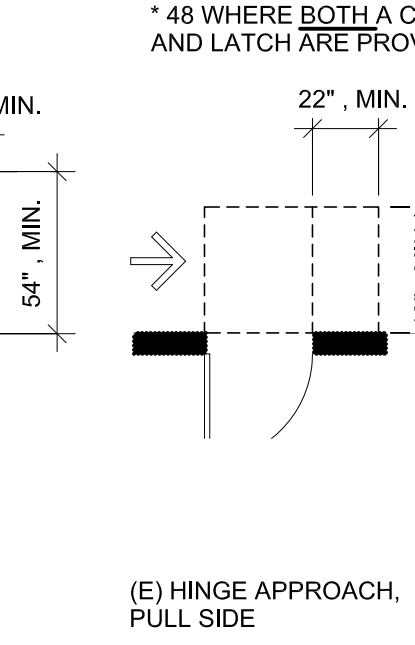
(B) FRONT APPROACH,
PUSH SIDE



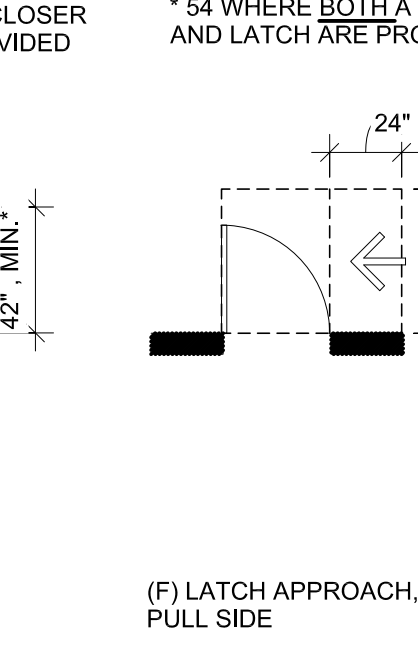
(C) HINGE APPROACH,
PULL SIDE



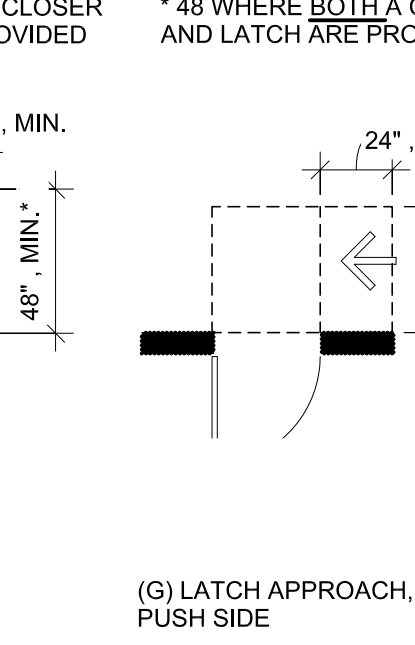
(D) HINGE APPROACH,
PUSH SIDE



(E) HINGE APPROACH,
PULL SIDE



(F) LATCH APPROACH,
PULL SIDE



(G) LATCH APPROACH,
PUSH SIDE

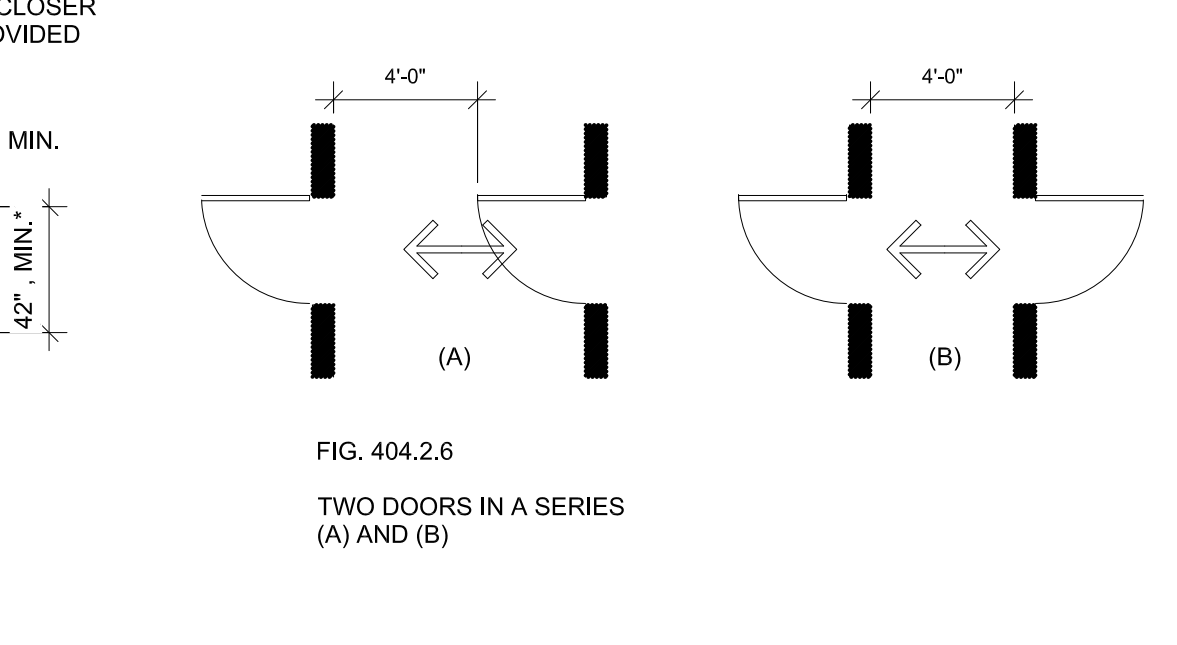


FIG. 404.2.6
TWO DOORS IN A SERIES
(A) AND (B)

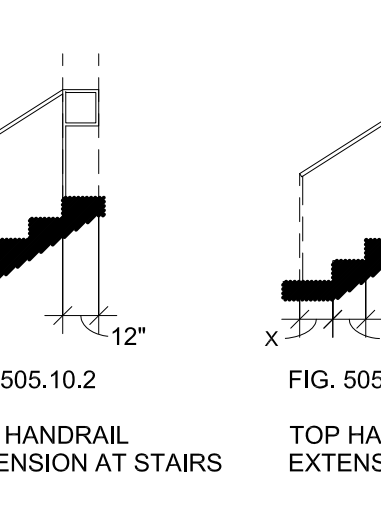


FIG. 404.2.6
TWO DOORS IN A SERIES
(A) AND (B)

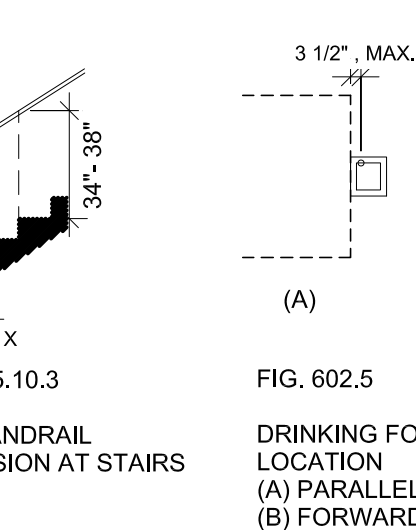


FIG. 404.2.6
TWO DOORS IN A SERIES
(A) AND (B)

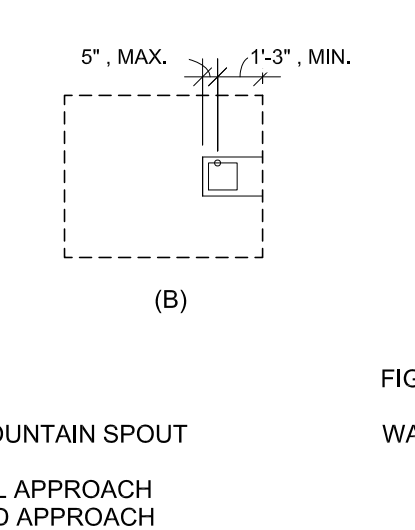


FIG. 404.2.6
TWO DOORS IN A SERIES
(A) AND (B)

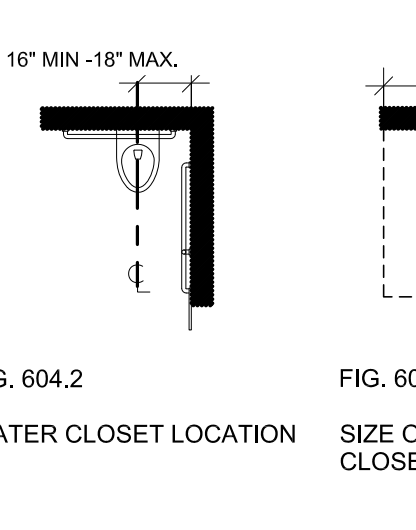


FIG. 404.2.6
TWO DOORS IN A SERIES
(A) AND (B)

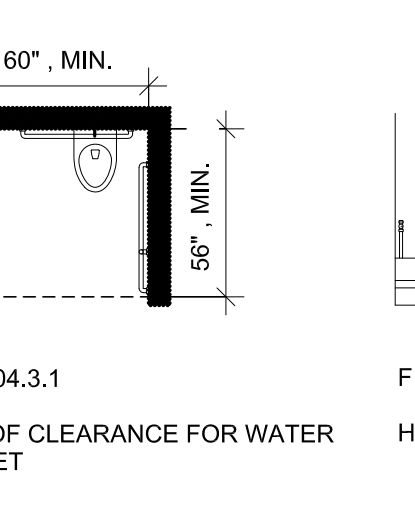


FIG. 404.2.6
TWO DOORS IN A SERIES
(A) AND (B)

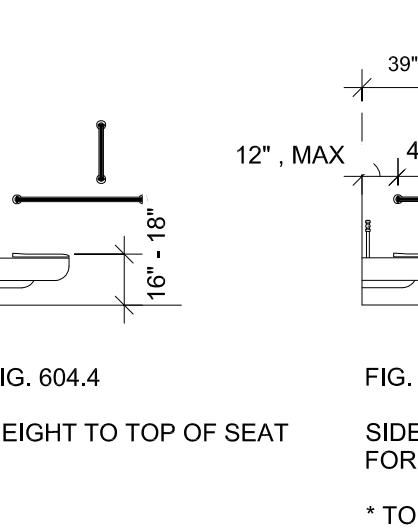


FIG. 404.2.6
TWO DOORS IN A SERIES
(A) AND (B)

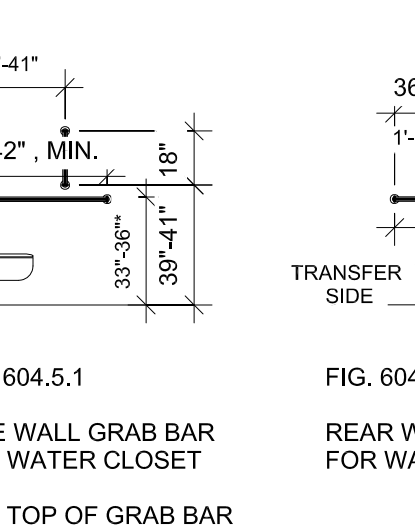


FIG. 404.2.6
TWO DOORS IN A SERIES
(A) AND (B)

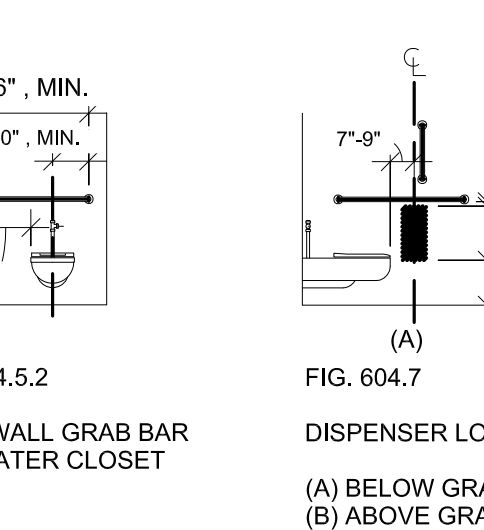


FIG. 404.2.6
TWO DOORS IN A SERIES
(A) AND (B)

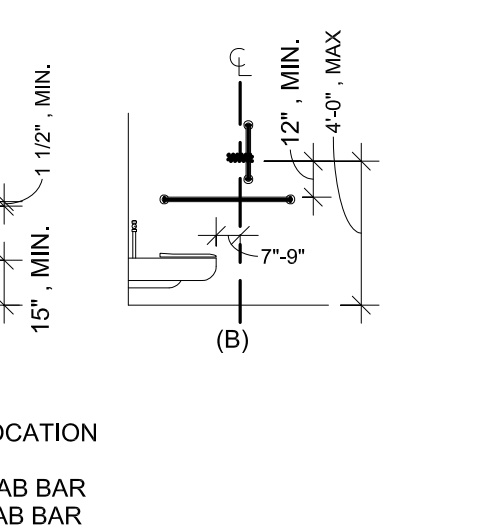


FIG. 404.2.6
TWO DOORS IN A SERIES
(A) AND (B)

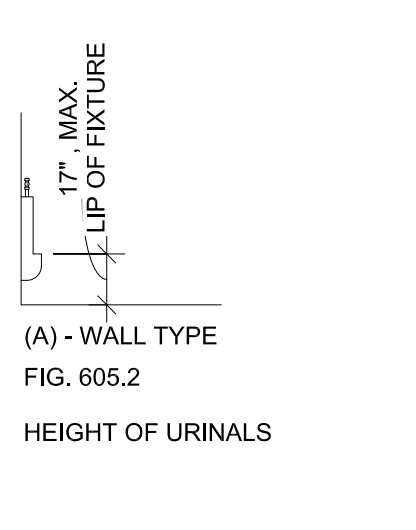


FIG. 404.2.6
TWO DOORS IN A SERIES
(A) AND (B)