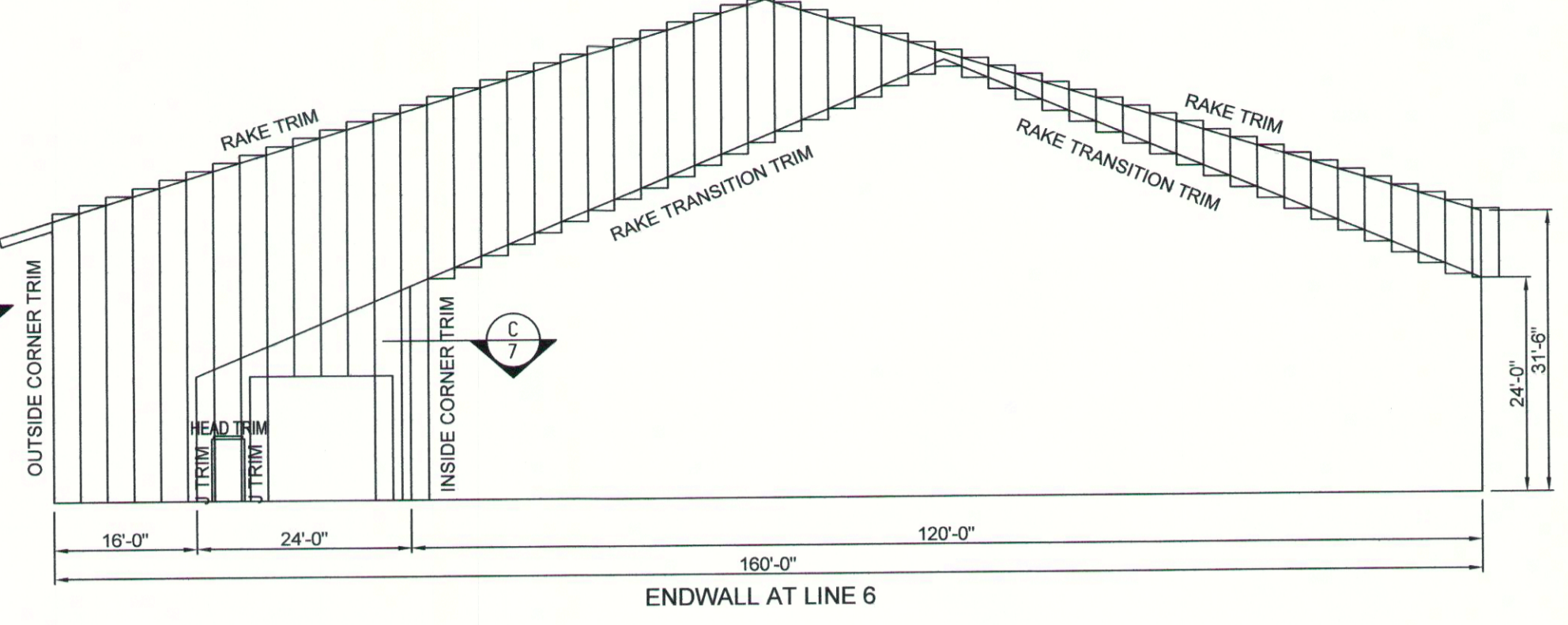
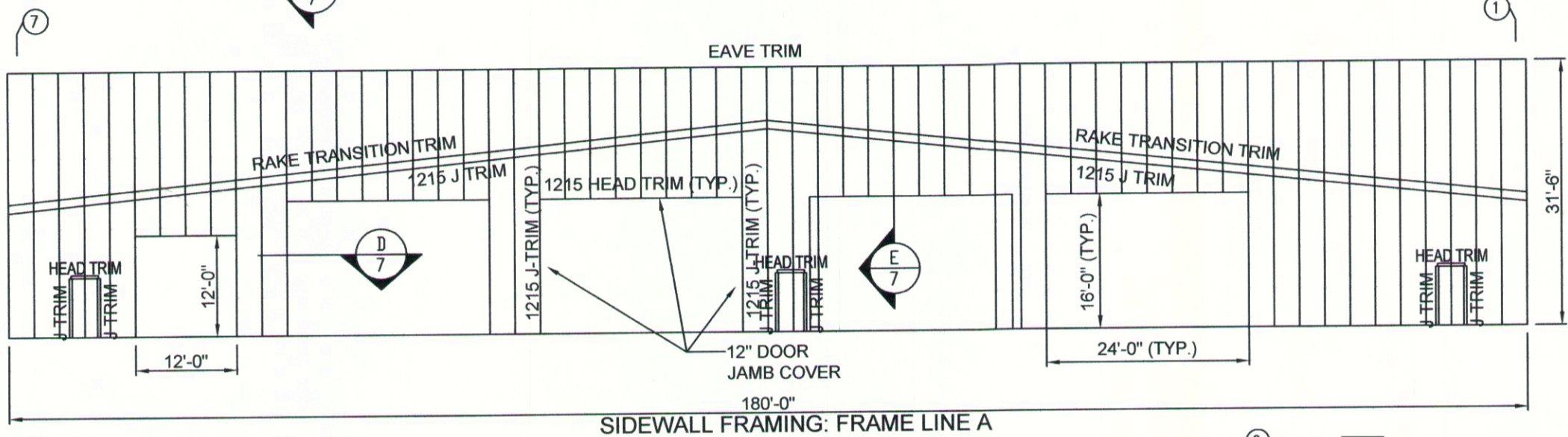


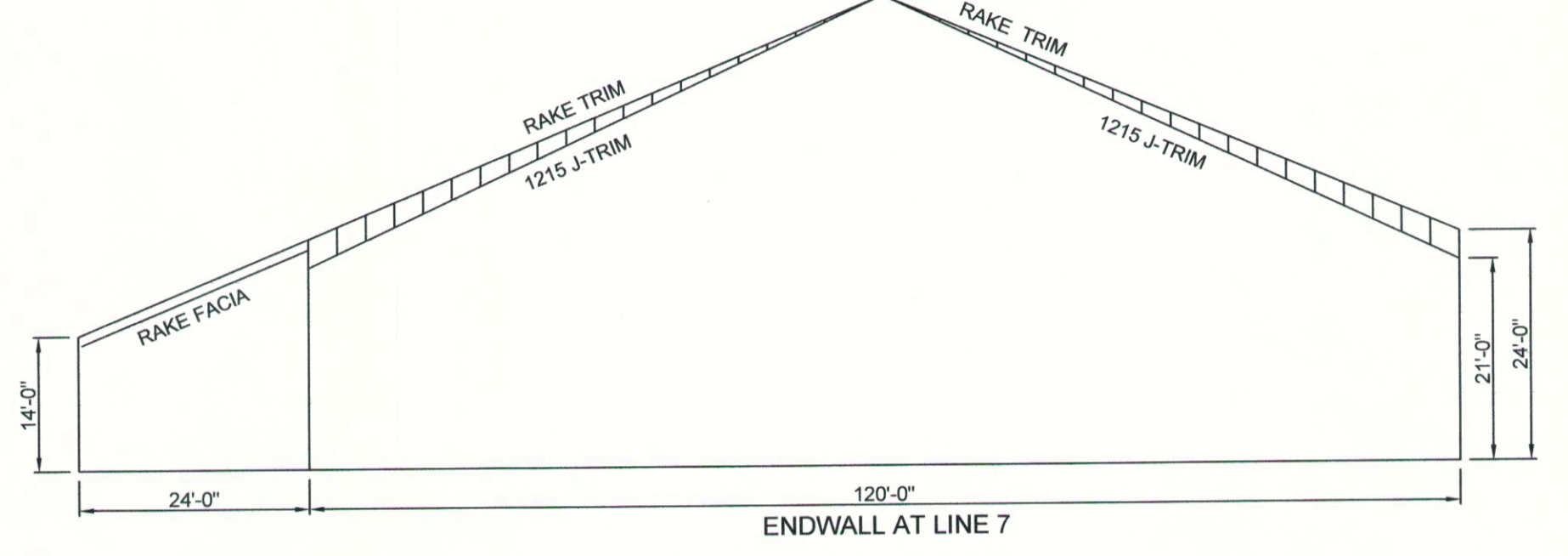
ENDWALL AT LINE 1



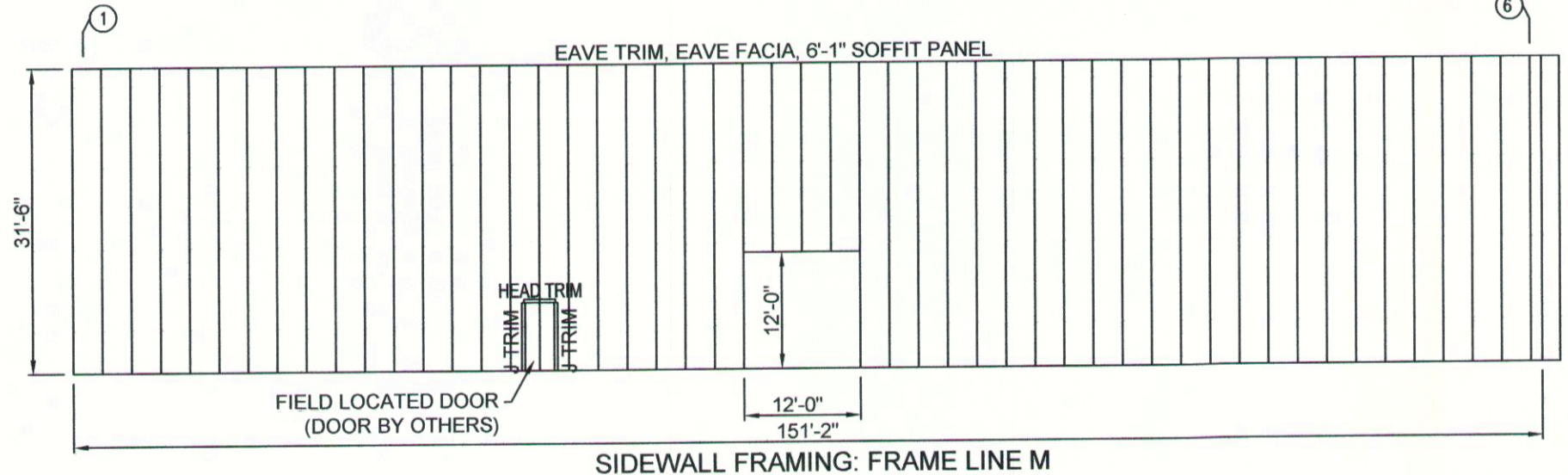
ENDWALL AT LINE 6



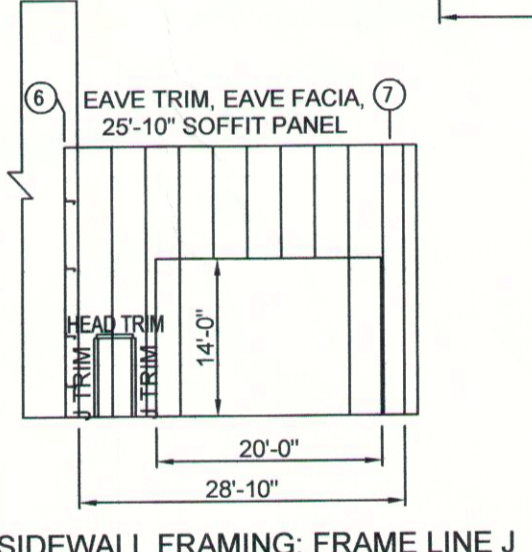
SIDEWALL FRAMING: FRAME LINE A



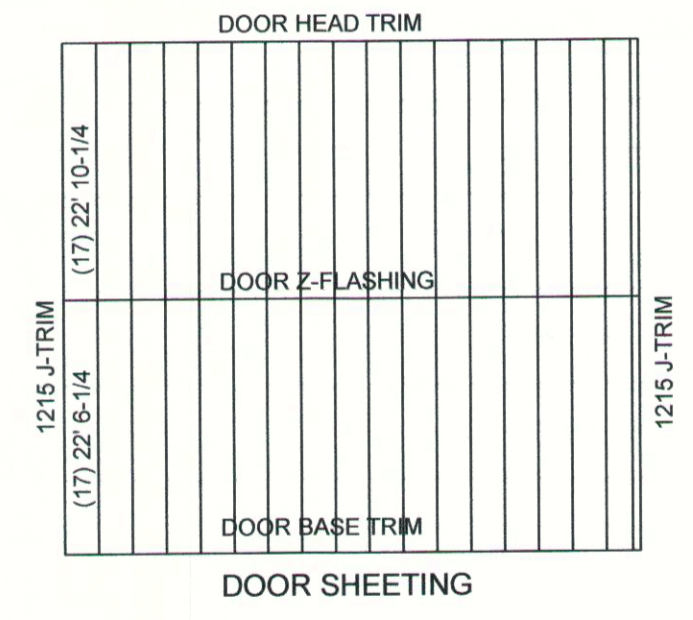
ENDWALL AT LINE 7



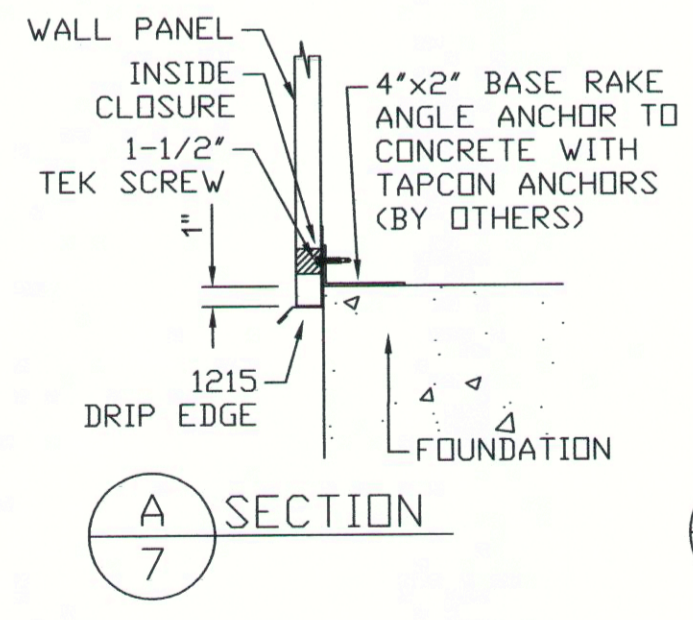
SIDEWALL FRAMING: FRAME LINE M



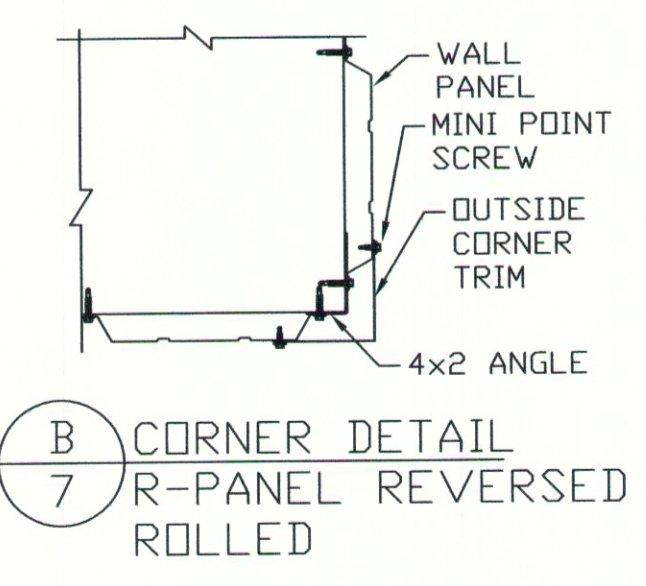
SIDEWALL FRAMING: FRAME LINE J



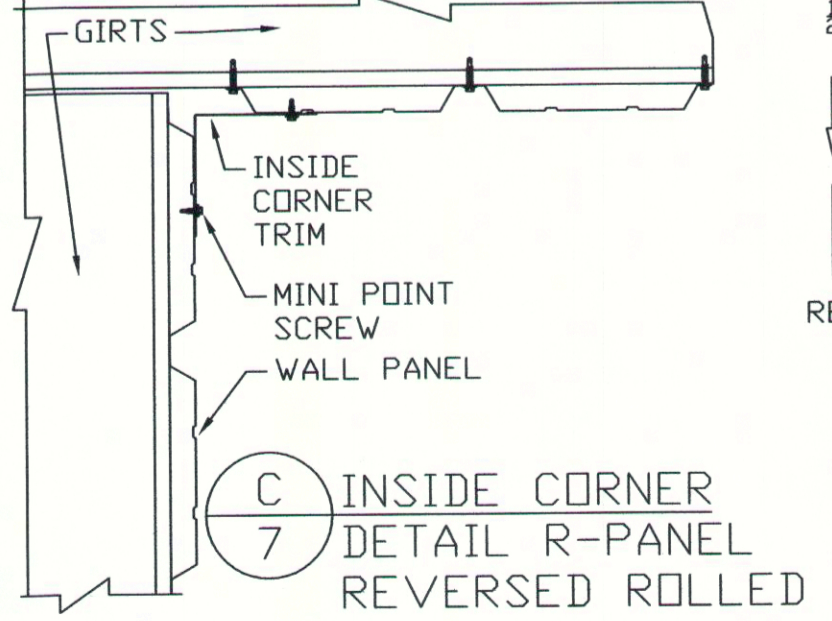
DOOR SHEETING



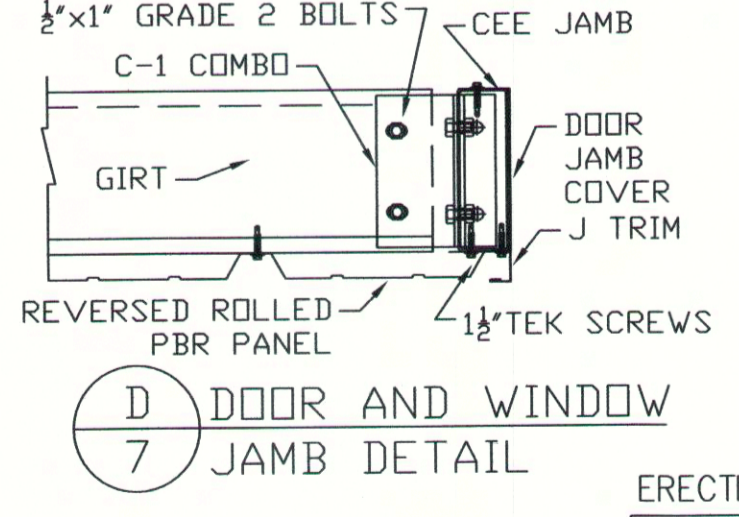
A SECTION



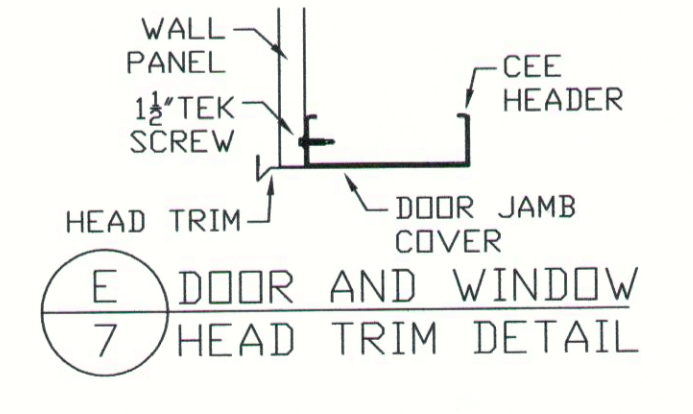
B CORNER DETAIL R-PANEL REVERSED ROLLED



C INSIDE CORNER DETAIL R-PANEL REVERSED ROLLED



D DOOR AND WINDOW JAMB DETAIL



E DOOR AND WINDOW HEAD TRIM DETAIL

ERECTION REQUIRES MINOR ADJUSTMENTS

ESSEX STRUCTURAL STEEL CO., INC.
CORTLAND, NEW YORK 13045

REVISIONS	PROJECT: CANAL LANDING 100 WEST COMMERCIAL STREET PORTLAND, MAINE 04101	SHEET: 7
	CONTRACTOR: IRISHSPAN INDUSTRIES PROJECT NO.: S-1468	
	TITLE: WALL PANEL AND INSULATION PLAN	
	DRAWN BY: JCK	
	DATE: 7/1/14	
	SCALE: D.N.S.	