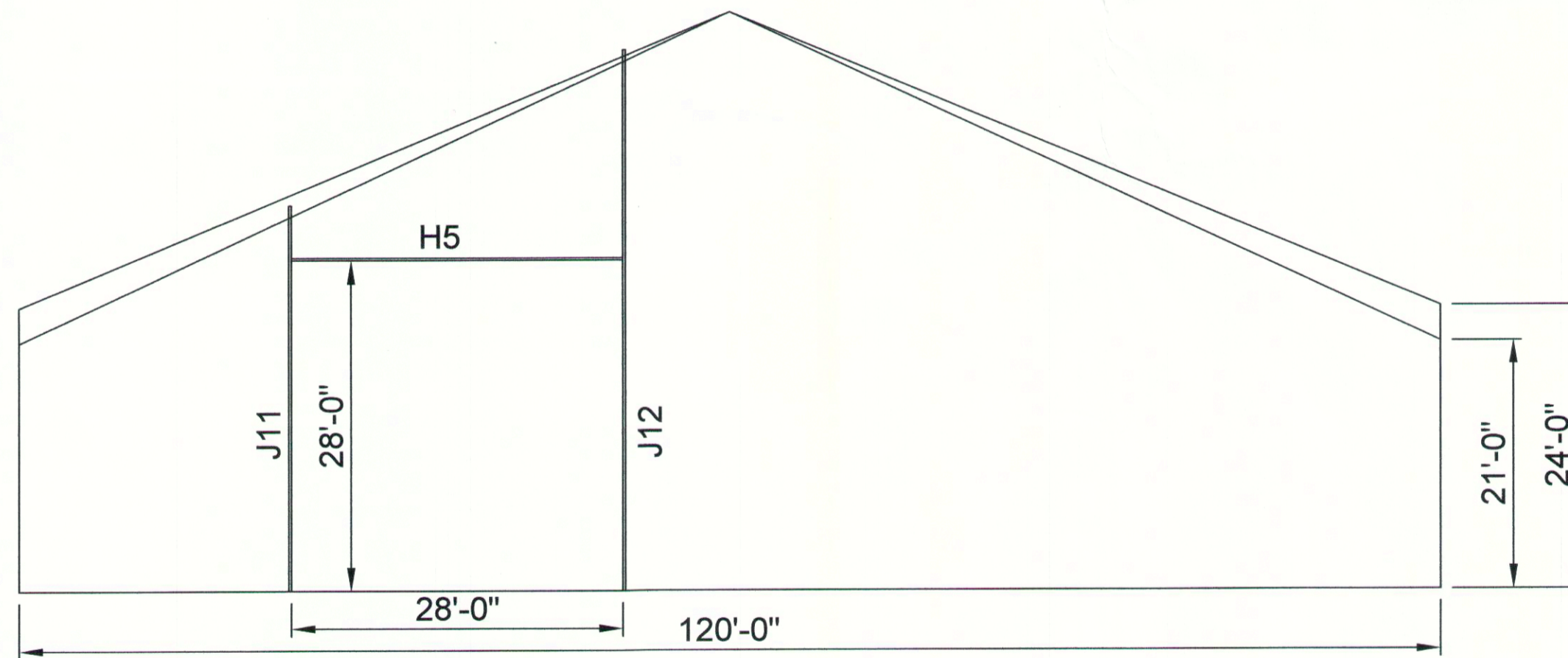
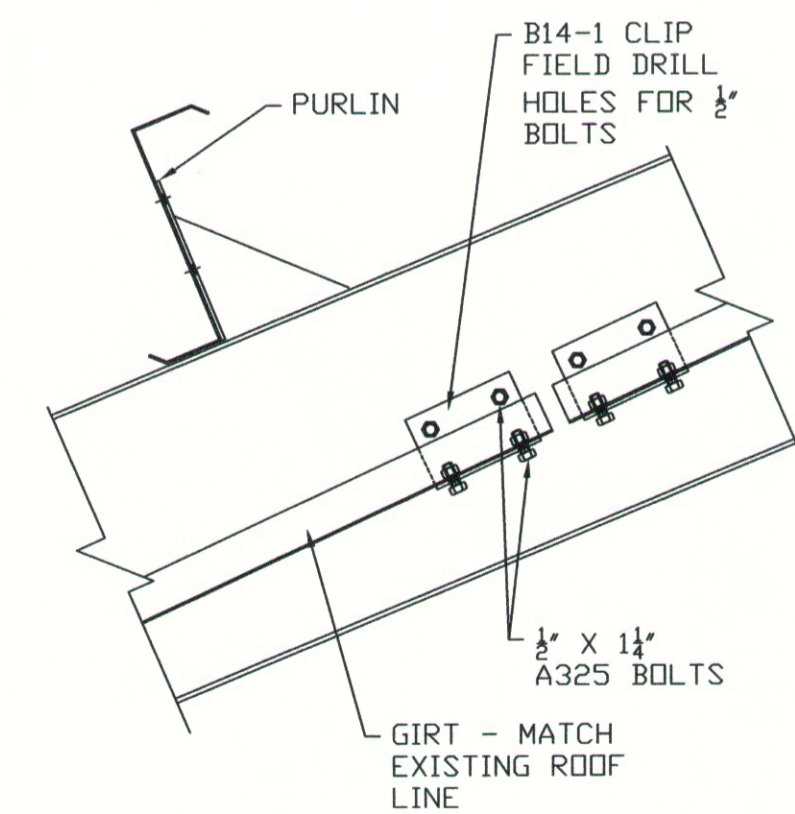


ENDWALL FRAMING: FRAME LINE 7



EXISTING ENDWALL



A  
6A  
DETAIL

ERECTION REQUIRES MINOR ADJUSTMENTS

ESSEX STRUCTURAL STEEL CO., INC.  
CORTLAND, NEW YORK 13045

REVISIONS	PROJECT:	CANAL LANDING 100 WEST COMMERCIAL STREET PORTLAND, MAINE 04101	SHEET: <b>6A</b>
	CONTRACTOR:	IRISHSPAN INDUSTRIES	
	PROJECT NO.:	S-1468	
	TITLE:	ENDWALL FRAMING PLAN	
	DRAWN BY:	JCK	
	DATE:	7/1/14	
	SCALE:	D.N.S.	

QTY	PART MARK	DESCRIP	LENGTH
4	G32	10Z25 14	18' 0
1	J11	10Z25 12	32' 8
1	J12	10Z25 12	45' 10
1	H5	10Z25 12	28' 11-1/2