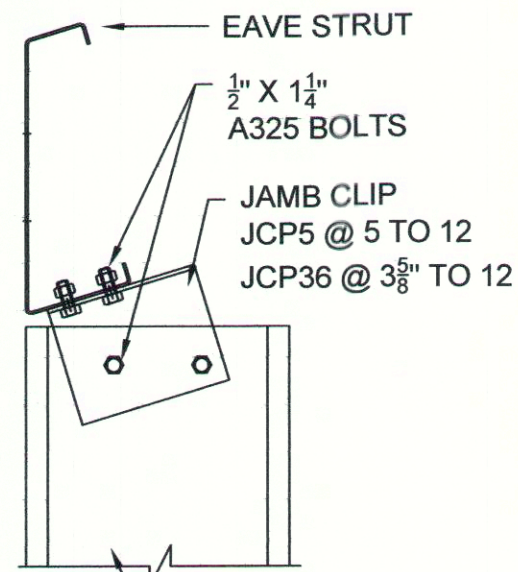
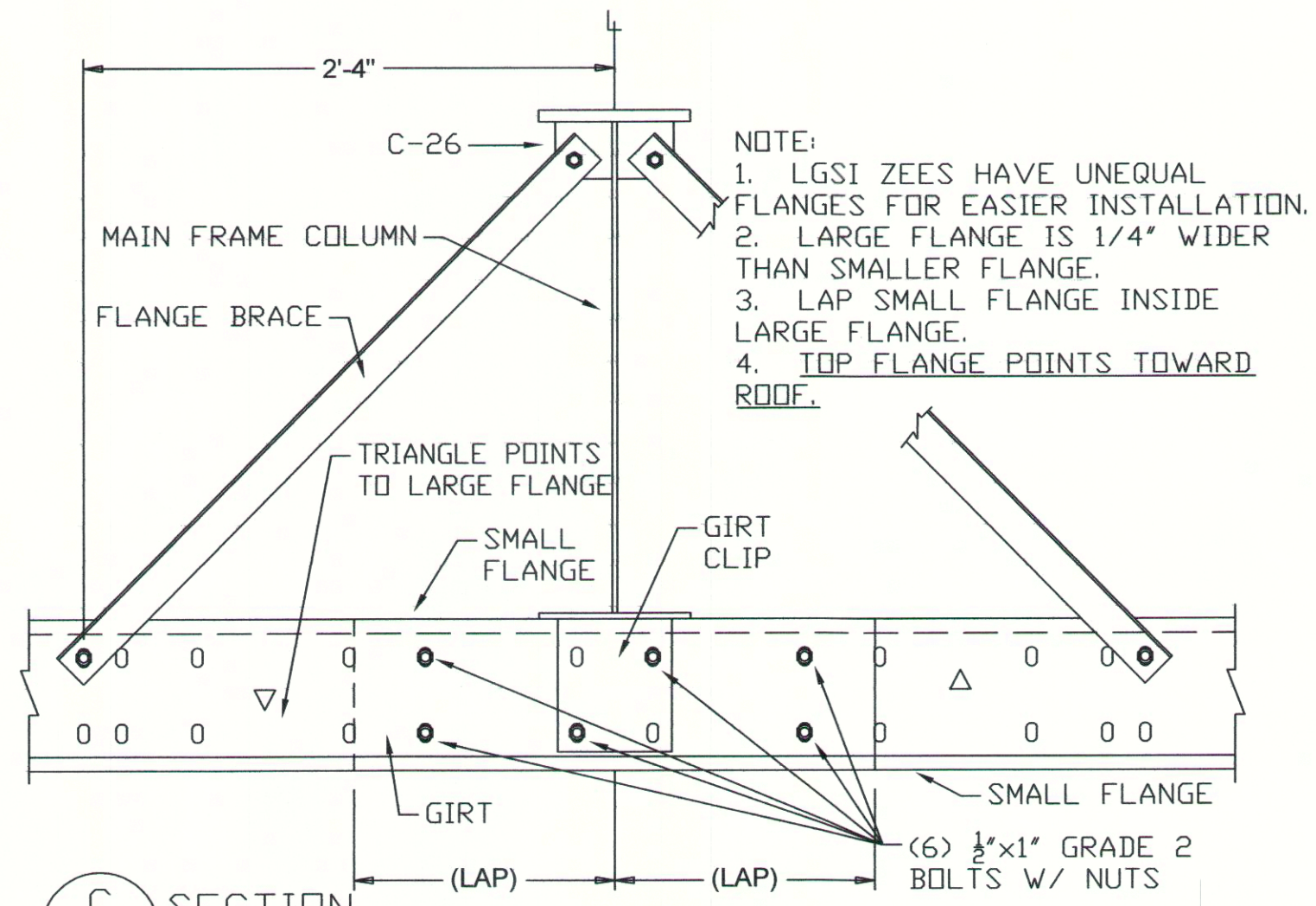


A SECTION
5A



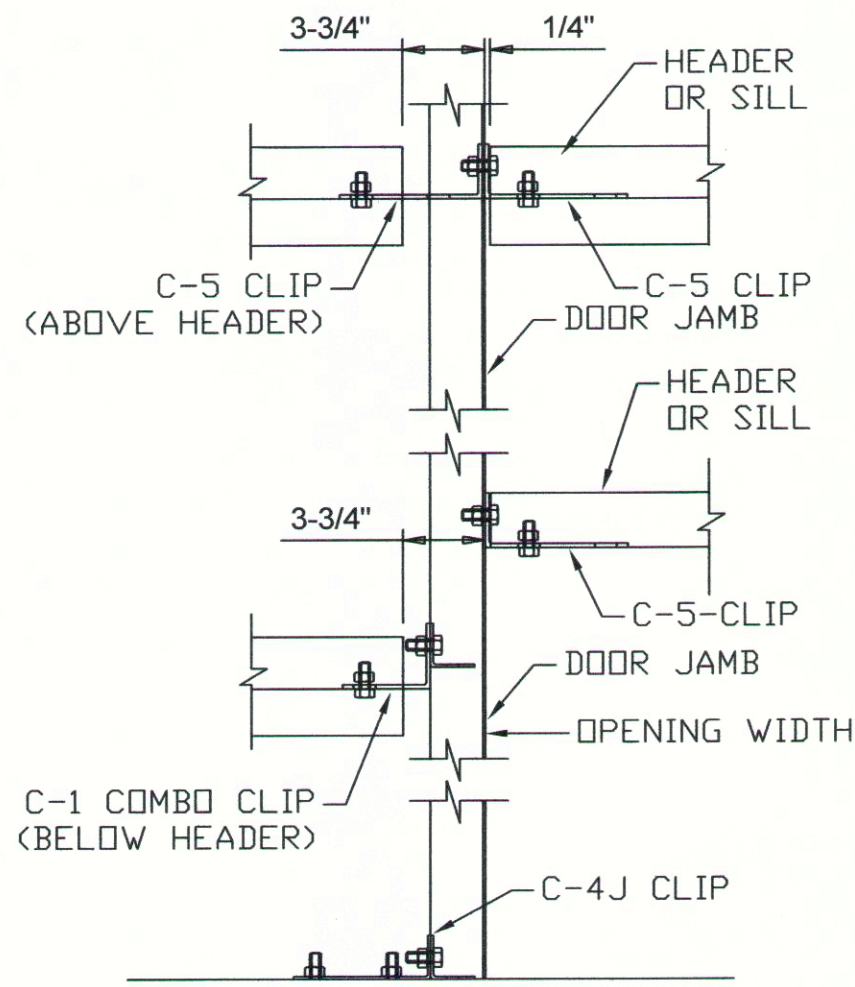
NOTE: FIELD DRILL EAVE
STRUT AND CLIP AS REQUIRED

B SECTION
5A

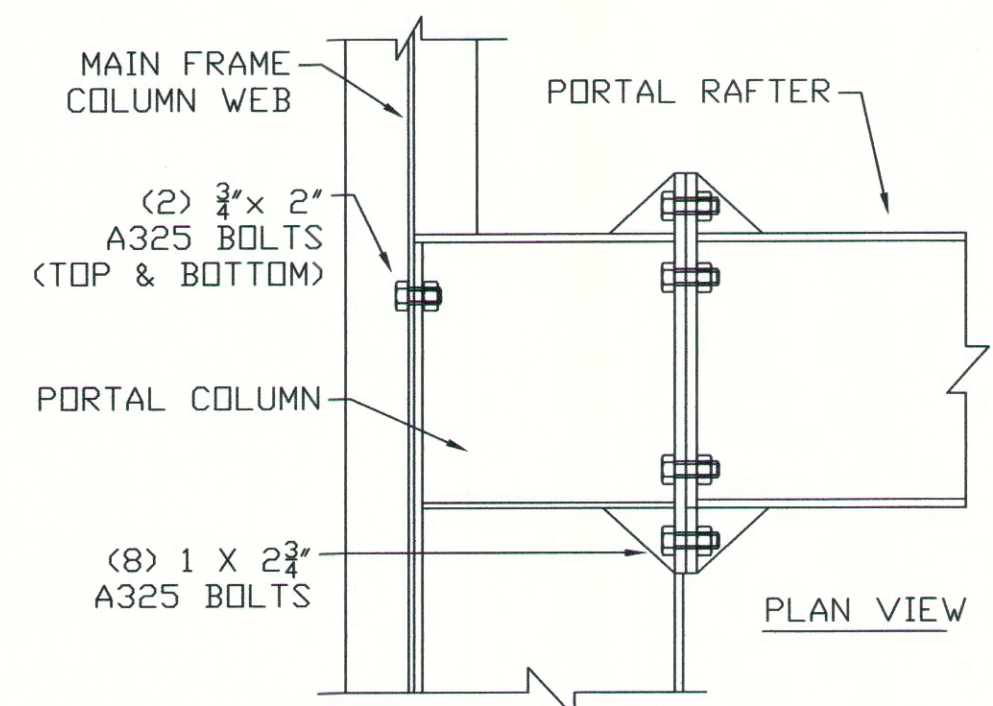
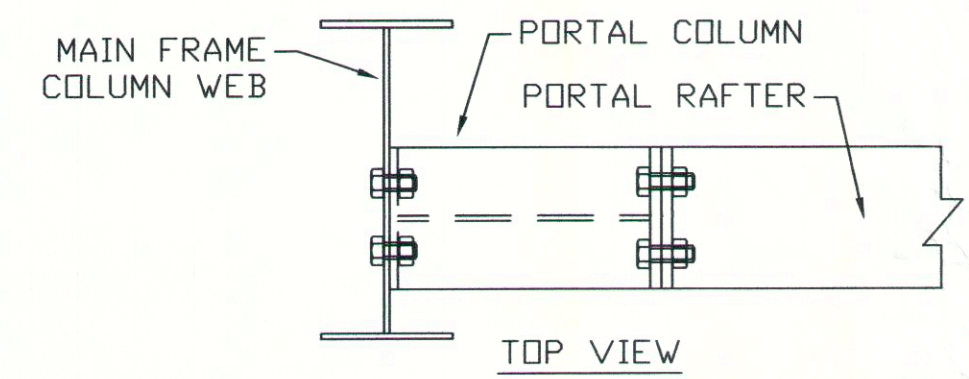


NOTE:
1. LGS1 ZEES HAVE UNEQUAL
FLANGES FOR EASIER INSTALLATION.
2. LARGE FLANGE IS $\frac{1}{4}$ " WIDER
THAN SMALLER FLANGE.
3. LAP SMALL FLANGE INSIDE
LARGE FLANGE.
4. TOP FLANGE POINTS TOWARD
ROOF.

C SECTION
5A



D FRAMED OPENING
5A DETAIL



E SECTION
5A

ERECTION REQUIRES MINOR ADJUSTMENTS

ESSEX STRUCTURAL STEEL CO., INC. CORTLAND, NEW YORK 13045			
REVISIONS	PROJECT:	CANAL LANDING 100 WEST COMMERCIAL STREET PORTLAND, MAINE 04101	
	CONTRACTOR:	IRISHSPAN INDUSTRIES	
	PROJECT NO.:	S-1468	
	TITLE:	SIDEWALL FRAMING PLAN	SHEET:
	DRAWN BY:	JCK	DATE: 7/1/14
			SCALE: D.N.S.
			5A