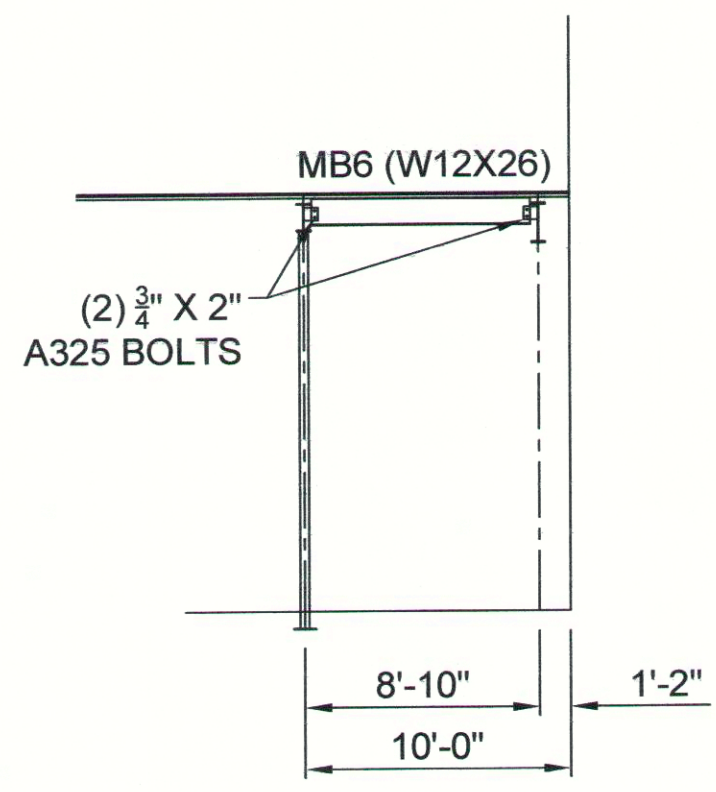


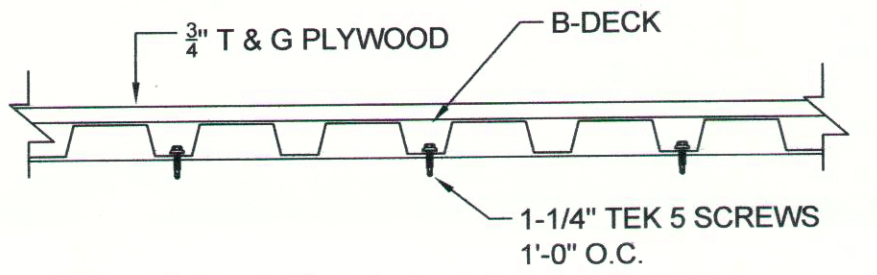
SECTION "A" - "A"



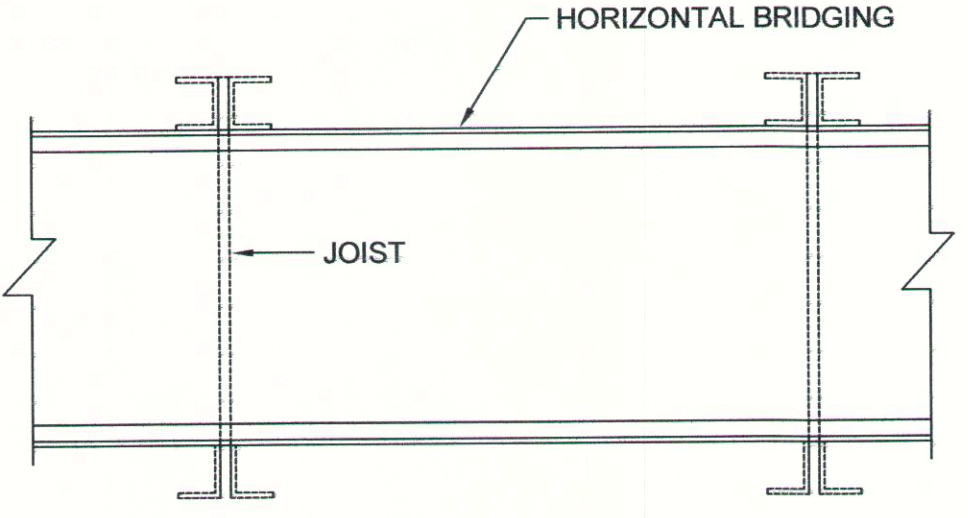
SECTION "B" - "B"

QTY	PARTMARK	BAR JOISTS	LENGTH	DESCRIPTION
1	FJ1	29'	11-1/4	18K10
14	FJ2	30'	2-1/2	18K10
9	FJ3	20'	5-3/4	16K2
1	FJ4	25'	9-1/2	18K10

MEZZANINE LOADS:
 LIVE LOAD: 125 P.S.F.
 DEAD LOAD: 15 P.S.F.
 COLLATERAL LOAD: 10 P.S.F.
 NOTES:
 1. STAIRS AND RAILS BY OTHERS
 2. 3/4" PLYWOOD FLOOR (BY OTHERS)
 3. FIELD WELD JOISTS TO BEAMS

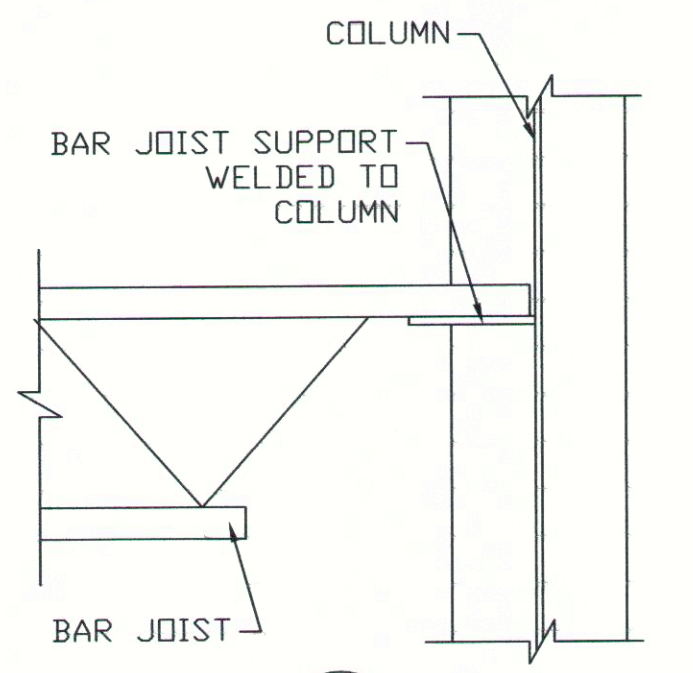


22 GA. 1.5 B-DECK DETAIL

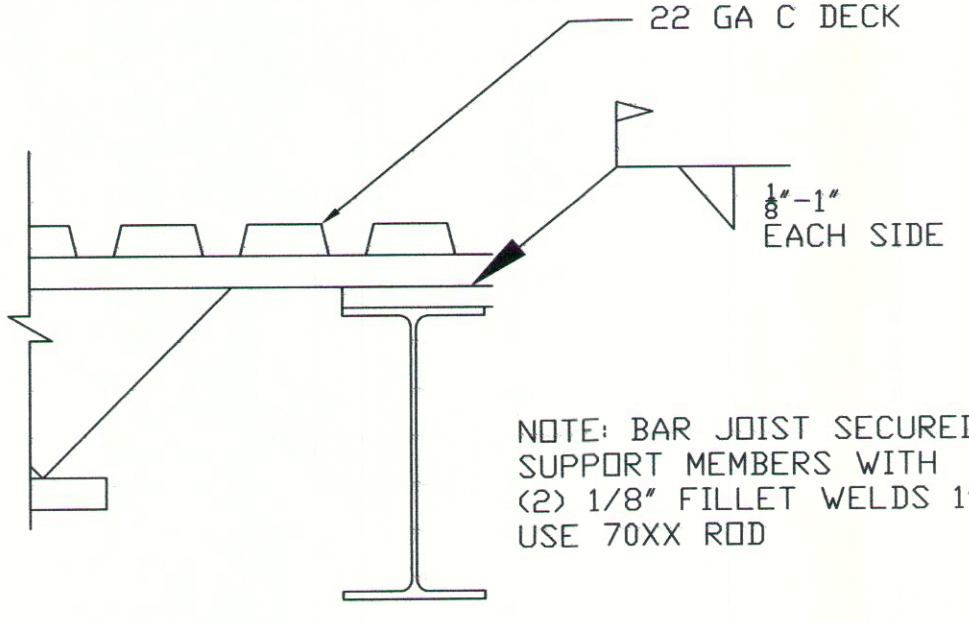


NOTES:
 FIELD WELD BRIDGING TO TOP AND BOTTOM CHORD
 DO NOT WELD BRIDGING TO WEB MEMBERS

SECTION C
3E



DETAIL A
3E



DETAIL B
3E

NOTE: BAR JOIST SECURED TO SUPPORT MEMBERS WITH (2) 1/8" FILLET WELDS 1" LONG USE 70XX ROD

ERECTION REQUIRES MINOR ADJUSTMENTS

ESSEX STRUCTURAL STEEL CO., INC. CORTLAND, NEW YORK 13045			
REVISIONS	PROJECT:	CANAL LANDING 100 WEST COMMERCIAL STREET PORTLAND, MAINE 04101	
	CONTRACTOR:	IRISHSPAN INDUSTRIES	
	PROJECT NO.:	S-1468	
	TITLE:	FRAME CROSS SECTION	SHEET:
	DRAWN BY:	JCK	DATE: 7/1/14
		SCALE:	D.N.S.
			3E