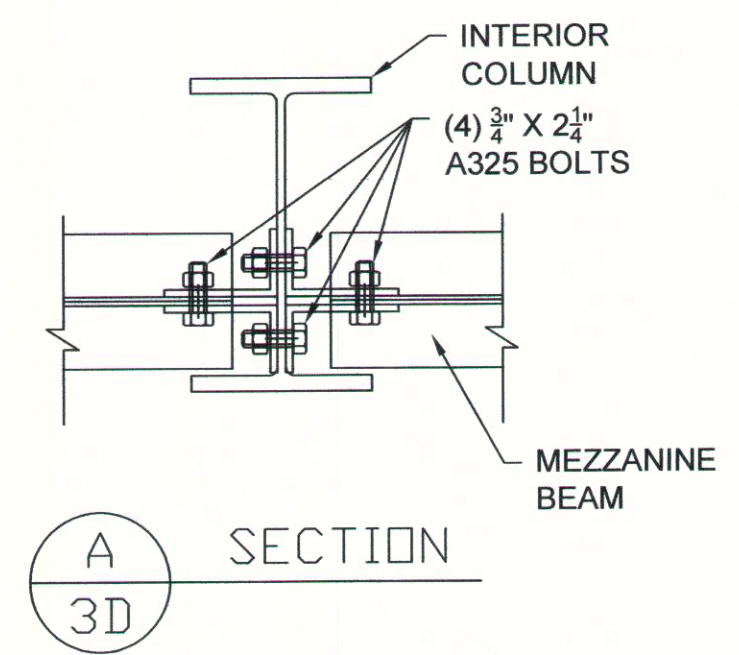


Main Frame ELEVATION: FRAME LINE 7

MEMBER TABLE						
Mark	Web Depth		Web Plate		Outside Flange	Inside Flange
	Start/End	Thick	Length	W x Thk x Length	W x Thk x Length	
RF1-1	11.0/11.0	0.179	120.5	8 x 3/8" x 183.6	8 x 3/8" x 262.4	
	11.0/11.0	0.179	120.5	8 x 3/8" x 86.8		
	11.0/11.0	0.179	42.0	6 x 3/8" x 23.0		
RF1-2	16.0/16.0	0.160	120.5	6 x 3/8" x 68.5	6 x 3/8" x 75.3	
	16.0/16.0	0.160	75.3	6 x 1/4" x 120.5	6 x 1/4" x 120.5	
	16.0/16.0	0.160	120.5	6 x 1/4" x 324.3	6 x 1/4" x 324.3	
RF1-3	16.0/16.0	0.160	120.5	6 x 1/4" x 324.3	6 x 1/4" x 324.3	
	16.0/16.0	0.160	120.5			
	16.0/16.0	0.160	83.3			
RF1-4	16.0/16.0	0.160	120.5	6 x 1/4" x 240.4	6 x 1/4" x 233.7	
	16.0/16.0	0.160	119.9			
	16.0/16.0	0.160	103.7	6 x 1/4" x 224.2	6 x 1/4" x 217.4	
RF1-5	16.0/16.0	0.160	103.7	6 x 1/4" x 224.2	6 x 1/4" x 217.4	
	16.0/16.0	0.160	120.5			
	16.0/16.0	0.160	24.0	6 x 1/4" x 369.8	6 x 1/4" x 369.8	
RF1-6	16.0/16.0	0.160	24.0	6 x 1/4" x 369.8	6 x 1/4" x 369.8	
	16.0/16.0	0.160	104.8			
	16.0/16.0	0.160	120.5			
RF1-7	16.0/16.0	0.160	54.0	6 x 1/4" x 415.5	6 x 1/4" x 295.0	
	16.0/16.0	0.160	120.5	6 x 3/8" x 56.3	6 x 5/16" x 120.5	
	16.0/16.0	0.160	120.5		6 x 3/8" x 63.1	
RF1-8	16.0/16.0	0.160	120.5			
	16.0/16.0	0.179	63.1			
	11.0/11.0	0.313	24.0	6 x 3/8" x 23.0	8 x 3/8" x 142.5	
RF1-9	11.0/11.0	0.179	24.0	8 x 3/8" x 158.4		
	11.0/11.0	0.179	115.1			
	11.0/11.0	0.179	115.1			
RF1-10	W14X26					
RF1-11	W14X26					
RF1-12	W14X61					
RF1-13	W14X53					
RF1-13	W14X30					



ERECTION REQUIRES MINOR ADJUSTMENTS

ESSEX STRUCTURAL STEEL CO., INC. CORTLAND, NEW YORK 13045			
REVISIONS	PROJECT:	CANAL LANDING 100 WEST COMMERCIAL STREET PORTLAND, MAINE 04101	
	CONTRACTOR:	IRISHSPAN INDUSTRIES	
	PROJECT NO.:	S-1468	
	TITLE:	FRAME CROSS SECTION	
	DRAWN BY:	JCK	DATE: 7/1/14
	SCALE:	D.N.S.	
			SHEET: 3D