

WIND BENT REACTIONS (30x144)

Wall Line	Col Line	Horz	Reactions		
			Wind(k)	Seismic(k)	Vert
F_SW	L	6	11.4	9.5	1.6
F_SW	L	7	11.4	9.5	1.6
B_SW	A	7	13.4	20.4	1.6
B_SW	A	6	13.4	20.4	1.6

ANCHOR BOLT SUMMARY (30x144)

28	Frame 7	3/4"	A307	3.00
----	---------	------	------	------

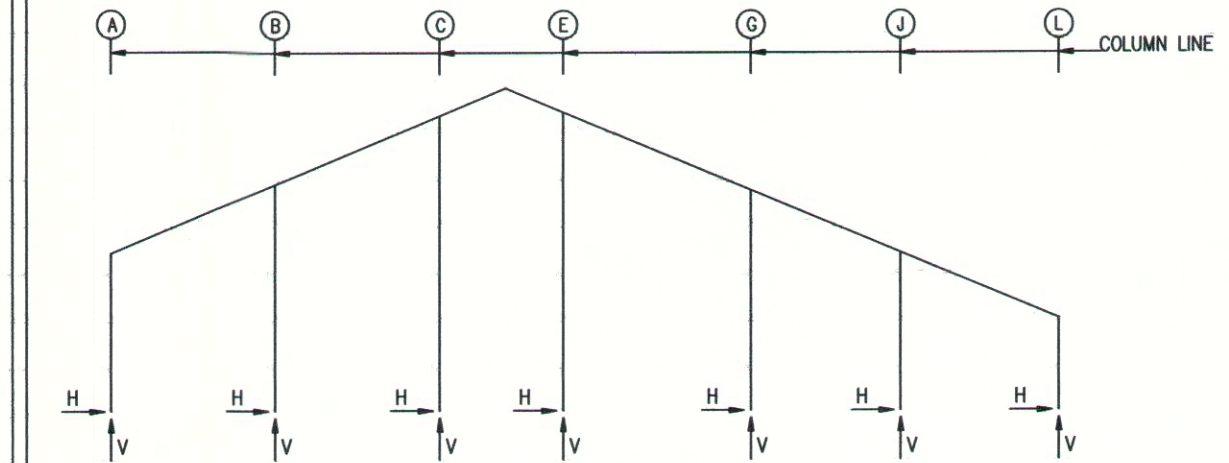
GENERAL NOTES

- FOUNDATION DESIGN AND CONSTRUCTION ARE NOT THE RESPONSIBILITY OF ESSEX STRUCTURAL STEEL COMPANY, INC.
- THE BUILDING REACTION DATA REPORTS THE LOADS WHICH THIS BUILDING PLACES ON THE FOUNDATION.
- ANCHOR BOLTS SHALL BE ACCURATELY SET TO A TOLERANCE OF +/- 1/8" IN BOTH ELEVATION AND LOCATION.
- COLUMN BASE PLATES ARE DESIGNED NOT TO EXCEED A BEARING PRESSURE OF 1125 POUNDS PER SQUARE INCH.
- ALL COLUMN BASE PLATES ARE TO BE SET AT FINISHED FLOOR ELEVATION OF 100'-0" UNLESS OTHERWISE NOTED ON THE ANCHOR BOLT SETTING PLAN.....
- SEE REACTION TABLES FOR PROPER BASE PLATE WIDTHS AND LENGTHS.

NOTES FOR REACTIONS

- All loading conditions are examined and only maximum/minimum H or V and the corresponding H or V are reported.
- Positive reactions are as shown in the sketch. Foundation loads are in opposite directions.
- Bracing reactions are in the plane of the brace with the H pointing away from the braced bay. The vertical reaction is downward.
- Building reactions are based on the following building data:
 - Width (ft) = 144.0
 - Length (ft) = 30.3
 - Eave Height (ft) = 24.0/ 14.0
 - Roof Slope (rise/12) = 5.0/ 5.0
 - Dead Load (psf) = 5.0
 - Collateral Load (psf) = 5.0
 - Live Load (psf) = 42.0
 - Snow Load (psf) = 42.0
 - Wind Speed (mph) = 115.0
 - Wind Code = IBC 09
 - Exposure = C
 - Closed/Open = C
 - Importance Wind = 1.00
 - Importance Seismic = 1.00
 - Seismic Design Category = B
 - Seismic Coeff (Fa/Sa) = 0.36

FRAME LINES: 7

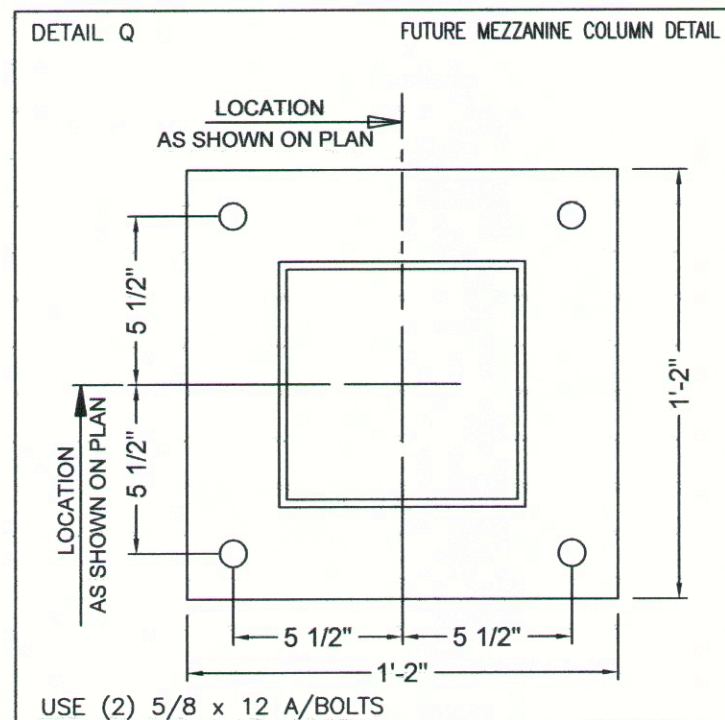


RIGID FRAME: MAXIMUM REACTIONS, ANCHOR BOLTS, & BASE PLATES

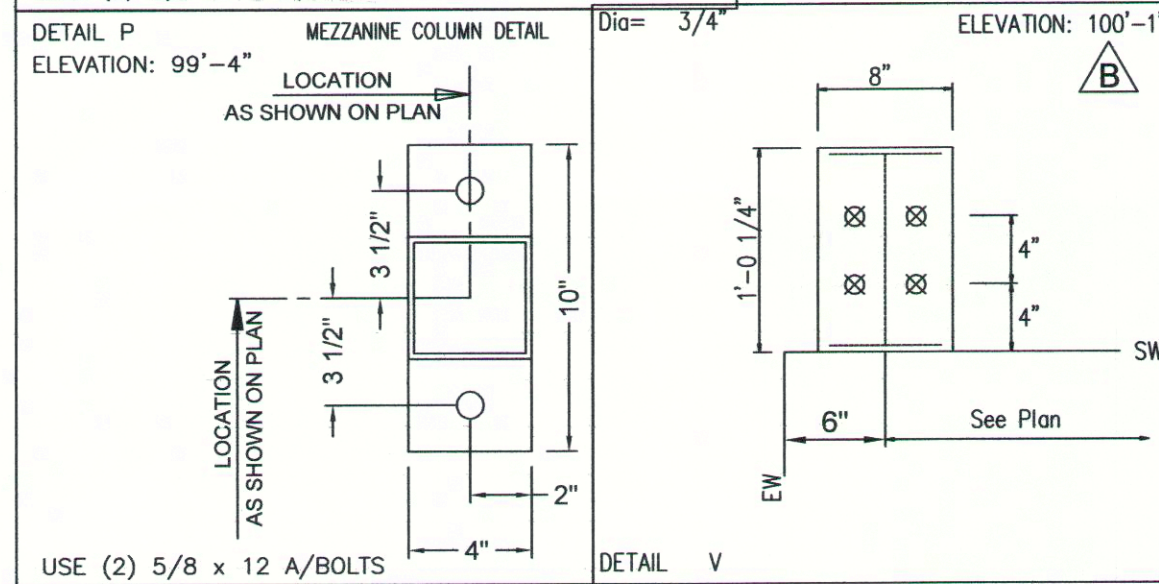
Frm Line	Col Line	Load ID	Column Reactions (k)			Anc. Bolt Qty	Anc. Bolt Dia	Base Plate (in)			Grout (in)		
			Hmax	Vmax	Hmin			Vmin	Width	Length		Thick	
7	A	5	3.9	-8.3	6	-4.1	-4.1	4	0.750	8.000	12.00	0.500	0.0
		2	0.0	53.5	8	2.1	-28.2						
7	L	7	5.4	-2.7	4	-7.9	3.1	4	0.750	8.000	12.00	0.375	0.0
		3	-4.6	13.2	9	-3.4	-13.7						
7	B	8	0.0	-10.8	8	0.0	-10.8	4	0.625	8.000	14.00	0.500	0.0
		1	0.0	86.9									
7	C	4	0.0	-3.1	4	0.0	-3.1	4	0.625	8.000	14.00	0.375	0.0
		12	0.0	59.7									
7	E	4	0.0	-3.1	4	0.0	-3.1	4	0.750	10.00	14.00	0.375	0.0
		13	0.0	31.1									
7	G	10	0.0	-10.8	10	0.0	-10.8	4	0.750	10.00	14.00	0.375	0.0
		1	0.0	30.5									
7	J	4	0.0	-12.2	4	0.0	-12.2	4	0.750	8.000	14.00	0.375	0.0
		1	0.0	30.1									

ENDWALL COLUMN: MAXIMUM REACTIONS, ANCHOR BOLTS, & BASE PLATES

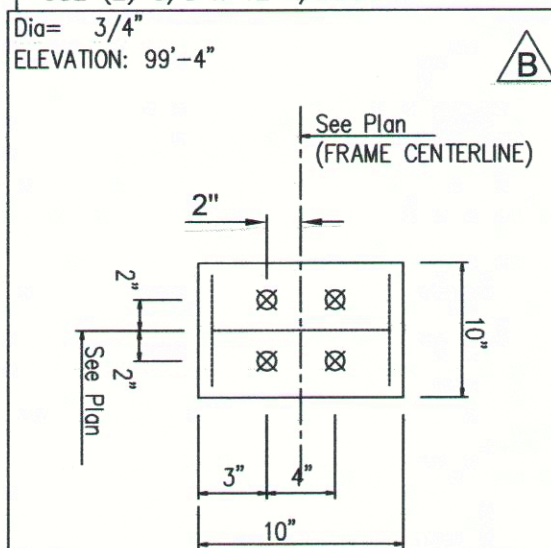
Frm Line	Col Line	Load ID	Column Reactions (k)			Anc. Bolt Qty	Anc. Bolt Dia	Base Plate (in)			Grout (in)		
			Hmax	Vmax	Hmin			Vmin	Width	Length		Thick	
6	B	16	12.4	1.2	17	-11.4	1.2	4	0.625	10.00	14.25	0.375	0.0
		18	0.0	2.1									
6	C	16	27.8	2.4	17	-25.4	2.4	4	0.750	15.00	14.50	0.250	0.0
		18	0.0	4.0									
6	I	16	14.1	0.9	17	-12.9	0.9	4	0.625	10.00	14.25	0.375	0.0
		18	0.0	1.5									
6	J	16	5.8	0.4	17	-5.3	0.4	4	0.625	8.000	14.25	0.375	0.0
		18	0.0	0.7									
7	J	14	7.1	0.3	19	-6.5	0.3	4	0.750	8.000	14.00	0.375	0.0
		11	0.0	0.5									
7	G	14	11.4	0.5	19	-10.4	0.5	4	0.750	8.000	14.25	0.375	0.0
		11	0.0	0.8									
7	E	14	14.7	1.5	19	-13.5	1.5	4	0.750	10.00	14.25	0.375	0.0
		11	0.0	2.6									
7	C	14	13.5	1.3	19	-12.3	1.3	4	0.750	10.00	14.25	0.375	0.0
		11	0.0	2.2									
7	B	14	11.5	0.6	19	-10.5	0.6	4	0.750	8.000	14.25	0.375	0.0
		11	0.0	0.9									



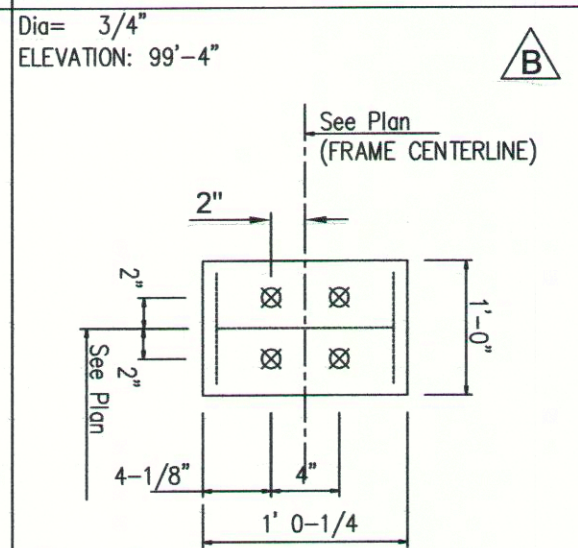
USE (2) 5/8 x 12 A/BOLTS



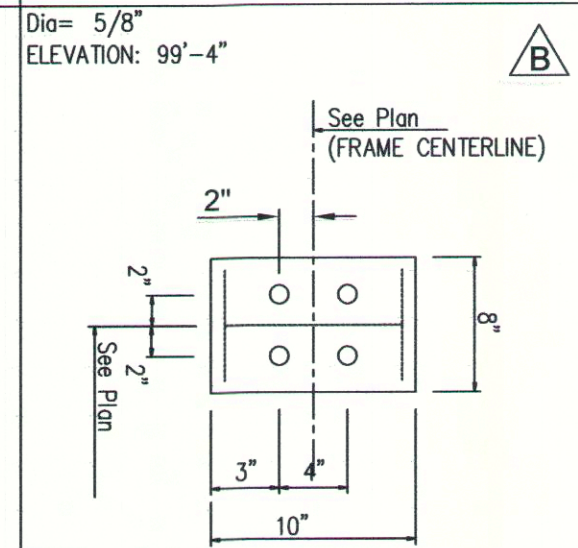
USE (2) 5/8 x 12 A/BOLTS



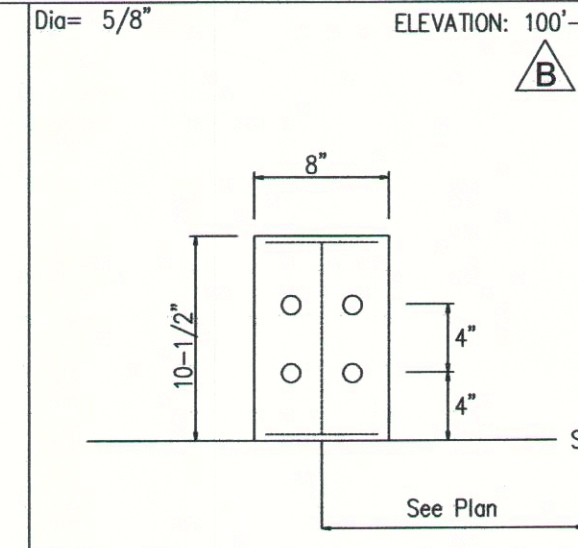
DETAIL R Dia= 3/4" ELEVATION: 100'-1"



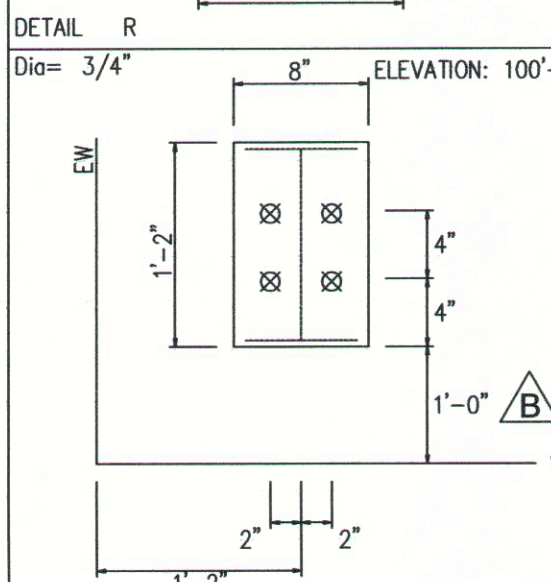
DETAIL S Dia= 3/4" ELEVATION: 100'-1"



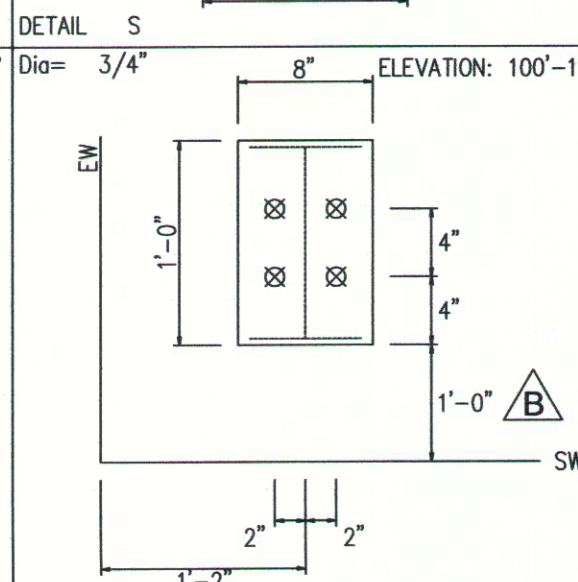
DETAIL T Dia= 5/8" ELEVATION: 99'-4"



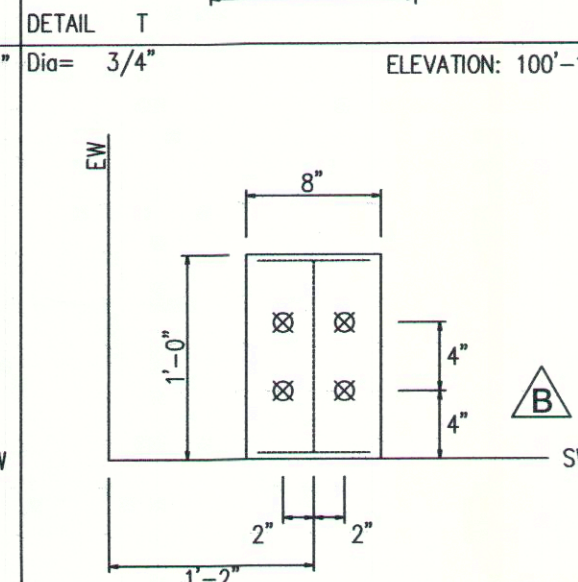
DETAIL U Dia= 5/8" ELEVATION: 100'-1"



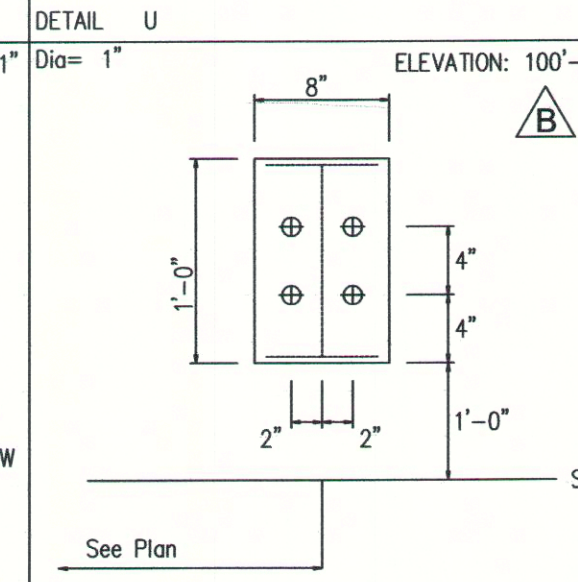
DETAIL L Dia= 3/4" ELEVATION: 99'-4"



DETAIL M Dia= 3/4" ELEVATION: 99'-4"



DETAIL N Dia= 3/4" ELEVATION: 100'-1"



DETAIL O Dia= 1" ELEVATION: 100'-1"

ERECTION REQUIRES MINOR ADJUSTMENTS

ESSEX STRUCTURAL STEEL CO., INC.
CORTLAND, NEW YORK 13045

REVISIONS
REV. A, 7/14/2014, JCK: REVISED
DETAILS L, M ADDED P, Q
REVISED COL. LETTERS @ LINE 7
REV. B, 7/16/2014, JCK: REVISED
DETAILS L, M ADDED R S T U V
REV. C, 7/22/2014, JCK: DELETED 6.1

PROJECT:	CANAL LANDING 100 WEST COMMERCIAL STREET PORTLAND, MAINE 04101
CONTRACTOR:	IRISHSPAN INDUSTRIES
PROJECT NO.:	S-1468
TITLE:	REACTIONS (30x144 PART)
DRAWN BY:	WPK
DATE:	6/23/14
SCALE:	D.N.S.

SHEET: 2A