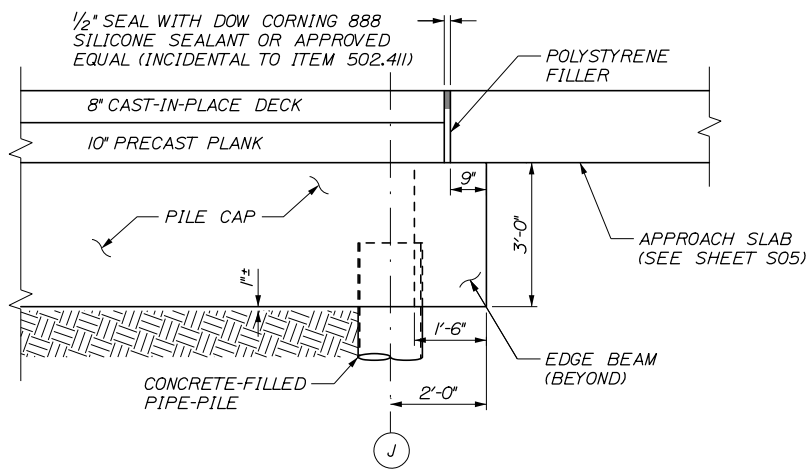


Date: 12/15/2017

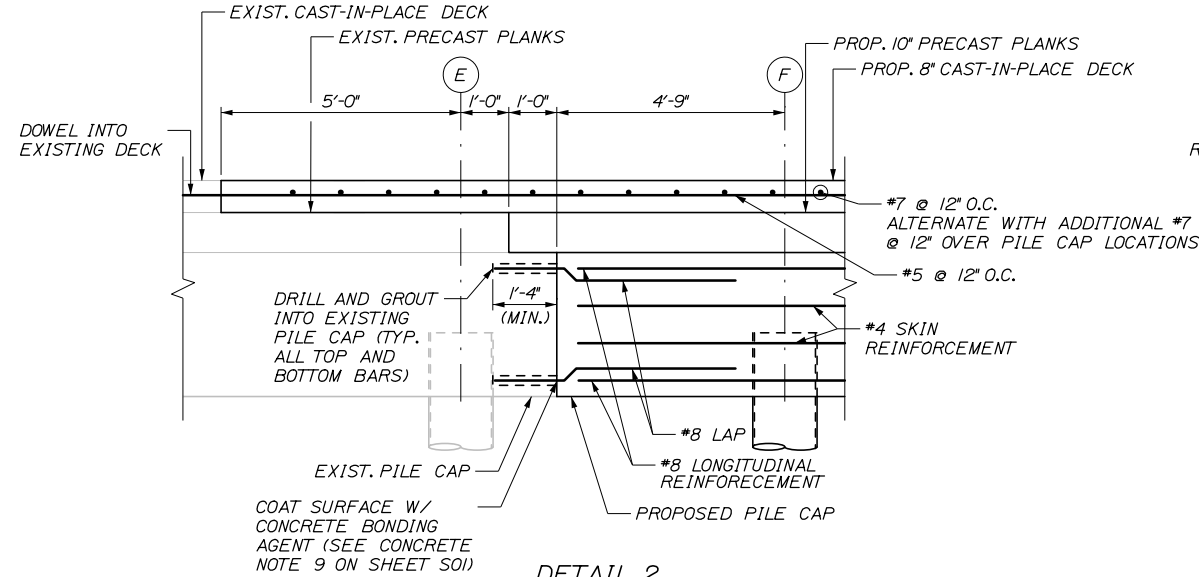
Username:

Division:

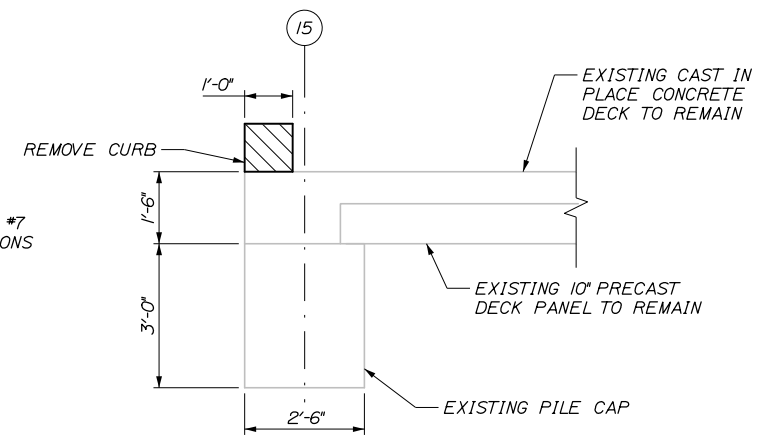
Filename: 016_Pile Cap Details (S03).dgn



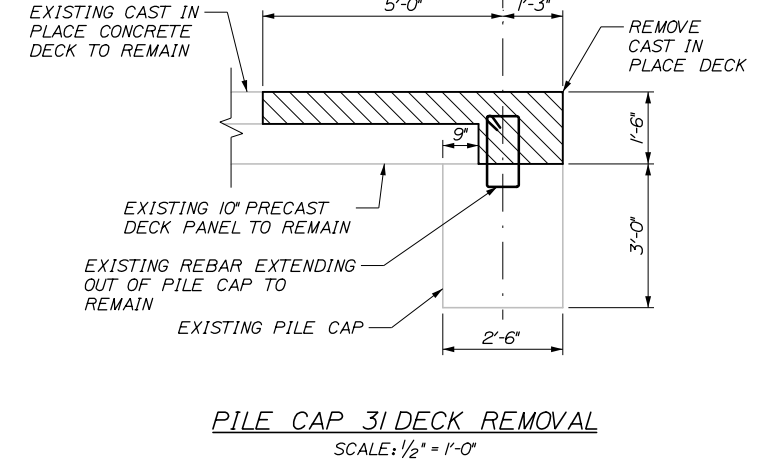
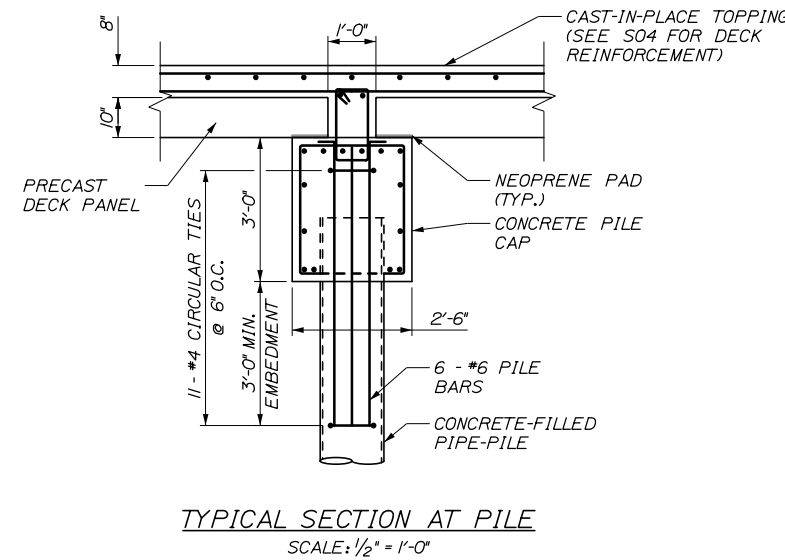
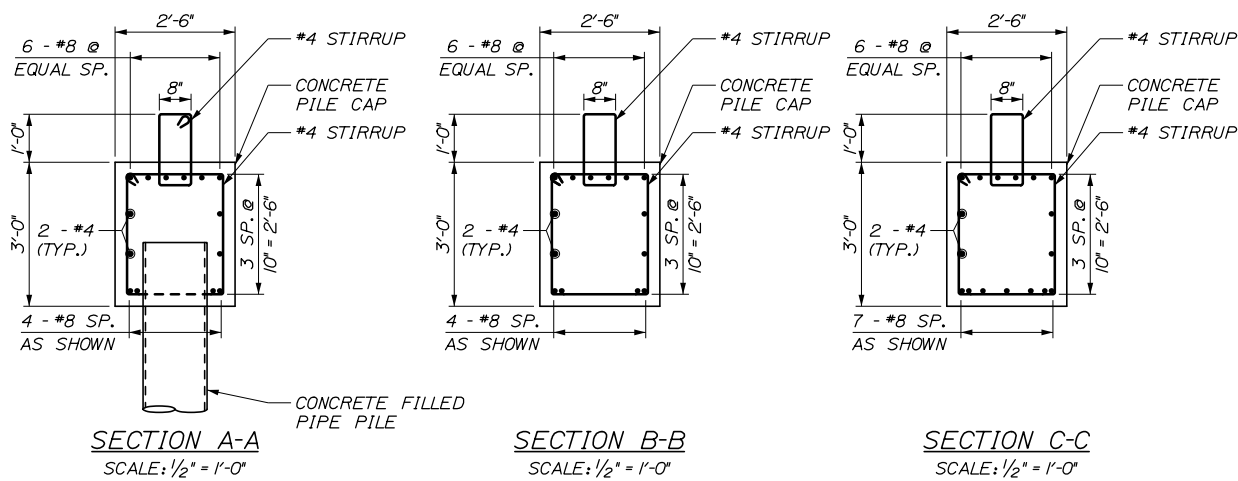
DETAIL 1
SCALE: 1/2" = 1'-0"



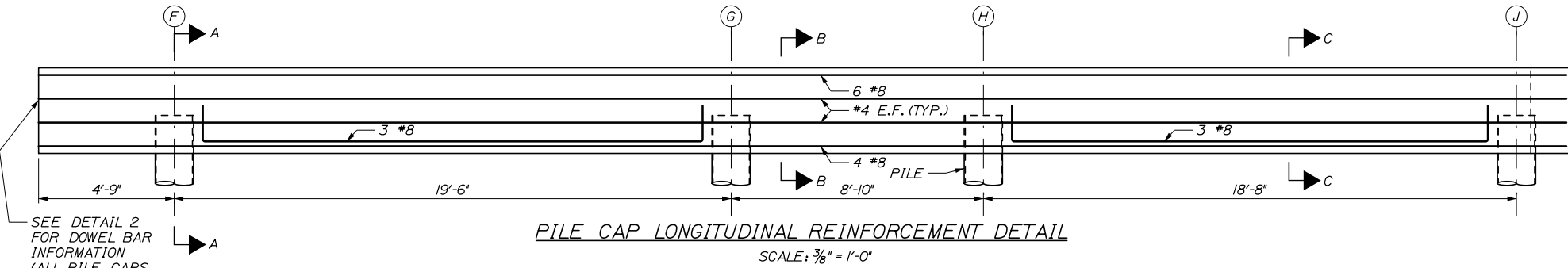
DETAIL 2
SCALE: 1/2" = 1'-0"



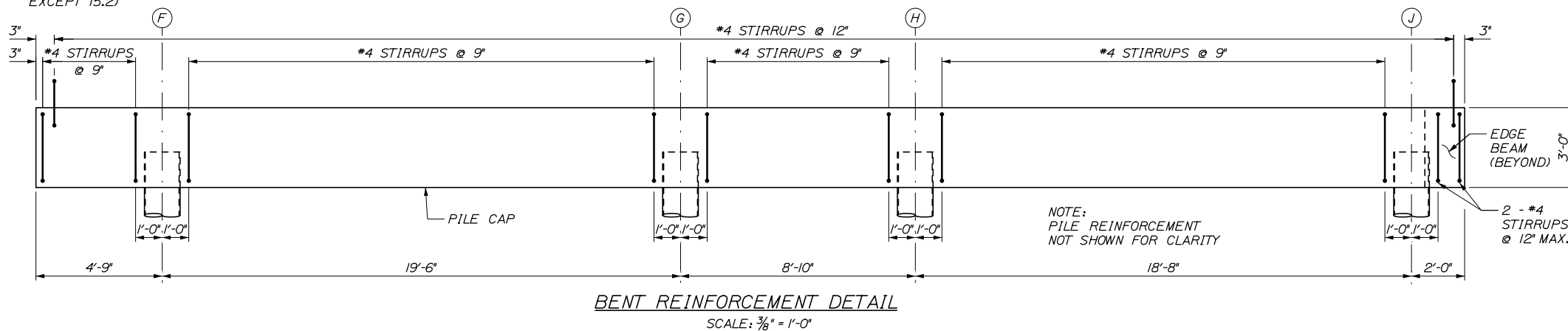
RAMP 2 CURB REMOVAL (PILE CAP 15)
SCALE: 1/2" = 1'-0"



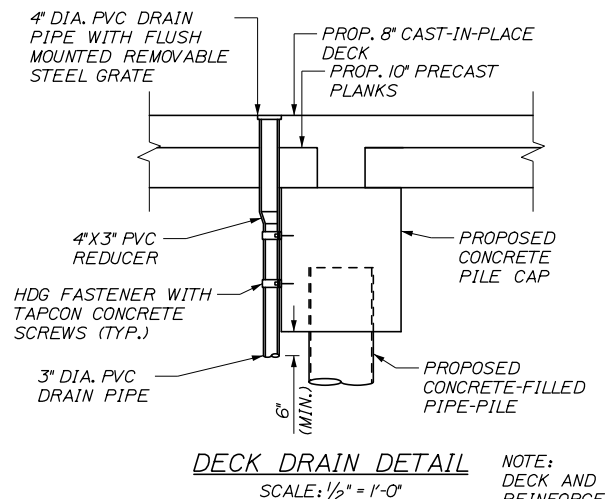
PILE CAP 31 DECK REMOVAL
SCALE: 1/2" = 1'-0"



PILE CAP LONGITUDINAL REINFORCEMENT DETAIL
SCALE: 3/8" = 1'-0"



BENT REINFORCEMENT DETAIL
SCALE: 3/8" = 1'-0"



DECK DRAIN DETAIL
SCALE: 1/2" = 1'-0"

NOTE:
DECK AND PILE CAP
REINFORCEMENT NOT
SHOWN FOR CLARITY.

99% DESIGN
December 15, 2017

HNTB

STATE OF MAINE
DEPARTMENT OF TRANSPORTATION
STP 2194(206)
WIN
021942.06

PROJ. MANAGER	DESIGN DETAILED	CHECKED/REVIEWED	DESIGNS DETAILED	REVISIONS 1	REVISIONS 2	REVISIONS 3	REVISIONS 4	FIELD CHANGES
	T. Poulin	P. Bishop C. Marin	J. Burns					
DATE	12/17	12/17						
BY								
SIGNATURE								
P.E. NUMBER								
DATE								

PORTLAND INTERNATIONAL MARINE TERMINAL
MAINE INTERMODAL PORT PRODUCTIVITY PROJECT
WHARF INFILL & BUILDING REMOVAL
CUMBERLAND COUNTY
PORTLAND
PILE CAP DETAILS

SHEET NUMBER

S03

16 OF 21